

# Digital Videocassette Recorder

---

**Operating Instructions** page 2<sup>GB</sup>

GB

Before operating the unit, please read this manual thoroughly and retain it for future reference.

**Mode d'emploi** page 2<sup>FR</sup>

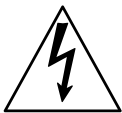
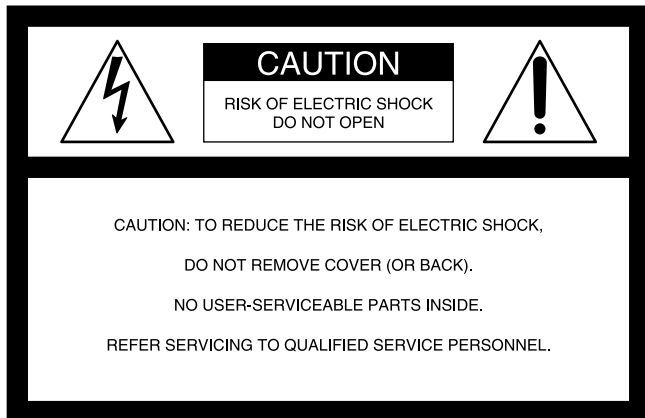
FR

Avant la mise en service de cet appareil, prière de lire attentivement ce mode d'emploi que l'on conservera pour toute référence ultérieure.

**DSR-40/40P**

## WARNING

To prevent fire or shock hazard, do not expose the unit to rain or moisture.



This symbol is intended to alert the user to the presence of uninsulated “dangerous voltage” within the product’s enclosure that may be of sufficient magnitude to constitute a risk of electric shock to persons.



This symbol is intended to alert the user to the presence of important operating and maintenance (servicing) instructions in the literature accompanying the appliance.

## CAUTION

You are cautioned that any changes or modifications not expressly approved in this manual could void your authority to operate this equipment.

### Note

This equipment has been tested and found to comply with the limits for a Class B digital device, pursuant to Part 15 of the FCC Rules. These limits are designed to provide reasonable protection against harmful interference in a residential installation. This equipment generates, uses, and can radiate radio frequency energy and, if not installed and used in accordance with the instructions, may cause harmful interference to radio communications. However, there is no guarantee that interference will not occur in a particular installation. If this equipment does cause harmful interference to radio or television reception, which can be determined by turning the equipment off and on, the user is encouraged to try to correct the interference by one or more of the following measures:

- Reorient or relocate the receiving antenna.
- Increase the separation between the equipment and receiver.
- Connect the equipment into an outlet on a circuit different from that to which the receiver is connected.
- Consult the dealer or an experienced radio/TV technician for help.

## Precautions

### Safety

- Operate the unit only on 120 V AC, 60 Hz .
- If anything falls into the cabinet, unplug the unit and have it checked by qualified personnel before operating it any further.
- Unplug the unit from the wall outlet if you do not intend to use it for an extended period of time. To disconnect the cord, pull it out by the plug, never by the cord.

### Installing

- Allow adequate air circulation to prevent internal heat buildup.
- Do not place the unit on surfaces (rugs, blankets, etc.) or near materials (curtains, draperies) that may block the ventilation slots.
- Do not install the unit near heat sources such as radiators or air ducts, or in a place subject to direct sunlight, excessive dust, mechanical vibration or shock.
- Do not install the unit in an inclined position. It is designed to be operated in a horizontal position only.
- The unit is not designed for portable use. Install it properly on a flat stable place. Placing it on its side or on a surface slanted more than 30 degrees may cause damage.
- Keep the unit and cassettes away from equipment with strong magnets, such as microwave ovens or large loudspeakers.
- Do not place heavy objects on the unit.
- If the unit is brought directly from a cold to a warm location, moisture may condense inside the VCR and cause damage to the video head and tape. When you first install the unit, or when you move it from a cold to a warm location, wait for about one hour before operating the unit.

## Information

### Compatible color systems

The DSR-40 is designed to record and play back using the NTSC color system. Recording of video sources based on other color systems cannot be guaranteed.

### Caution

Television programs, films, video tapes and other materials may be copyrighted. Unauthorized recording of such material may be contrary to the provisions of the copyright laws. Also, use of this recorder with cable television transmission may require authorization from the cable television transmission and/or program owner.

## Owner’s record

The model number is located at the rear and front of the unit and the serial number on the top. Record the serial number in the space provided below. Refer to these numbers whenever you call upon your Sony dealer regarding this product.

Model No. DSR-40 Serial No. \_\_\_\_\_

## For the customers in the U.S.A.

### Declaration of Conformity

Trade Name: SONY  
Model No.: DSR-40  
Responsible Party: Sony Electronics Inc.  
Address: 1 Sony Drive, Park Ridge,  
NJ, 07656 USA  
Telephone No.: 201-930-6970

This device complies with Part 15 of the FCC Rules. Operation is subject to the following two conditions: (1) This device may not cause harmful interference, and (2) this device must accept any interference received, including interference that may cause undesired operation.

## For DSR-40P

### WARNING

To prevent fire or shock hazard, do not expose the unit to rain or moisture.

To avoid electrical shock, do not open the cabinet. Refer servicing to qualified personnel only.

## Precautions

### Safety

- This unit operates on 220 – 240 V AC, 50 Hz. Check that the unit's operating voltage is identical with your local power supply.
- If anything falls into the cabinet, unplug the unit and have it checked by qualified personnel before operating it any further.
- The unit is not disconnected from the mains as long as it is connected to the mains outlet, even if the unit itself has been turned off.
- Unplug the unit from the wall outlet if you do not intend to use it for an extended period of time. To disconnect the cord, pull it out by the plug, never by the cord.

### Installing

- This unit is equipped with a fan at the rear. Do not insert objects nor touch the fan during operation.
- To prevent internal heat buildup, install the unit at least 5 cm away from the wall, and dust the unit periodically.
- Do not place the unit on surfaces (rugs, blankets, etc.) or near materials (curtains, draperies) that may block the ventilation slots.
- Do not install the unit near heat sources such as radiators or air ducts, or in a place subject to direct sunlight, excessive dust, mechanical vibration or shock.
- The unit is not designed for portable use. Install it properly on a flat stable place. Placing it on its side or on a surface slanted more than 30 degrees may cause damage.

- Keep the unit and cassettes away from equipment with strong magnets, such as microwave ovens or large loudspeakers.
- Do not place heavy objects on the unit.
- If the unit is brought directly from a cold to a warm location, moisture may condense inside the VCR and cause damage to the video head and tape. When you first install the unit, or when you move it from a cold to a warm location, wait for one to two hours before operating the unit.

### Caution

Television programmes, films, video tapes and other materials may be copyrighted. Unauthorised recording of such material may be contrary to the provisions of the copyright laws. Also, use of this recorder with cable television transmission may require authorisation from the cable television transmitter and/or programme owner.

### Compatible colour systems

The DSR-40P is designed to record and play back using the PAL colour system. Recording of video sources based on other colour systems cannot be guaranteed.

### For the customers in Europe

This product with the CE marking complies with both the EMC Directive (89/336/EEC) and the Low Voltage Directive (73/23/EEC) issued by the Commission of the European Community.

Compliance with these directives implies conformity to the following European standards:

- EN60065: Product Safety
- EN55103-1: Electromagnetic Interference (Emission)
- EN55103-2: Electromagnetic Susceptibility (Immunity)

This product is intended for use in the following Electromagnetic Environment(s):

E1 (residential), E2 (commercial and light industrial), E3 (urban outdoors) and E4 (controlled EMC environment, ex. TV studio).

### For the customers in the Netherlands Voor de klanten in Nederland



Bij dit product zijn batterijen geleverd. Wanneer deze leeg zijn, moet u ze niet weggooien maar inleveren als KCA.

# Table of Contents

## Chapter 1

### Overview

|   |           |
|---|-----------|
| <b>Features .....</b>                       | <b>6</b>  |
| Notes on Video Cassettes .....              | 8         |
| Notes on Recording / Playing .....          | 9         |
| <b>Location and Function of Parts .....</b> | <b>10</b> |
| Front Panel .....                           | 10        |
| Rear Panel .....                            | 14        |

## Chapter 2

### Playback and Recording

|                                 |           |
|---------------------------------|-----------|
| <b>Playback .....</b>           | <b>16</b> |
| Connections for Playback .....  | 16        |
| Settings for Playback .....     | 18        |
| Playback Procedure .....        | 19        |
| Playback Functions .....        | 20        |
| <b>Recording .....</b>          | <b>23</b> |
| Connections for Recording ..... | 23        |
| Settings for Recording .....    | 25        |
| Recording Procedure .....       | 27        |

## Chapter 3

### Using the Unit as a Player in an Editing System

|   |           |
|---|-----------|
| <b>Notes on Usage in the Editing System .....</b>         | <b>30</b> |
| <b>Connections for a Digital Non-linear Editing .....</b> | <b>32</b> |
| <b>Connections for a Cut Editing System .....</b>         | <b>33</b> |
| <b>Connections for an A/B Roll Editing System .....</b>   | <b>35</b> |
| <b>Adjusting an Edit Timing .....</b>                     | <b>40</b> |
| <b>Adjusting the Sync and Subcarrier Phases .....</b>     | <b>44</b> |
| <b>Adjusting Signals .....</b>                            | <b>47</b> |

## Chapter 4

### Using the Unit as a Recorder in an Editing System

|  |           |
|--|-----------|
| <b>Using the Unit as a Recorder<br/>with FXE-100/100P/120/120P .....</b> | <b>49</b> |
|--|-----------|

---

## **Chapter 5**

### **Menu Settings**

|   |           |
|---|-----------|
| <b>Changing Menu Settings .....</b>           | <b>51</b> |
| Changing the SET UP MENU Settings .....       | 51        |
| Menu Contents .....                           | 51        |
| Recommended settings in the SET UP menu ..... | 54        |

---

## **Chapter 6**

### **Maintenance and Troubleshooting**

|                              |           |
|------------------------------|-----------|
| <b>Alarm Messages .....</b>  | <b>55</b> |
| <b>Troubleshooting .....</b> | <b>56</b> |
| <b>Notes on Use .....</b>    | <b>57</b> |

---

## **Appendix**

|   |           |
|---|-----------|
| <b>Specifications .....</b>                       | <b>60</b> |
| <b>Compatibility of DVCAM and DV Format .....</b> | <b>62</b> |
| <b>Glossary .....</b>                             | <b>64</b> |
| <b>Index .....</b>                                | <b>66</b> |

**GB**

The DSR-40/40P is a 1/4-inch digital videocassette recorder that uses the DVCAM digital recording format. This system achieves stable, superb picture quality by digitally processing video signals that are separated into color difference signals and luminance signals (component video).

When connected to Sony Edit Station™, the unit serves as part of powerful non-linear editing system<sup>1)</sup>. The unit is equipped with a full-fledged analog interface to support hybrid systems that combine conventional analog equipment with digital equipment.

The DSR-40/40P's main features are described below.

## DVCAM Format

DVCAM is based on the consumer DV format, which uses the 4:1:1 component digital format (DSR-40) or the 4:2:0 format (DSR-40P), and provides a 1/4-inch digital recording format for professional use.

## High picture quality, high stability

Video signals are separated into color difference signals and luminance signals, which are encoded and compressed to one-fifth size before being recorded to ensure stable and superb picture quality.

Because the recording is digital, multi-generation dubbing can be performed with virtually no deterioration of quality.

## Wide track pitch

The recording track pitch is 15 μm, fully 50 percent wider than the DV format's 10-μm track pitch. Thanks to this feature, the DVCAM format sufficiently meets the reliability and precision requirements of professional editing.

### 1) Non-linear editing

This is an editing method that uses video and audio signals that have been digitally encoded and recorded on a hard disk as digital data. When compared with conventional (linear) editing methods, non-linear editing offers vastly improved efficiency in editing operations, such as by eliminating tape transport time.

## High-quality PCM digital audio

PCM recording makes for a wide dynamic range and a high signal-to-noise ratio, thereby enhancing sound quality.

There are two recording modes: 2-channel mode (48-kHz sampling and 16-bits linear code), which offers sound quality equivalent to the DAT (Digital Audio Tape) format, or 4-channel mode (32-kHz sampling and 12-bits nonlinear code).

## Playback compatibility with DV format

A DV cassette recorded on a DV-format VCR can be played back on this unit. (Cassettes recorded in LP mode cannot be played back.)

## Choice of two cassette sizes

The unit can use both standard-size and mini-size DVCAM cassettes.

- According to cassette size, it automatically changes the position of the reel drive plate.
- The maximum recording/playback times are 184 minutes for standard size cassettes and 40 minutes for mini-size cassettes.

## Facilities for High-efficiency Editing

The unit provides an abundance of functions that enhance editing efficiency and precision.

## Remote control

The unit can be operated by remote control from an editing controller that supports the RS-422A interface or from a SIRCS<sup>2)</sup>-system remote control unit such as the optional DSRM-10, or DSRM-20.

### 2) SIRCS (Sony Integrated Remote Control System)

A command protocol to remote control Sony professional videocassette recorders/players.

---

## High-speed search function

If you use the optional remote control unit, the unit has a picture search function that allows you to view color picture at playback speeds up to 14 times normal speed (DSR-40) or 17 times normal speed (DSR-40P) in forward and reverse directions.

When remote-controlling this unit in shuttle mode from an editing controller or a remote controller, you can search at any speed in the range 0 (still) to 14 times normal (DSR-40) or 17 times normal (DSR-40P) in both directions. You can also search frame-by-frame in jog mode.

You can also hear playback audio.

---

## Jog audio function

If you use the optional remote control unit, audio can be monitored at various playback speeds when in jog mode. The audio signals are once stored in memory and then played back at the same rate as the search speed. This allows you to use audio playback to find the desired edit points.

## Other Features

---

### Analog output interfaces

The unit comes with analog output interfaces enabling it to be connected to analog video and audio equipment.

- Analog video: Include composite video, component video (Y/R-Y/B-Y), and S-video outputs.
- Analog audio: The XLR-type (3-pin) analog audio outputs are provided.

---

### “Power-on playback” function (in repeat playback mode)

You can start playback immediately when the unit turns on.

---

## Compact size

The unit achieves compact size suitable for using on a demonstration or a bridal. The unit is also equipped with basic functions that are needed for videocassette recorders and players used in professional digital video editing systems.

---

## Menu system for functionality and operation settings

The unit provides a menu system to make its various functions easier to use and set up its operation conditions.

---

## Superimposition function

Time code, operation mode indications, menus, alarm messages, and other text data can be superimposed and output in analog composite video signals.

---

## Easy maintenance function

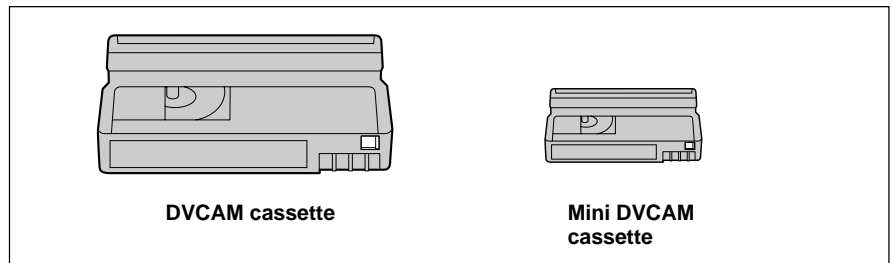
The unit's digital hours meter functions include two kinds of tally operations for head drum usage hours, and tape threading/unthreading times. The tally results can be viewed on the video monitor.

## Notes on Video Cassettes

### Usable cassettes

Use Standard-DVCAM cassettes or Mini-DVCAM cassettes with this VCR. PDV-184ME can record programs for 184 minutes and PDVM-40ME can record for 40 minutes.

You can get the highest quality pictures with this digital videocassette recorder using DVCAM cassettes. You may not be able to get as good quality with other cassettes. We recommend using DVCAM cassettes so that you can record your one-time events in highest quality.



### Cassette memory

Cassette memory is an optional feature that is mounted on some Standard DVCAM cassettes and Mini DVCAM cassettes. When you record a program, the recording date and time, and the programs' position on the tape are stored in the cassette memory so that you can quickly locate the program later on. **CI/16K** indicates that you can use the cassettes 16 Kbits of data can be stored on. On this VCR, you can use the cassettes up to 16 Kbits of data can be mounted on.

### To save a recording

To prevent accidental erasure of a recording, slide in the safety switch on the cassette so that the red portion becomes visible. To record on a tape, slide out the switch so that the red portion is hidden.



**Note**

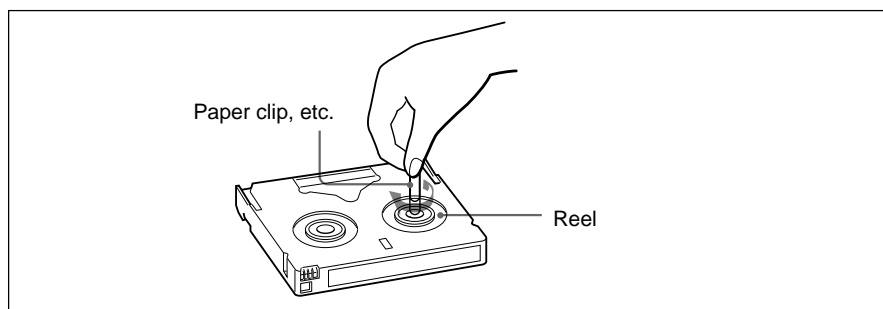
**DVCAM**<sup>™</sup>, **DN**, **Mini DN** and **CI** are trademarks.



---

## Checking the tape for slack

Using a paper clip or a similar object, turn the reel gently in the direction shown by the arrow. If the reel does not move, there is no slack. Insert the cassette into the cassette compartment, and after about 10 seconds take it out.



---

## Notes on Recording / Playing

---

### Copyright precautions

#### On recording

You cannot record any software having copyright protection signals on this VCR. If you start recording protected video and audio signals, a warning message appears on the monitor screen and the VCR stops recording.

#### On playback

When you play back software having copyright protection signals on this VCR, you may not be able to copy it onto other equipment.

---

### Limitations caused by the difference in format

This VCR can record, play back and edit the tapes recorded in DVCAM format. It can also play back the tapes recorded in DV format (SP mode). However, due to the difference in format, you may not be able to record or edit some tapes affected by recording conditions of the tape (e.g., A tape originally recorded in DV format is dubbed in DVCAM format). For details, refer to “Compatibility of DVCAM and DV format” on page 62.

---

### No compensation for contents of the recording

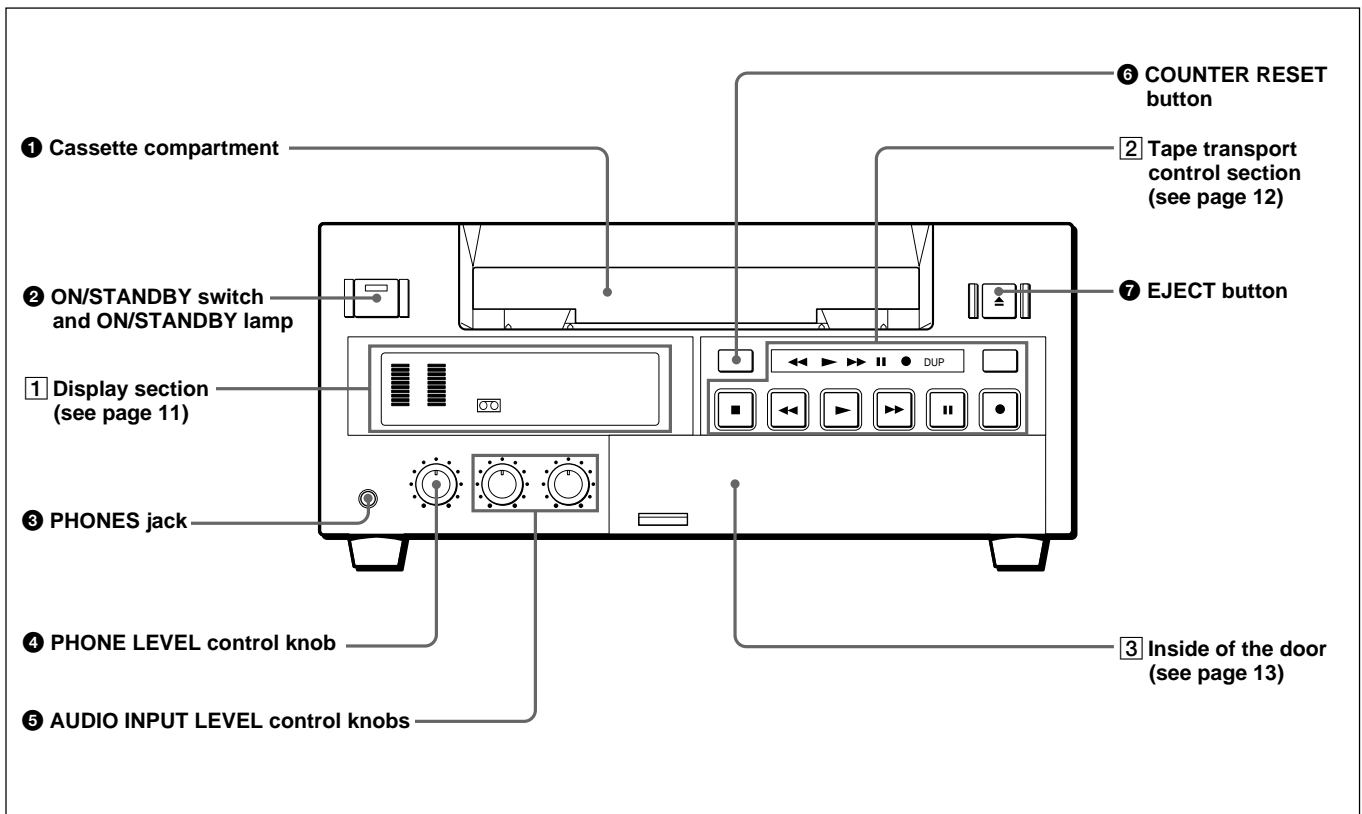
Contents of the recording cannot be compensated for if recording or playback is not made due to a malfunction of the VCR, video tape, etc.

#### Note

You cannot play back a DVCAM tape recorded in other color systems on this VCR.

# Location and Function of Parts

## Front Panel



### 1 Cassette compartment

Accepts standard-size or mini-size DVCAM digital videocassettes. When using a mini-size cassette, insert it into the center of the compartment.

*For details of usable cassettes, see page 8.*

### 2 ON/STANDBY switch and ON/STANDBY lamp

Press this switch to turn on the power, and the ON/STANDBY lamp lights in green. Press it again to turn to standby mode, and the lamp lights in red.

#### Note

When the REMOTE/LOCAL switch is set to REMOTE, you cannot turn the unit to standby mode.

### 3 PHONES jack (stereo minijack)

Connect stereo headphones for headphone monitoring during recording or playback.

The audio signal you want to monitor can be selected with the AUDIO MONITOR selector inside of the door (3).

### 4 PHONE LEVEL control knob

Controls the volume of the headphones connected to the PHONES jack.

### 5 AUDIO INPUT LEVEL control knobs

When recording, you can use these knobs to set audio input levels for CH-1 (channel 1) and CH-2 (channel 2), respectively.

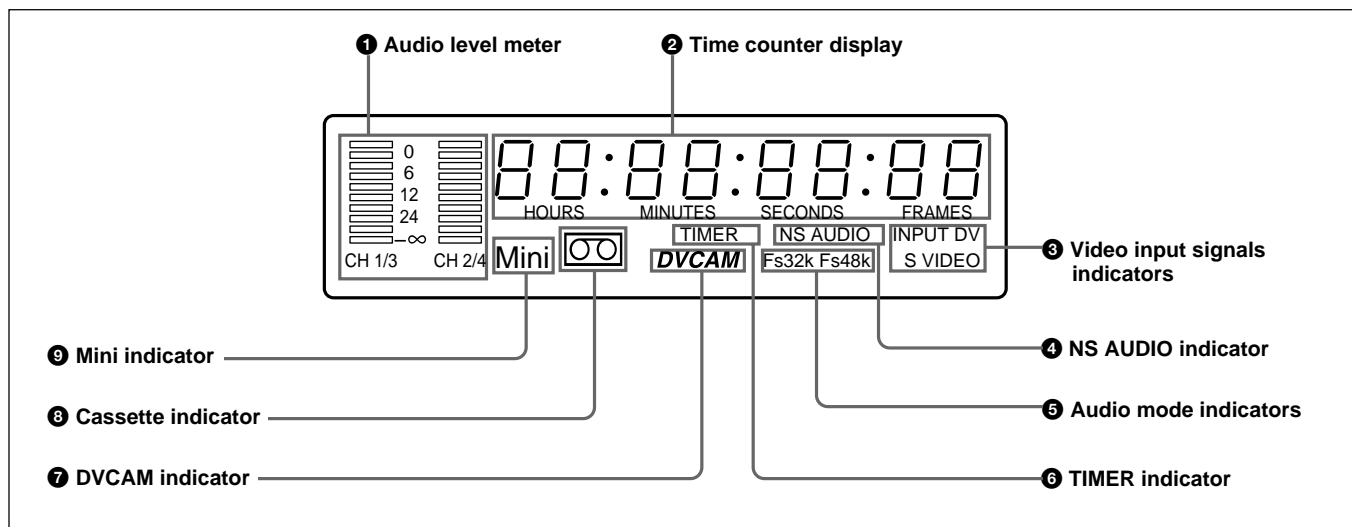
### 6 COUNTER RESET button

Press this button to reset the tape counter in the display window to "0:00:00 (0H00M00s)". This button does not work when displaying the time code or the remaining time.

### 7 EJECT button

Press this button to eject a cassette.

## 1 Display section



### 1 Audio level meter

Indicates the recording level during recording or EE mode, and the playback level during playback. When the audio level exceeds 0 dB, the red indicator lights.

#### Note

If you play back the tape whose audio was only recorded on channel 2, the audio level meter for CH2/4 may not function.

### 2 Time counter display

Indicates the following:

- Time data: count value of the time counter, time code and remaining time.
- Alarm messages (*see page 55*).
- Messages for self-diagnosis function (*see page 59*).

#### Notes

- For DSR-40P: Time code is set to the non drop frame mode only.
- Time code is indicated as follows:  
**Drop frame:** “00:00.00:00” (DSR-40 only)  
**Non drop frame:** “00:00:00:00”

### 3 Video input signals indicators

Indicates the currently selected input signals. INPUT VIDEO, INPUT S VIDEO, or INPUT DV lights.

### 4 NS (Non Standard) AUDIO indicator

Lights when the VCR plays back a tape whose audio recording was made in the unlock mode, or when unlock mode signals are input through the DV jack.

*For details of unlock mode, see page 62.*

### 5 Audio mode indicators

Indicates the audio mode during playback or recording or while in EE mode.

- During playback it indicates the audio mode in which the tape was recorded.
- During recording or while in EE mode, it indicates the currently selected audio recording mode. You can select audio recording mode by setting “AUDIO MODE” menu (*see page 53*).

**Fs32k:** Lights when playing the tapes recorded in 4-channel mode, or recording a tape in 4-channel mode.

**Fs48k:** Lights when playing the tapes recorded in 2-channel mode, or recording a tape in 2-channel mode.

#### Note

When recording in 4-channel mode on this VCR, audio signals are recorded only in channels 1/2.

### 6 TIMER indicator

Lights when setting the TIMER switch to REPEAT.

### 7 DVCAM indicator

Lights except playing back the DV-formatted tapes.

### 8 Cassette indicator

Lights when inserting a digital video cassette available for this VCR. It flashes when ejecting a cassette.

### 9 Mini indicator

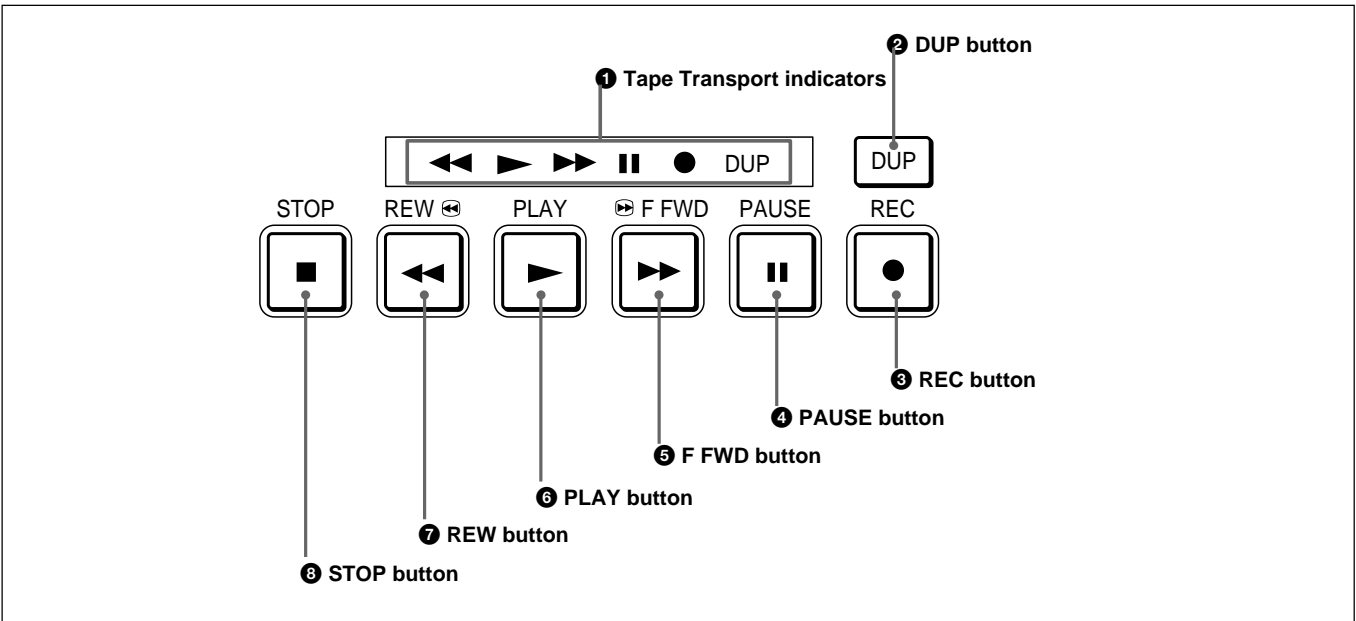
Lights when inserting mini-size digital video cassette.

## Location and Function of Parts

### 2 Tape transport control section

#### Note

When the tape reaches to its beginning or its end by rewinding or fast-forwarding, the unit turns to playback pause mode. Then, the playback pause mode is released after the time which is set at “STILL TIMER” menu (See page 52).



#### 1 Tape Transport indicators

#### 2 DUP (duplicate) button

Use this button to make a work tape having the same time codes as the source tape.  
*For details on duplication, see page 28.*

#### 3 REC (record) button

When you press the PLAY button while holding down this button, the indicator lights and recording begins. To set the VCR to recording pause mode, press the PAUSE button while holding down this button.

#### 4 PAUSE button

When you press this button, the indicator lights, and the VCR is set to pause mode.

#### 5 F FWD (fast forward) button

When you press this button, the indicator lights and the tape is fast forwarded. During fast forward, the picture does not appear on the monitor (you can see the picture of the EE mode during fast forward). To search forward, hold this button down during fast forward.

#### 6 PLAY button

When you press this button, the indicator lights and playback begins.  
If you press this button while holding down the REW button during stop, the tape is rewound to its beginning and starts playing automatically (during rewind, the REW indicator lights and the PLAY indicator flashes).

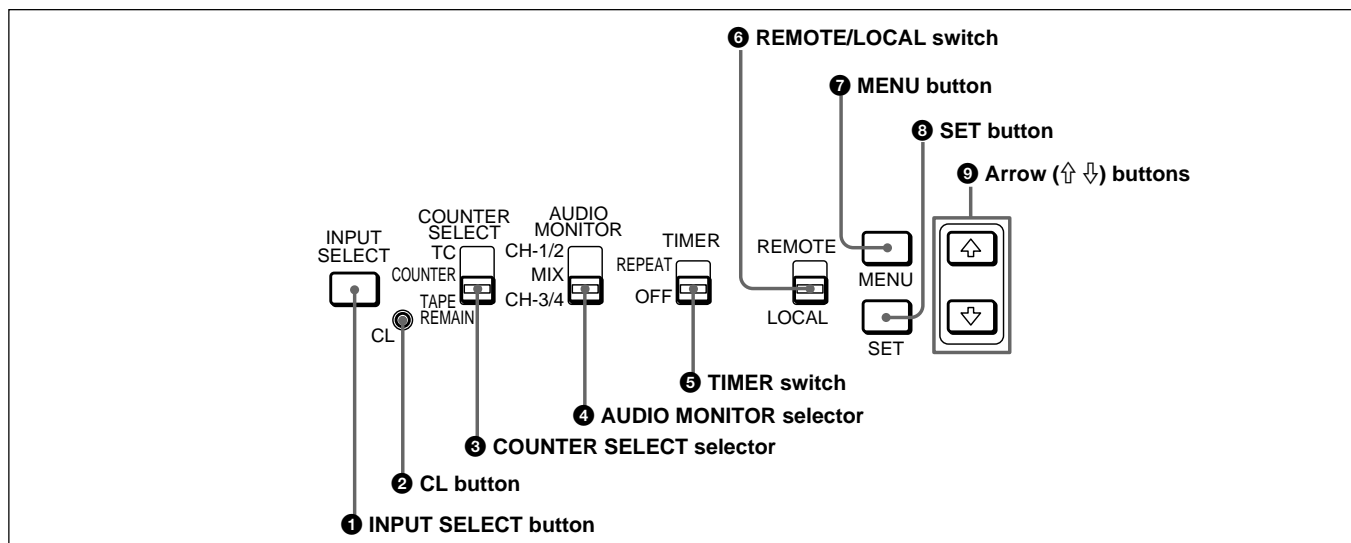
#### 7 REW (rewind) button

When you press this button, the indicator lights and the tape starts rewinding. During rewind, the picture does not appear on the monitor (you can see the picture of the EE mode during rewind). To search backward, hold this button down during rewind.  
If you press the PLAY button while holding down this button during stop, the tape is rewound to its beginning and starts playing automatically (during rewind, the REW indicator lights and the PLAY indicator flashes).

#### 8 STOP button

Press this button to stop the current tape transport operation.

### 3 Inside of the door



#### 1 INPUT SELECT button

Selects input signals. Each press of this button cycles through three video signal selection options: video, S-video, and DV input. When you select one of these options, the corresponding indicator in the display lights up.

#### 2 CL (Clear) button

Press this button to make the unit to the state of reconnecting the AC power cord. When you press this button, the setting in the menu is not initialized.

#### 3 COUNTER SELECT selector

Select the type of time data in the time counter display.

**TC:** Time code

**COUNTER:** Count value of the time counter

**TAPE REMAIN:** Remaining time

#### 4 AUDIO MONITOR selector

Use to select the audio track you want to hear when playing back a tape recorded in 4-channel mode (Fs32k).

**CH-1/2:** Channels 1/2 only

**MIX:** Channels 1/2 and channels 3/4 (mix)

**CH-3/4:** Channels 3/4 only

#### 5 TIMER switch

Use to select Auto Repeat using an external AC timer (not supplied).

**REPEAT:** When the power is supplied to this VCR, a tape rewinds to its beginning automatically and playback starts. The VCR repeats the playback from the beginning to the first index (if there is no index on the tape, to the unrecorded portion; if no unrecorded portion, to the tape end). Auto repeat also functions if you set this switch to REPEAT during playback.

**OFF:** Auto Repeat is released.

#### 6 REMOTE/LOCAL switch

Selects whether the unit is operated from its front panel or from external (remote) equipment.

**REMOTE :** The unit is operated from an editing controller connected to the REMOTE connector. Available tape transport buttons (on the front panel or optional remote control unit) are set in the menu.

**LOCAL :** The unit is operated from its front panel, or from a SIRCS-system remote control unit connected to the CONTROL S jack.

## Location and Function of Parts

### 7 MENU button

Press this button to display the menu on the monitor screen. Press it again to return from the menu display to the usual display.

#### Note

If you set the REMOTE/LOCAL switch to REMOTE while the menu display is on the monitor, it returns to the usual display.

On how to use the menu, see Chapter 5 “Menu Settings”.

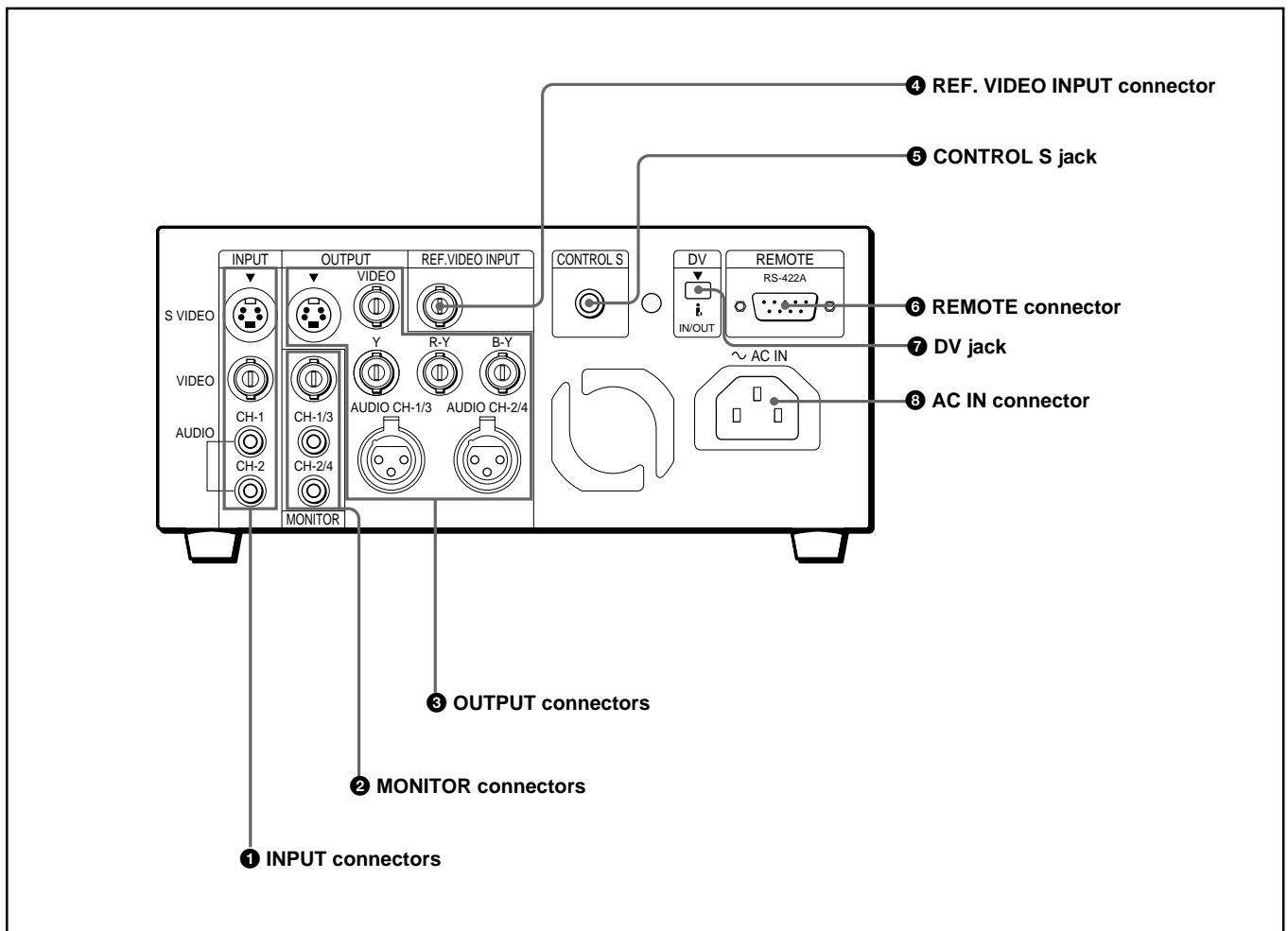
### 8 SET button

Press this button to save selected menu items to the unit’s memory.

### 9 Arrow (↑ ↓) buttons

Use these buttons to move around the menu items.

## Rear Panel



### 1 INPUT connectors

Input video and audio signals. To connect a VCR equipped with the S-video output jack, use the S VIDEO jack on this VCR.

### 2 MONITOR connectors

Output video and audio signals for monitoring.

### 3 OUTPUT connectors

Output video and audio signals. To connect a VCR equipped with the S-video input jack, use the S VIDEO jack on this VCR. To connect a VCR equipped with the component input connectors, use the Y, R-Y, B-Y connectors on this VCR.

**Note on EE mode**

When the S-video, video, or DV signal is input, this VCR cannot output component signals. You can only output the component signal during normal playback.

**④ REF. VIDEO INPUT connector (BNC-type)**

Input a reference video (black burst) signal.

**⑤ CONTROL S jack**

When controlling this VCR from an optional remote control unit such as the DSRM-10/20 (not supplied), connect the unit to this jack.

**Note**

SIRCS-system has the same function as CONTROL S-system.

**⑥ REMOTE connector (D-sub 9-pin)**

Connect an editing controller with the RS-422A interface for remote-control of this VCR.

**⑦ DV jack**

The DV jack is i.LINK compatible. Use when the equipment connected to the VCR has a DV jack. If you connect the VCR and the other equipment using DV jacks, you can minimize deterioration of picture quality during dubbing, or capturing still pictures by digital processing. For details, refer to the instruction manual of the equipment you use.

**Note**

**i** is a trademark of Sony Corporation and indicates that this product is in agreement with IEEE1394-1995 specifications and their revisions.

**⑧ AC IN connector**

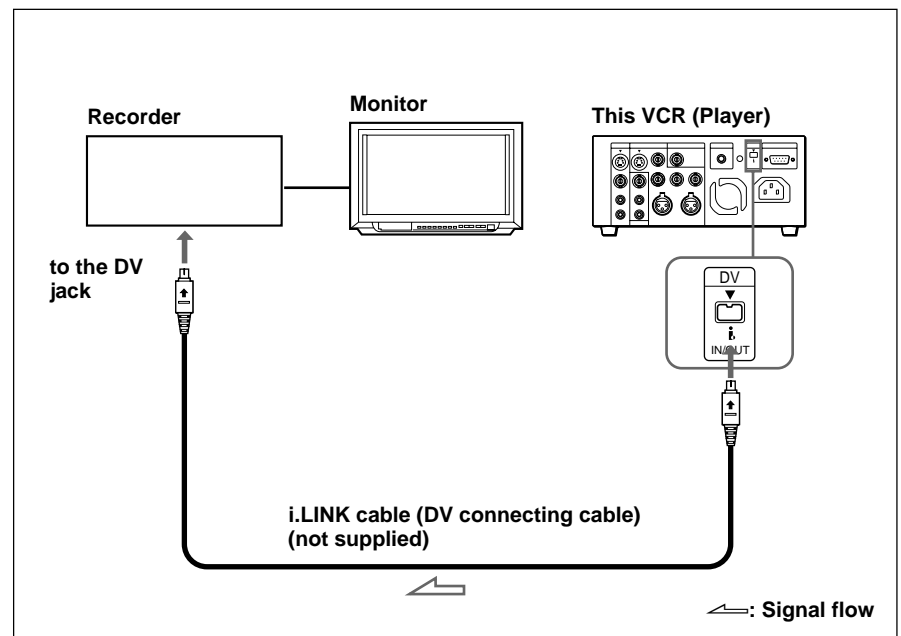
Connect to an AC power outlet using the supplied power cord.

This section describes the necessary connections, settings and operations to perform playback on this unit. The same settings and operations apply whether you are using the unit as part of an editing system, for dubbing, or as a stand-alone videocassette player.

## Connections for Playback

### To digital video equipment with the DV jack

The video and audio signals are sent with hardly any degradation, enabling high-quality recording. The signal flow is automatically detected so you need not make separate connections for input and output.

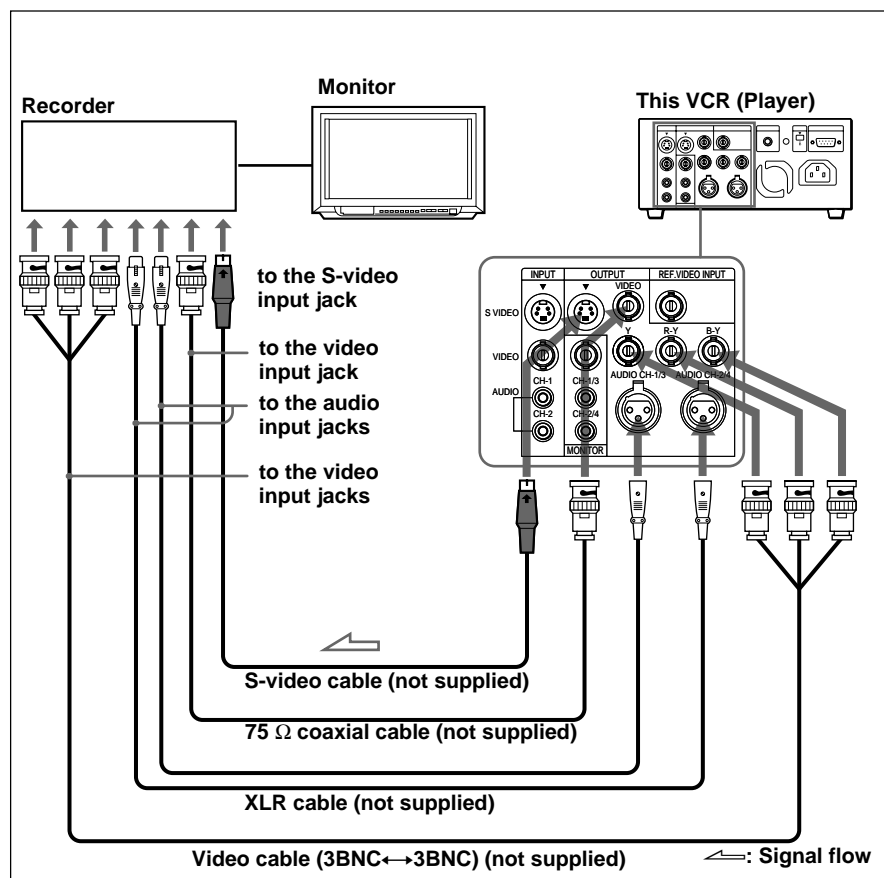


#### Notes

- The external lock function of this unit only supports the standard sync signals. With the DV connection, select the DV input with the INPUT SELECT button on this VCR to prevent malfunction resulting from noise, etc.
- Set DV EE OUT in the menu to OFF (see page 52).
- With the DV connection, the sound is recorded in the same audio recording mode as that of the source tape.
- With the DV connection, tape information (recording date, camcorder data, etc.) recorded on the source tape is transmitted from this VCR (player).



## To video equipment without the DV jack

**Notes**

- When you connect output jacks of the recorder to input jacks of this VCR, select the input correctly to prevent a humming noise.
- Distorted signals (e.g., when played back at a speed other than normal) will not be recorded properly.
- The indications (Time code, alarm messages, and menu, etc.) displayed on the monitor screen are output only via the MONITOR connector.
- If the DV input is selected, you cannot perform the playback synchronized with the video reference (black burst) signal.

## Settings for Playback

---

### Preparation on the player (this VCR)

- 1** Power on the video monitor, then set the monitor's input according to the input signals from the recorder.
- 2** Set up the recorder.  
*For details, see "Preparation on the recorder" below.*
- 3** Power on this unit by pressing the ON/STANDBY switch.  
  
The ON/STANDBY lamp lights in green.
- 4** When you play back a tape recorded in 4-channel mode (Fs 32k), set the AUDIO MONITOR selector to MIX (*see page 13*). Then select the precise balance between the tracks with the AUDIO MIX BALANCE in the menu (*see page 53*).

#### Notes

- With the DV connection, the playback VCR's AUDIO MONITOR (sound selection) and AUDIO MIX BALANCE (audio balance adjustment) do not function on the source audio output through the DV jack.
- You cannot change the input signal selection during playback or playback pause mode.

---

### Preparation on the recorder

- Insert a tape for recording.
- Select the video and audio input signals to be recorded.

#### Note

Editing is not possible with a tape that is copyright protected.

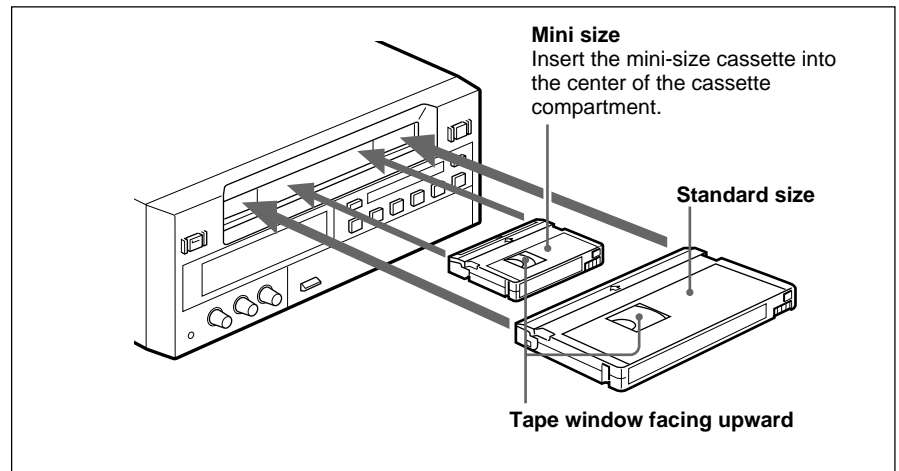
## Playback Procedure

### Notes

- When controlling this unit from an editing controller connected to the REMOTE connector, set the REMOTE/LOCAL switch to REMOTE. When not, set it to LOCAL.
- Do not insert the cassette forcibly. The VCR may be damaged.

- 1** After checking the tape for slack, hold the cassette so that the tape window is facing upward, then insert it into this unit as illustrated below.

*For details on checking the tape for slack, see page 9.*



The cassette is automatically drawn into the unit.

- 2** Press PLAY.

This starts the playback operation.

## Playback Functions

You can enjoy various playback functions using the optional remote control unit.

*For details, refer to the operating instructions supplied with the remote control unit.*

### **Playing at various speeds (JOG)**

You can play at various speeds, or frame by frame.

### **Searching (SHUTTLE)**

You can easily locate the desired scene, and you can quickly and accurately determine edit points.

### **Searching using the index function (DSRM-20 only)**

Three kinds of search are available on this VCR:

- Searching for the beginnings of recordings: Index search
- Searching for a point on the tape where the recorded date changes: Date search
- Searching for scenes recorded in the photo mode with a digital camcorder: Photo search

#### **Note**

When S-video or video input is selected and no signal is input in search mode, the search screen becomes noisy. In such cases, input the signal or select DV input.

*For a description of search operations via external equipment, see the equipment's operating instructions.*

### **Displaying tape information (DSRM-20 only)**

If you record on a tape using a Sony digital camcorder DSR-200/200P/200A/200AP/PD100/PD100P, camcorder data (the shutter speed, program AE mode, white balance, iris and gain) can be recorded on the tape. You can check these data during playback on this VCR.

## Auto Repeat

This VCR can repeat the playback of all, or a part of the tape.

- 1 Set the TIMER switch on the front panel to REPEAT.

The TIMER indicator on the front panel lights.

- 2 Press REW to rewind the tape to its beginning.

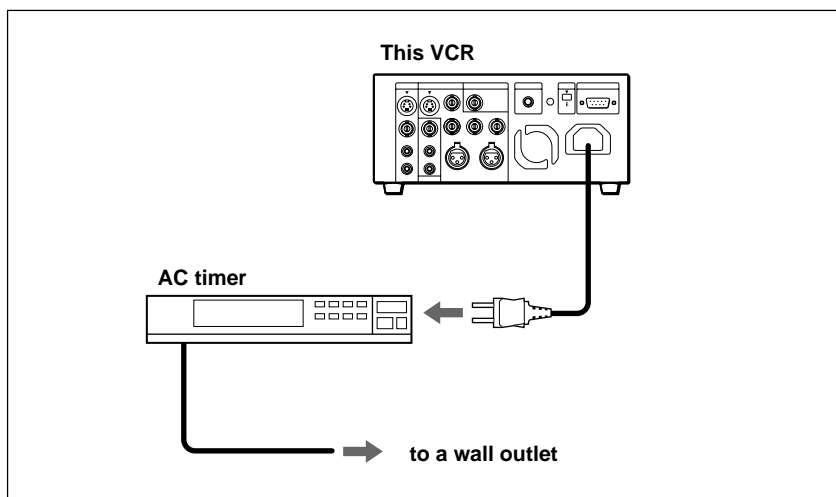
- 3 Press PLAY.

Playback starts. The VCR repeats the playback from the beginning to the first index (if there is no index on the tape, to the unrecorded portion; if no unrecorded portion, to the tape end).

### Auto Repeat using an external AC timer

If you connect an external AC timer (not supplied) to this VCR, you can repeat playback automatically at the preset time.

- 1 Connect an external AC timer (not supplied) to this VCR.



- 2 Set the TIMER switch on the front panel to REPEAT.

The TIMER indicator in the display window lights.

- 3 Set the start time using the external AC timer.

At the preset time, the power turns on, and Auto Repeat playback starts automatically within one minute. The VCR repeats the playback from the beginning to the first index (if there is no index on the tape, to the unrecorded portion; if no unrecorded portion, to the tape end).

## Notes

- The VCR cannot search for an index or unrecorded portion within 20 seconds from the beginning of the tape.
- While a tape is running, do not turn off the power using an AC timer. The VCR and a tape may be damaged. When turning off the power of the VCR, make sure to press the STOP button on this VCR first to stop the tape transport, then turn off the power.

## To stop Auto Repeat

Press the STOP button.

## To release Auto Repeat mode

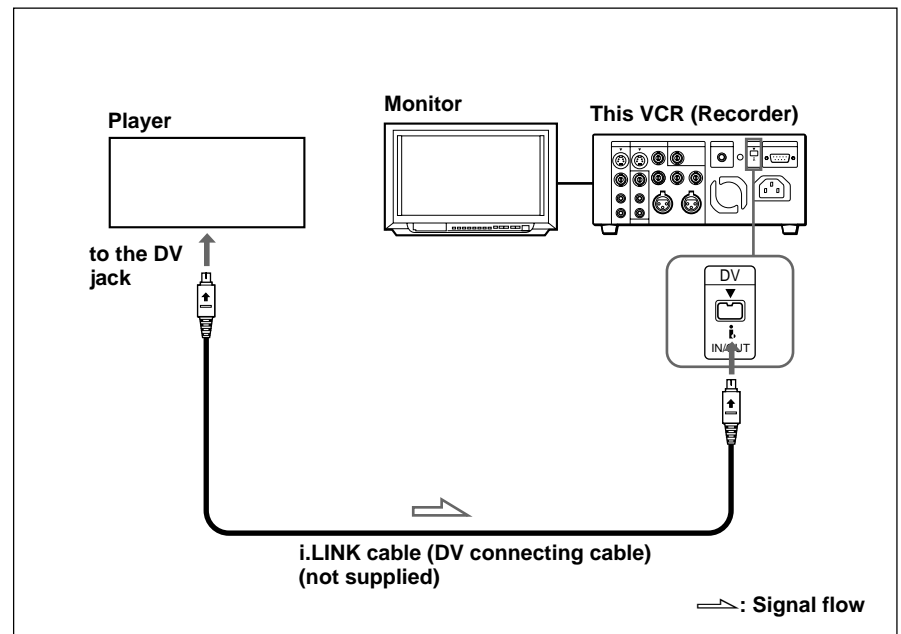
Set the TIMER switch to OFF.

This section describes the necessary connections, settings and operations to perform recording on this unit. The same settings and operations apply whether you are using the unit as part of an editing system, for dubbing, or as a stand-alone recorder.

## Connections for Recording

### To digital video equipment with the DV jack

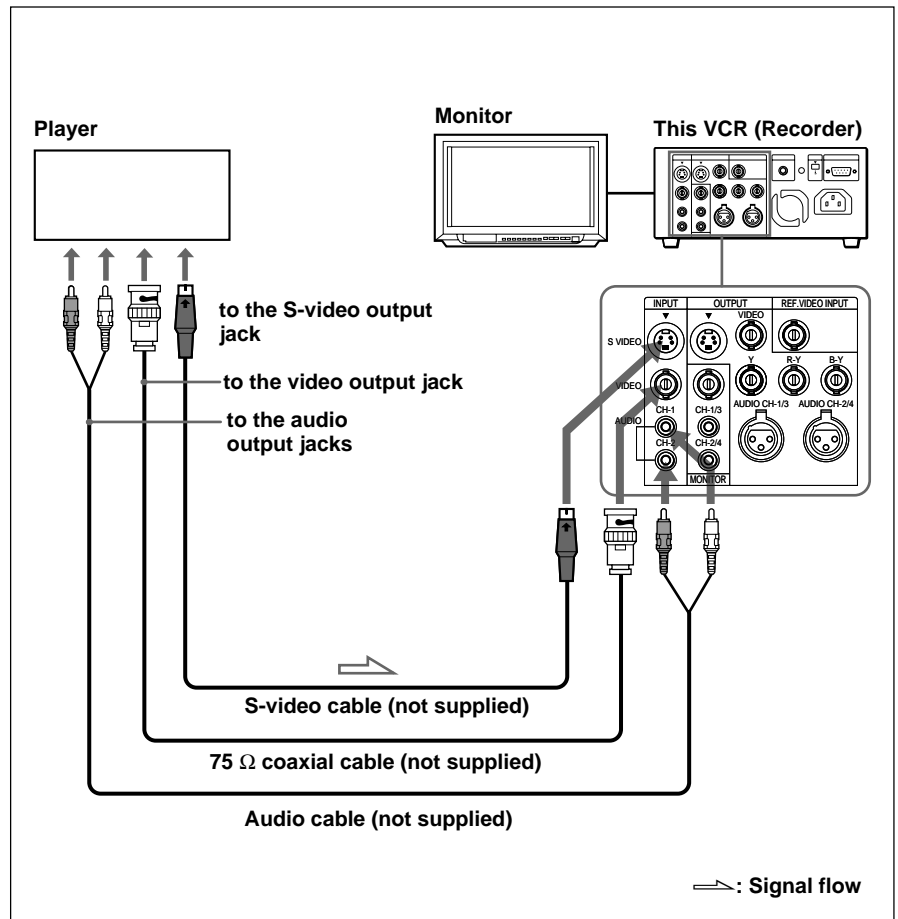
The video and audio signals are sent with hardly any degradation, enabling high-quality recording. The signal flow is automatically detected so you need not make separate connections for input and output.



#### Notes

- With the DV connection, the sound is recorded in the same audio recording mode as that of the source tape. To record in a different audio recording mode from the source tape, use the INPUT connectors instead.
- With the DV connection, tape information (recording date, camcorder data, etc.) recorded on the source tape is transmitted from the other VCR (player). As a result, when you play back a recorded tape and press the DATA CODE button on the optional DSRM-20 remote control unit, the same tape information recorded on the source tape is displayed on the monitor screen. However, contents of the cassette memory are not transmitted. In addition, the time code is newly recorded on the tape on this VCR, except when copying a tape in Duplication mode.

## To video equipment without the DV jack



### Notes

- When recording the analog input signals, this VCR can digitally output the signals from the DV jack for backup. Set DV EE OUT in the menu to ON (see page 52).
- When you connect output jacks of this VCR to input jacks of the player, select the input correctly to prevent a humming noise.
- Distorted signals (e.g., when played back at a speed other than normal) will not be recorded properly.
- The indications (Time code, alarm messages, and menu, etc.) displayed on the monitor screen are output only via the MONITOR connector.



## Settings for Recording

### Preparation on the recorder (this VCR)

#### Notes

- Before recording, set the clock on the VCR so that the recording time can be written into the index signal. You can set the clock by setting the CLOCK SET menu (*see page 53*).
- When controlling this unit from an editing controller connected to the REMOTE connector, set the REMOTE/LOCAL switch to REMOTE. When not, set it to LOCAL.
- Editing is not possible with a tape that is copyright protected.

**1** Power on the video monitor, then set the monitor's input according to the input signals from this unit.

**2** Set up the player to play back a tape.  
*For details, see "Preparation on the player" on the next page.*

**3** Power on this unit by pressing ON/STANDBY switch.

The ON/STANDBY lamp lights in green.

**4** Use the COUNTER SELECT selector to select the type of time data to be used.

| Type of time data               | Set the selector to |
|---------------------------------|---------------------|
| Time code                       | TC                  |
| Count value of the time counter | COUNTER             |

**5** Select the video and audio input signals to be recorded.

Press INPUT SELECT to select the desired signal. Each press of this button cycles through three signal selection options: video, S-video, and DV input. Each selection is shown by a lit indicator in the display window.

#### Note

Once you have started recording, you cannot change the input signal selection (except during recording pause mode).

- 6** When using the line connections (INPUT connectors), select the audio mode.

Select the desired mode by setting the AUDIO MODE menu.

| Audio mode     | Set the menu to |
|----------------|-----------------|
| 2-channel mode | Fs48k           |
| 4-channel mode | Fs32k           |

*On how to use the menu, see Chapter 5 “Menu Settings”.*

### Notes

- In the DVCAM format, there are two audio recording modes, with either two channels at 48 kHz or four channels at 32 kHz. It is not possible to select other modes (for example with four channels at 48 kHz).
- When recording in 4-channel mode on this VCR, audio signals are recorded only in channels 1/2.
- Once you have started recording, you cannot change the audio mode selection.

- 7** Use the AUDIO INPUT LEVEL control knobs to adjust audio input levels.

Watching the audio level meter (*see page 11*), adjust the level so that the meter does not indicate higher values than 0 dB when the audio signal is at its maximum.

When the level exceeds 0 dB, sound distortion occurs.

### Note

With the DV connection, the recorder VCR’s AUDIO MODE (sound selection) and AUDIO INPUT LEVEL (audio balance adjustment) do not function.

## Preparation on the player

- Insert a source tape.
- If the player VCR has an EDIT switch, set it to ON.
- Turn off the on-screen display.

### Note

With the DV connection, the playback VCR’s AUDIO MONITOR (sound selection) and AUDIO MIX BALANCE (audio balance adjustment) do not function on the source audio output through the DV jack.

---

## Recording Procedure

- 1** After checking that the cassette's safety switch is set to write enabled position and the tape for slack, hold the cassette so that the tape window is facing upward, then insert it into this unit.

*For details of the cassette's safety switch, see page 8. For details of checking the tape for slack, see page 9.*

The cassette is automatically drawn into the unit and the tape is wound round the head drum. The tape is stationary while the head drum rotates.

- 2** Press the playback button on the player.

This starts the player's playback operation.

- 3** Press and hold REC on this VCR, and press PLAY.

This starts the recorder's recording operation.

### **To stop recording**

Press the STOP button.

## Duplication

If you copy a source tape, using the DUP (duplicate) button on this VCR, you can copy the time code recorded on the source tape as they are. You can easily make a work tape having the same time codes as the source tape.

The duplicate function on this VCR works only when using a source tape recorded in DVCAM format and making DV connections.

- 1** Connect this VCR and the other (playback) VCR, using an i.LINK cable (DV connecting cable) (not supplied) and select DV with the INPUT SELECT selector on this VCR.
- 2** Locate the points where you want to start playback and recording.
- 3** Press STOP on this VCR to stop the tape transport operation.
- 4** Press and hold DUP on this VCR, and press PLAY.

The DUP indicator flashes and this VCR enters duplicate-standby mode.

### Notes

- If the other (playback) VCR has already started playback, the DUP indicator lights and duplication starts immediately.
- If the other (playback) VCR is in the playback pause mode, duplication starts immediately and this VCR continues to record a still picture and a certain time code.

- 5** Press the play button on the other VCR to start playback.

The DUP indicator on this VCR lights and duplicate starts.

### To adjust the point where duplication starts

In step **4** above, press and hold the DUP button instead of the PLAY button, and press the PAUSE button. This VCR remains recording standby mode until you press the PAUSE button again.

After the other VCR starts playback, press the PAUSE button at the point where you want to start duplication.

### To stop duplication

Press the STOP button.

**Notes**

- During duplication, do not change the speed of the player's tape or set it to pause mode. Otherwise, the time code of the recorded tape becomes out of sequence and you cannot use it for editing.
- During duplication, time counter does not appear. Check it in the other (player) VCR.
- When you start duplicating, the first part of the source tape may be dropped on the copied tape. Play back the source tape from the preceding point. You cannot completely copy the tape if the source tape is recorded from its beginning point.
- You may not be able to copy the first part or an unrecorded portion of the source tape. Locate the recorded portion on the source tape, then start copying.
- The recording does not stop the moment you press the STOP button to stop editing. The source picture may be recorded a little longer than you expected.
- If you duplicate a tape by using two DSR-40/40Ps, set DV EE OUT in the menu of the player to OFF (*see page 52*).
- The index signals are not recorded when the duplication starts.
- If you set the REMOTE/LOCAL switch to REMOTE during duplication, the tape stops.

# Notes on Usage in the Editing System

If you use the unit in an editing system, the following functions are limited.

## Notes on general

- Component signals are only output during playback or when selecting DV input. This unit cannot be used as a converter from analog input to component output.
- This unit is not equipped with the synchronization function. Adjust the edit timing with the editing controller, and set sync grade to Preroll & Play.
- Pause mode will be released after the chosen time in the menu to protect the tape except when using the unit in an editing system.
- When the TIMER switch is set to REPEAT, and the tape reaches to its end point by fast-forwarding, the jog dial control is not available from external equipment connected to the REMOTE connector.
- You cannot change input signal selection during playback or playback pause mode.
- When S-video or video input is selected and no signal is input in search mode, the search screen becomes unstable.
- When the tape reaches to its beginning or end using the REW or F FWD button, the unit turns to playback pause mode at the point in a few preceding seconds from its beginning or end.

## Notes on connection

- When you use this unit as a recorder of a system with the FXE-120 whose version is 1.0, this unit cannot be used in the drop frame system. If you want to use it in the drop frame system, upgrade the FXE-120 to version 1.01 (Only for DSR-40).
- When inputting a composite or S-video signal, a composite or S-video output signal in EE mode is a through signal of the input.
- When inputting a composite or S-video signal, a component signal in EE mode is not output. Component output is only available during playback or when selecting DV input.
- If the unit turns off when AUTO OFF has been set to OFF, the operations cannot be available with equipment connected to the REMOTE connector. Turn on the power again and perform the operation.
- When inputting a DV signal, and outputting a composite or S-video signal in EE mode, only the color burst signal is exchanged.
- When inputting a DV signal, the unit does not perform a playback synchronized with the external sync signal. This playback is only available when selecting S-video or video input.

## Notes on editing

- With the DV connection, the editing accuracy is less than analog editing accuracy.
- This unit is not equipped with the first edit function.
- Since this unit does not support CTL, the time code of the recorded tape becomes out of sequence and you cannot use it for editing. In such case, adjust the editing IN point.

## Settings on editing control unit

When connecting an editing control unit, make the setting as follows, according to the model.

### FXE-100/120

Set the VCR device constants as follows:

| 1  | 2  | 3  | 4  | 5  | 6  | 7  | 8  | 9  | 10 | 11 | 12 | 13 | 14 | 15 |
|----|----|----|----|----|----|----|----|----|----|----|----|----|----|----|
| 80 | 30 | 00 | 96 | 05 | 05 | 0A | 8A | 0A | 08 | FE | 00 | 80 | 5A | FF |

### FXE-100P/120P

Set the VCR device constants as follows:

| 1  | 2  | 3  | 4  | 5  | 6  | 7  | 8  | 9  | 10 | 11 | 12 | 13 | 14 | 15 |
|----|----|----|----|----|----|----|----|----|----|----|----|----|----|----|
| 81 | 30 | 00 | 7D | 05 | 05 | 0A | 8A | 0A | 08 | FE | 00 | 80 | 5A | FF |

### BVE-600 (NTSC model)

Set the VCR device constants as follows:

| 1  | 2  | 3  | 4  | 5  | 6  | 7  | 8  | 9  | 10 | 11 | 12 | 13 | 14 | 15 |
|----|----|----|----|----|----|----|----|----|----|----|----|----|----|----|
| 80 | 30 | 00 | 96 | 05 | 05 | 0A | 8A | 0A | 09 | FE | 00 | 80 | 5A | FF |

### BVE-600 (PAL model)

Set the VCR device constants as follows:

| 1  | 2  | 3  | 4  | 5  | 6  | 7  | 8  | 9  | 10 | 11 | 12 | 13 | 14 | 15 |
|----|----|----|----|----|----|----|----|----|----|----|----|----|----|----|
| 81 | 30 | 00 | 7D | 05 | 05 | 0A | 8A | 0A | 09 | FE | 00 | 80 | 5A | FF |

### RM-450/450CE

Set the DIP switches as follows:

Left switch

| 7   | 6 | 5 | 4   | 3 | 2 | 1 | 0 |
|-----|---|---|-----|---|---|---|---|
| OFF | – | – | OFF | – | – | – | – |

Right switch (RM-450)

| 7   | 6 | 5   | 4  | 3   | 2   | 1  | 0  |
|-----|---|-----|----|-----|-----|----|----|
| OFF | – | OFF | ON | OFF | OFF | ON | ON |

Right switch (RM-450CE)

| 7  | 6 | 5   | 4  | 3   | 2   | 1  | 0  |
|----|---|-----|----|-----|-----|----|----|
| ON | – | OFF | ON | OFF | OFF | ON | ON |

If the edit timing is out of adjustment, change the setting of the numbers 0 to 2 of the right switch.

# Connections for a Digital Non-linear Editing

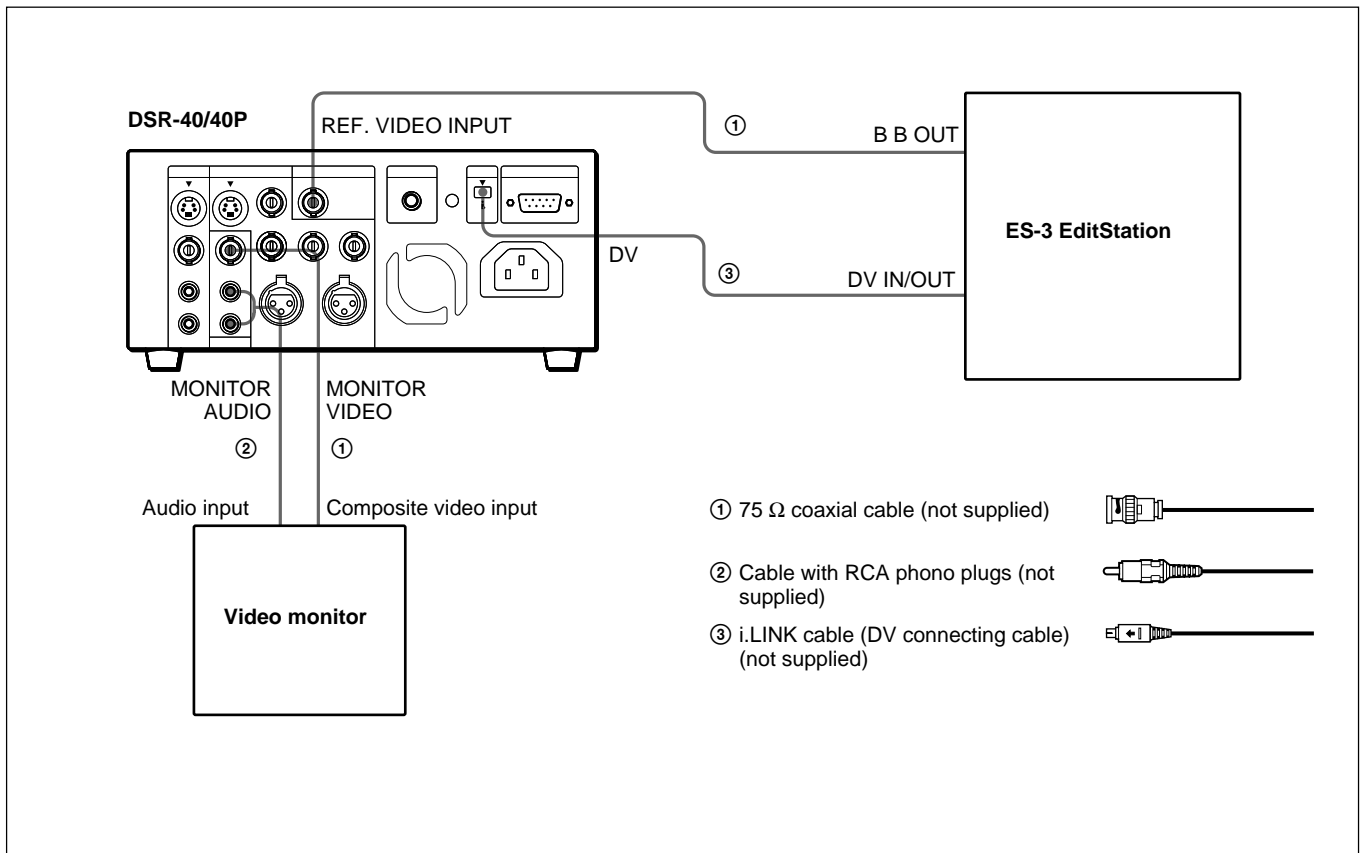
The unit can be connected to an ES-3 EditStation to configure a digital non-linear editing system.

You can transfer video, audio, time code, and other compressed data from this unit to the ES-3.

The unit can transfer index pictures recorded on tape and ClipLink log data stored in cassette memory to the ES-3 in an instant.

The following figure shows a connection diagram for non-linear editing system in which this unit serves as the player.

*For connections of the ES-3 and its peripheral devices, refer to the ES-3 instruction manual.*



## Setting of DSR-40/40P

| Switch       | Setting |
|--------------|---------|
| REMOTE/LOCAL | LOCAL   |



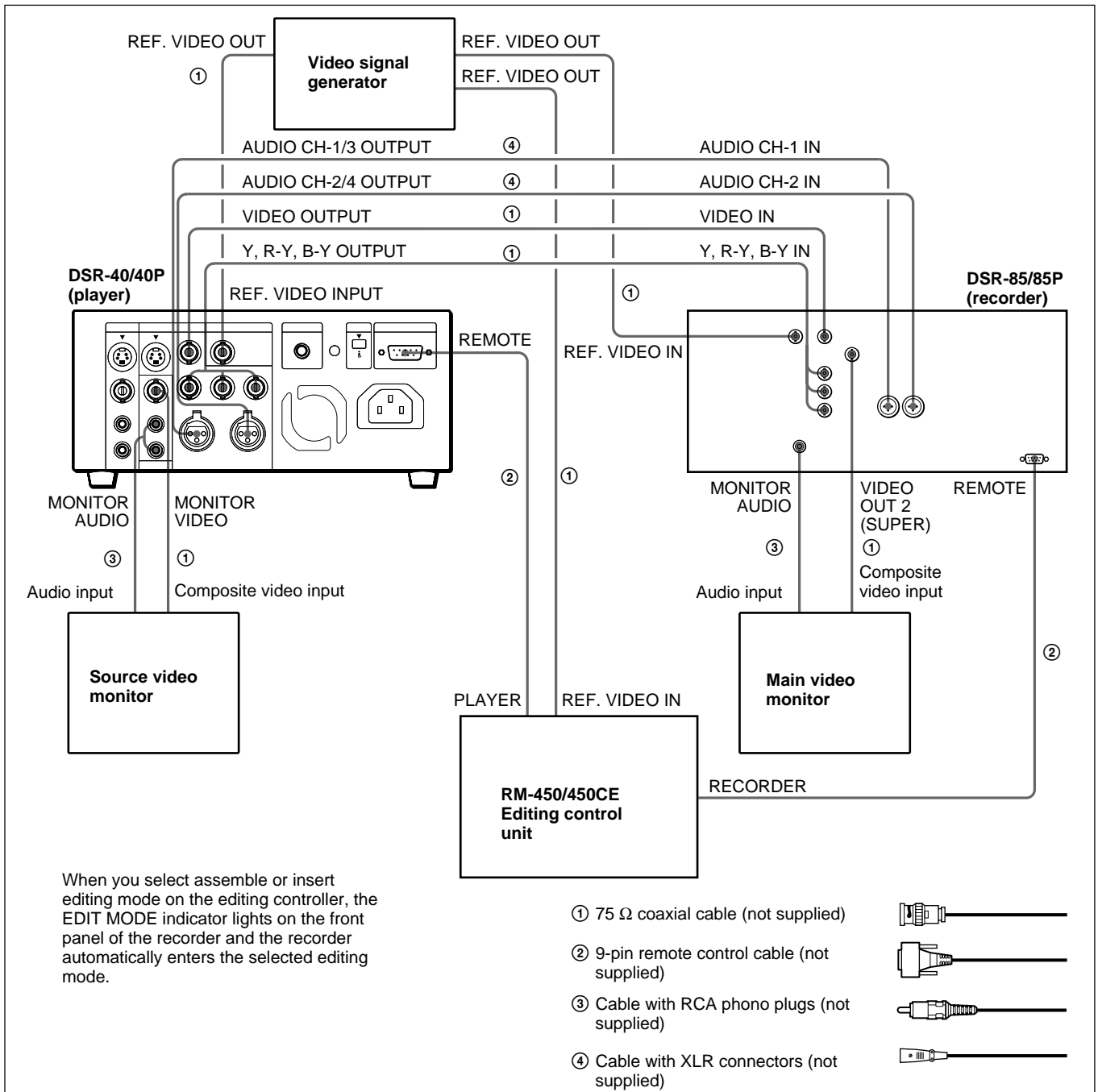
# Connections for a Cut Editing System

The following figure shows a cut editing system configuration that uses this unit as the player and a DSR-85/85P as the recorder.

For details of connecting devices other than the DSR-40/40Ps, refer to the instruction manual of each device.

## Notes

- When S-video or composite input is selected, S-video or composite output is a through signal.
- The preroll time of the setting on the RM-450/450CE is required for more than five seconds.
- Set RS-422 CUE-UP MODE to WITH VIDEO in the DSR-40/40P's SET UP menu for improving the editing accuracy.



# Connections for a Cut Editing System

---

## Settings on editing controller

For details on the settings of the editing controller, refer to “Adjusting an Edit Timing” on page 40.

### Settings on the DSR-40/40P (player) and DSR-85/85P (recorder)

| Switch       | recorder | player |
|--------------|----------|--------|
| REMOTE/LOCAL | REMOTE   | REMOTE |

*For details, refer to the instruction manual of DSR-85/85P.*

---

## About reference video signals

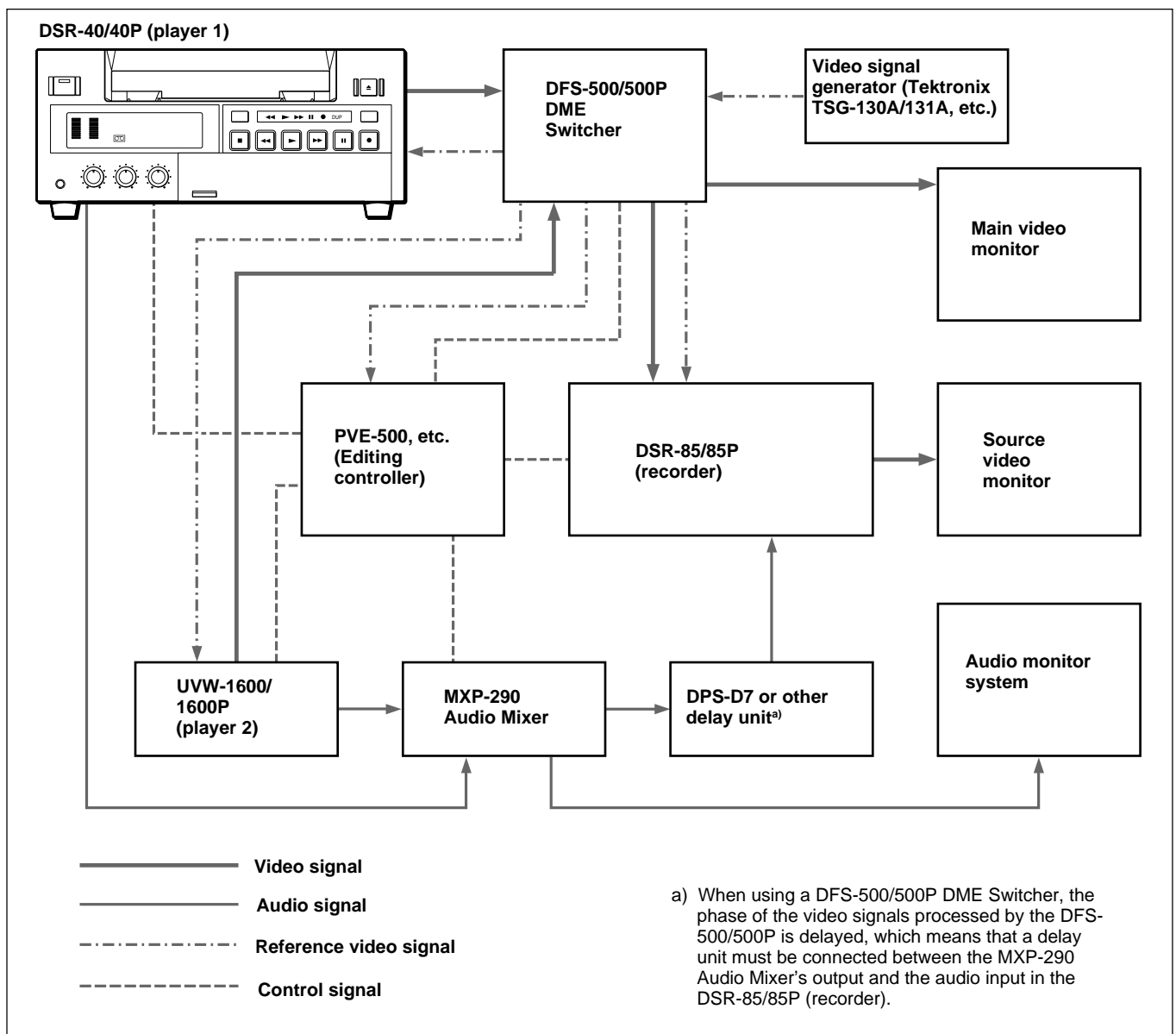
In order to provide stable video and audio signals for analog editing, it is necessary for the built-in time base corrector (TBC) to operate correctly. To ensure this, input a reference video signal synchronized with the video signal to the REF. VIDEO INPUT (IN) connector.

# Connections for an A/B Roll Editing System

The following is an example configuration of A/B roll editing system using the DSR-40/40P and DSR-85/85P.

In this configuration, the DSR-40/40P is used as player 1, the UVW-1600/1600P (an analog Betacam videocassette player) as player 2, and the DSR-85/85P as recorder. To create a final tape (a tape that contains a completely packaged program) in Betacam format, you can use a Betacam VCR such as the UVW-1800/1800P as the recorder.

The purpose of the following figure is to clearly indicate the flow of signals among the component devices in this system. The specific connections and DSR-85/85P (recorder) settings for this system are described on the following pages.



**Note**

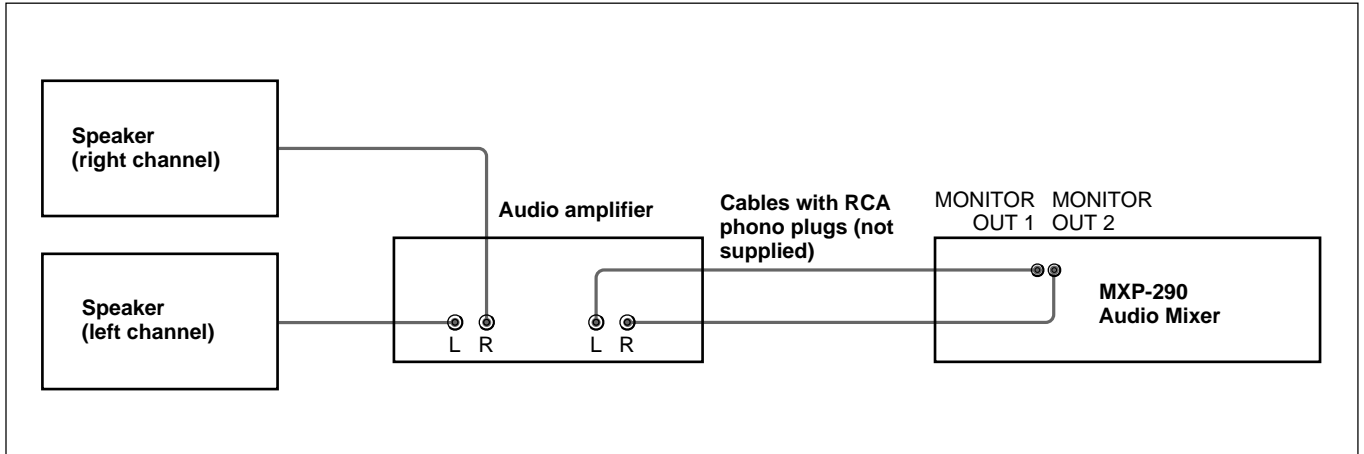
Use the recorder equipped with the synchronization function.

# Connections for an A/B Roll Editing System

## Audio monitor system connections

The following shows an example of audio monitor system connections.

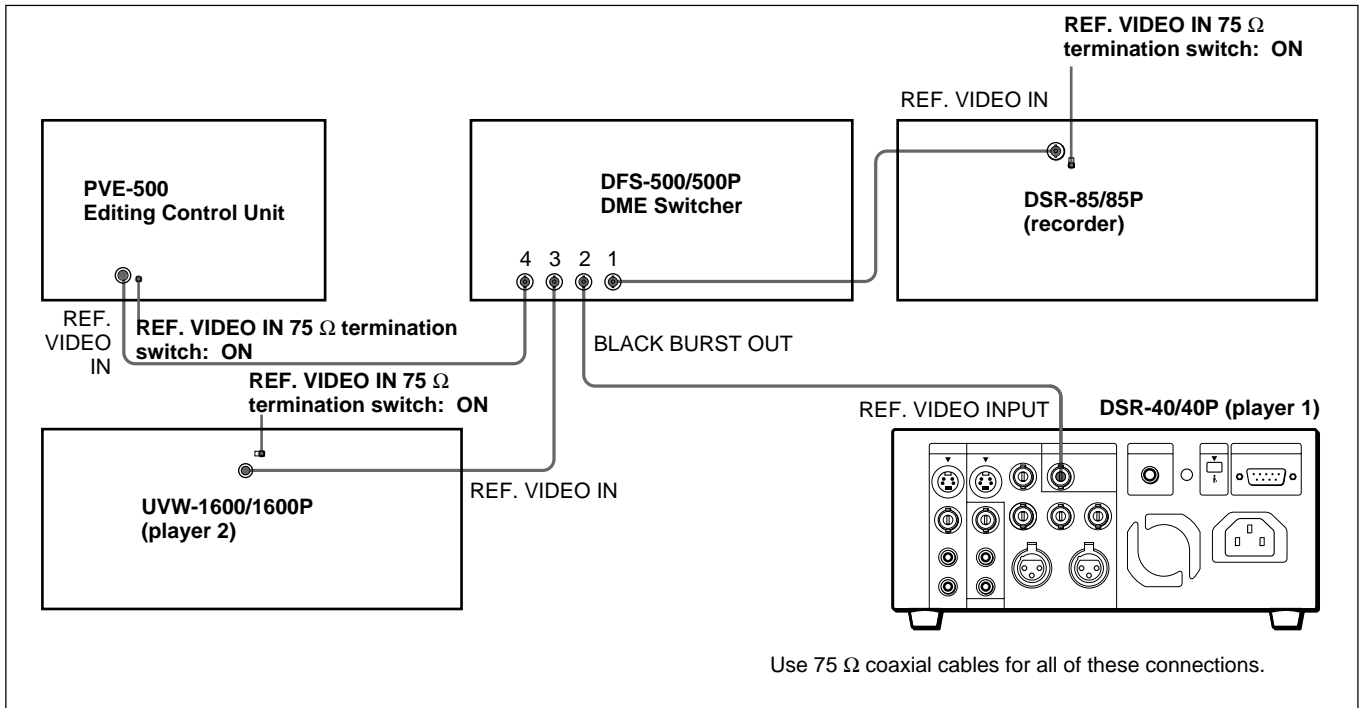
*For details of these connections, refer to each connected device's instruction manual.*



## Reference video signal connection

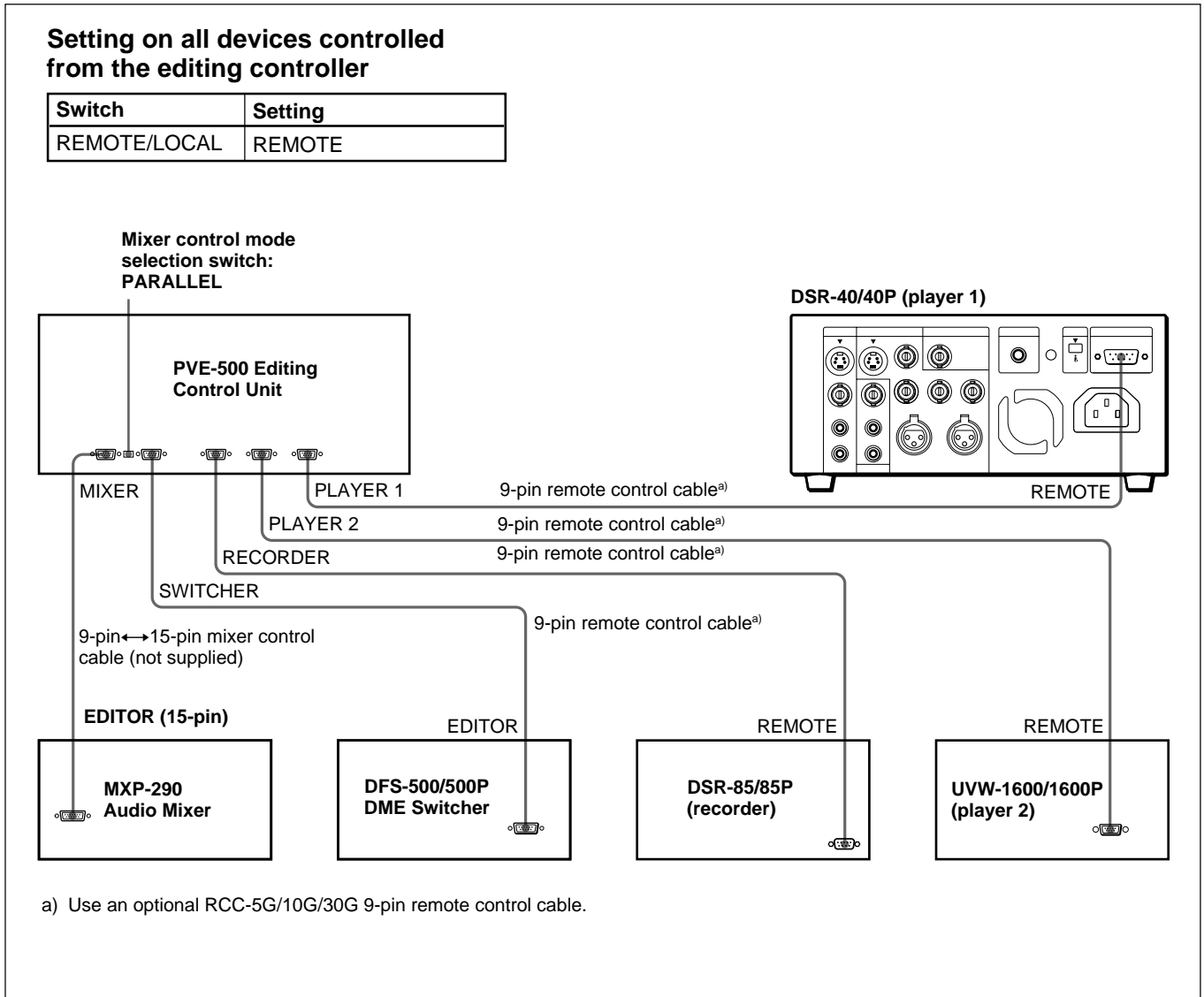
When you perform recording or editing, be sure to use a reference video signal.

*For details of the reference video signals, see "About reference video signals" on page 34.*



## Control signal connections

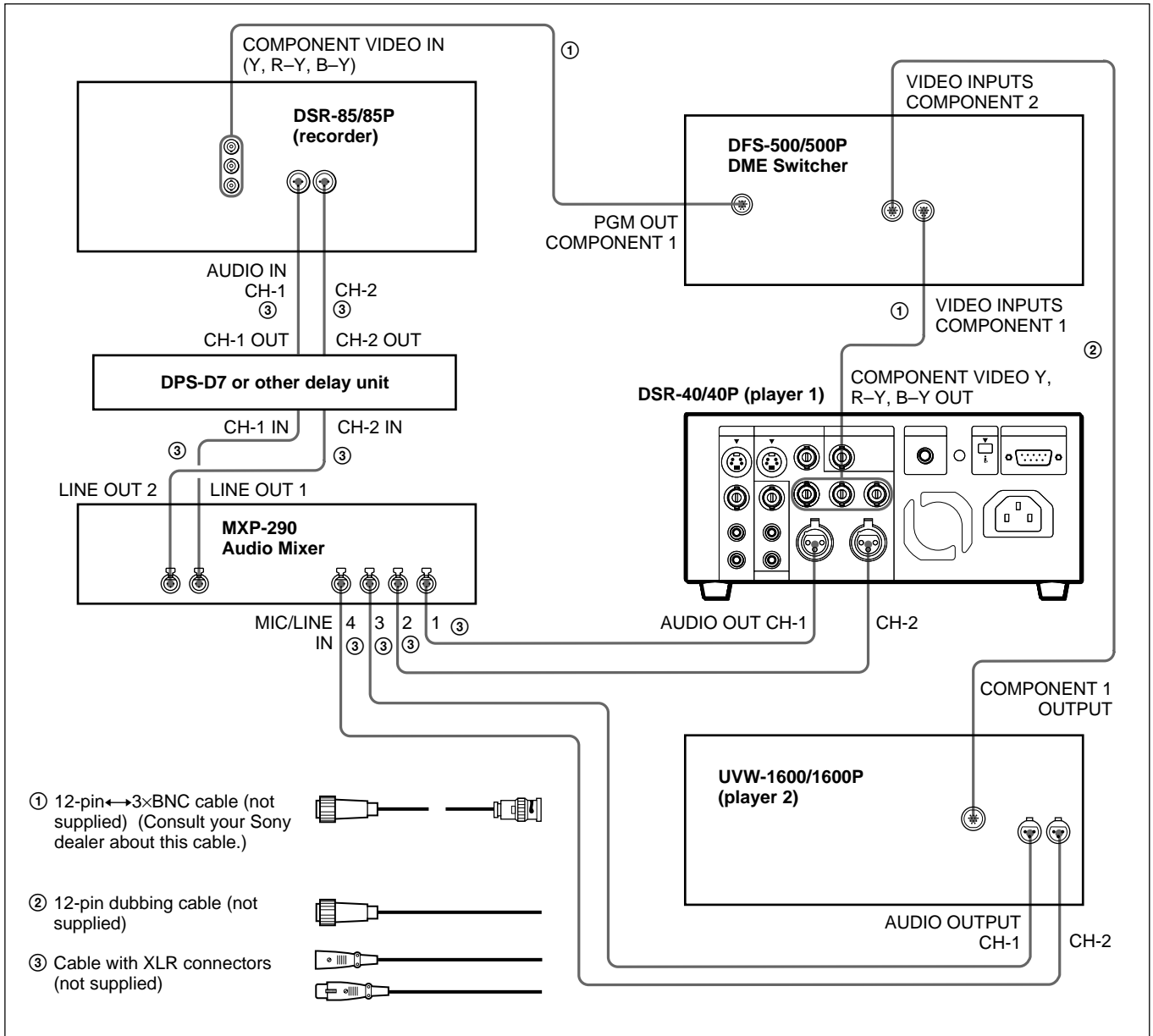
The following shows an example of control signal connections to enable the editing controller to control all other A/B roll editing system devices.



# Connections for an A/B Roll Editing System

## Video/audio signal connections

The following shows an example of video/audio signal connections in an A/B roll editing system. In this example, analog component signals are used as the video signals and XLR 3-pin connectors are used as audio input/output connectors.



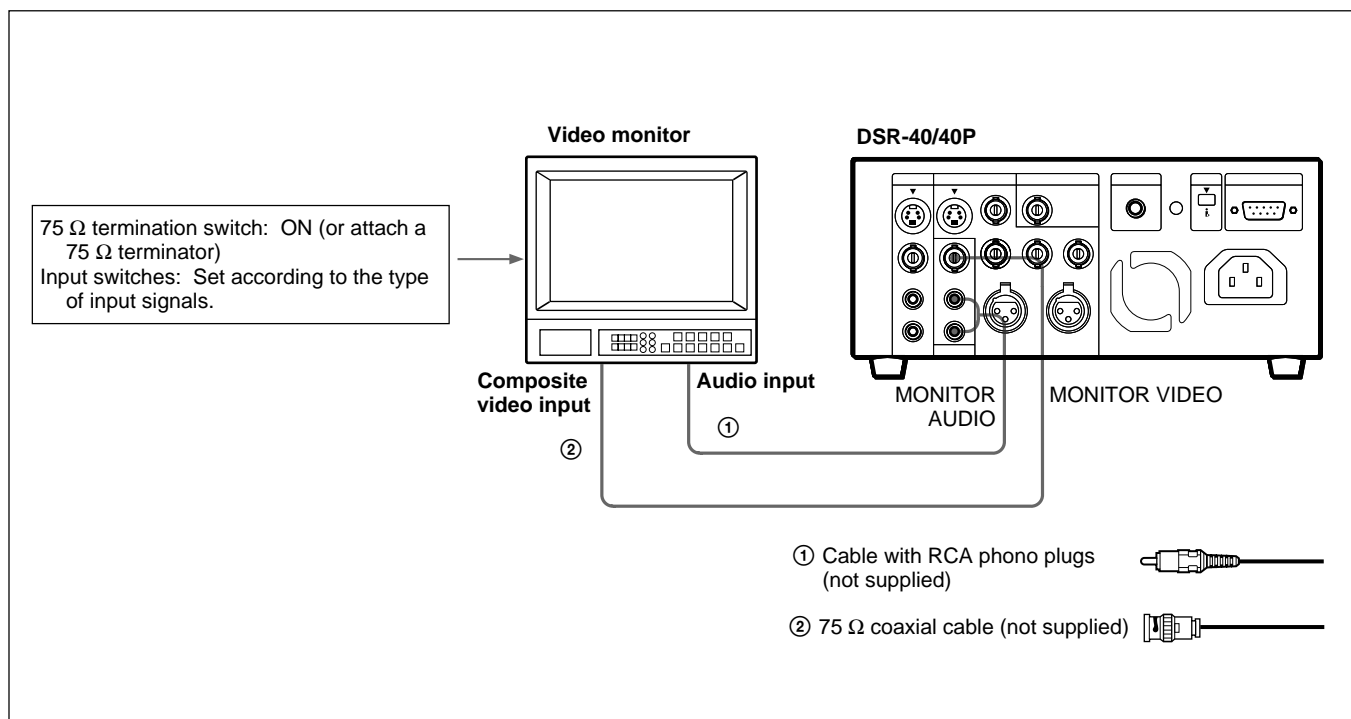
Settings on the DSR-85/85P (recorder)

| Switch                       | Setting         |
|------------------------------|-----------------|
| AUDIO IN 600 Ω ON/OFF        | ON              |
| AUDIO IN -6 dBu/0 dBu/+4 dBu | Normally +4 dBu |

For details of the video/audio input and audio mode settings, refer to the instruction manuals for the devices used.

## Connection of a video monitor

Set up the following connections to enable monitoring of video and audio signals on a video monitor. In addition to video signals, you can have time data, the DSR-40/40P's operation mode, alarm messages, and other information displayed as text on the monitor screen.



### Note

When you want to monitor the edited tape, use the monitor output connector on a recording VCR.

# Adjusting an Edit Timing

---

## Using this unit as a player with the RM-450/450CE

- 1** Set the SYNCHRO selector to ON.
- 2** Set the number 3 of the SYSTEM PRESET right switch to OFF (it is set to OFF at factory).  
  
Setting this to OFF adjusts the synchronization of the recorder.
- 3** Execute the LEARN function.

---

## Using this unit as a player 1 with the PVE-500

When using this unit as the player 2, the menu item is indicated in ( ).

- 1** Set Sync Edit of SEtUP-10 to OFF in the SETUP menu.
- 2** Set P1 dELAY (P2 dELAY) of SEtUP-13 (SEtUP-14) to LEArn in the SETUP menu.
- 3** Set rEC Sync of SEtUP-15 to On in the SETUP menu.
- 4** Set P1 Sync (P2 Sync) of SEtUP-16 (SEtUP-17) to OFF in the SETUP menu.
- 5** Execute the LEARN function.

---

## Using this unit as a player 1 with the FXE-120/120P

- When using this unit as the player 2, the menu item is indicated in ( ).
- When using the FXE-100/100P that has been upgraded with the FXE-KIT1, the menu item is indicated in [ ].

- 1** Display the item 104 [301] SYNC GRADE in the SETUP menu, and set PLAYER1 (PLAYER2) to PREROLL & PLAY.
- 2** Display the item 301 (302) [401 as player 1, 402 as player 2] DEVICE TYPE PLAYER1 (DEVICE TYPE PLAYER2) in the SETUP menu, and set the VCR device constants.
- 3** Execute the LEARN function.

If the edit timing is out of adjustment, follow “Adjusting the IN point” on the next page.



### Adjusting the IN point

If the actual edited point does not accurately coincide with the preset editing point, perform the fine adjustment of the edit timing using the SETUP menu of the editing control unit. This improves the editing accuracy.

- 1** Display the item 301 (302) [401 as player 1, 402 as player 2] DEVICE TYPE PLAYER1 (DEVICE TYPE PLAYER2) in the SETUP menu, and set it from DISABLE to ENABLE.
- 2** Repeat editing several times and check the shift of the editing point; that is, count the number of frames to be adjusted.

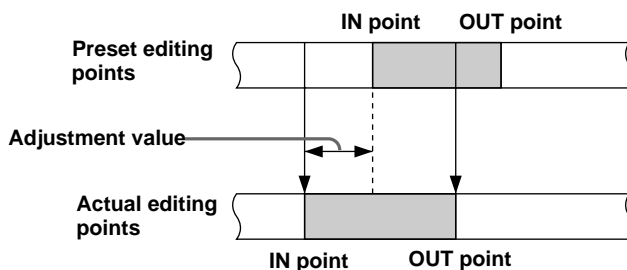
**Note**

The editing result may differ between DISABLE and ENABLE settings of SETUP menu item 301 (302) [401 as player 1, 402 as player 2]. Be sure to check the editing result after changing the setting to ENABLE.

- 3** Set the SETUP menu item 301 (302) [401 as player 1, 402 as player 2] from BYTE 01 to BYTE 10, and calculate the adjustment value.

### How to calculate the adjustment value

If the actual IN point shifts forward to the IN point preset on the player



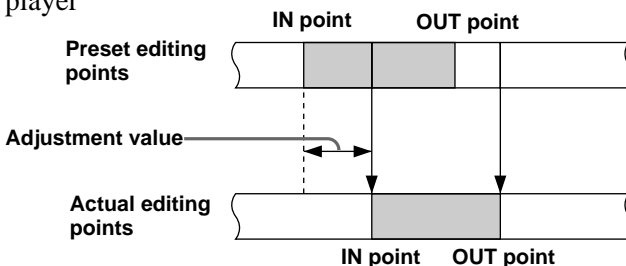
08 (default setting) + number of frames obtained in step 2

Example: To adjust 5 frames

$$08 + 05 = 0D$$

Adjustment value is calculated in hexadecimal.

If the actual IN point shifts backward to the IN point preset on the player



08 (default setting) – number of frames obtained in step 2

Example: To adjust 5 frames

$$08 - 05 = 03$$

(Continued)

## Adjusting an Edit Timing

---

- 4 Perform a trial editing and confirm the adjustment result.

Repeat steps **3** and **4** until best possible result is obtained.

---

### Using this unit as a recorder with FXE-120/120P

- When using this unit as a recorder, also see chapter 4 “Using the Unit as a Recorder in an Editing System.”
- When using FXE-100/100P that has been upgraded with FXE-KIT1, the menu item is indicated in [ ].

- 1 Display the item 102 [112] REMOTE INTERFACE in the SETUP menu, and set RECORDER to OTHERS.
- 2 Display the item 104 [301] SYNC GRADE in the SETUP menu, and set RECORDER to PREROLL & PLAY.
- 3 Display the item 303 [403] DEVICE TYPE RECORDER in the SETUP menu, and set the VCR device constants.
- 4 Execute the LEARN function.

If the edit timing is out of adjustment, follow “Adjusting the IN point” below.

#### Adjusting the IN point

If the actual edited point does not accurately coincide with the preset editing point, perform the fine adjustment of the edit timing using the SETUP menu of the editing control unit. This improves the editing accuracy.

- 1 Display the item 303 [403] DEVICE TYPE RECORDER in the SETUP menu, and set it from DISABLE to ENABLE.
- 2 Repeat editing several times and check the shift of the editing point; that is, count the number of frames to be adjusted.

#### Note

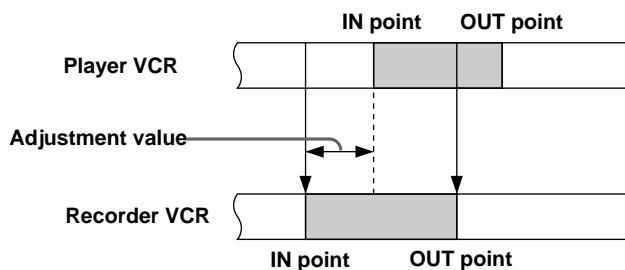
The editing result may differ between DISABLE and ENABLE settings of SETUP menu item 303 [403]. Be sure to check the editing result after changing the setting to ENABLE.

- 3 Set the SETUP menu item 303 [403] from BYTE 01 to BYTE 10, and calculate the adjustment value.



### How to calculate the adjustment value

If the actual IN point shifts forward to the IN point preset on the player

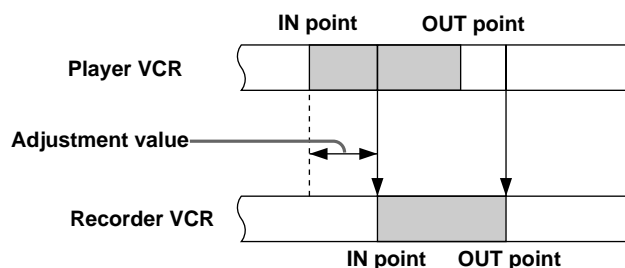


08 (default setting) – number of frames obtained in step 2

Example: To adjust 5 frames

$$08 - 05 = 03$$

If the actual IN point shifts backward to the IN point preset on the player



08 (default setting) + number of frames obtained in step 2

Example: To adjust 5 frames

$$08 + 05 = 0D$$

Adjustment value is calculated in hexadecimal.

- 4 Perform a trial editing and confirm the adjustment result.

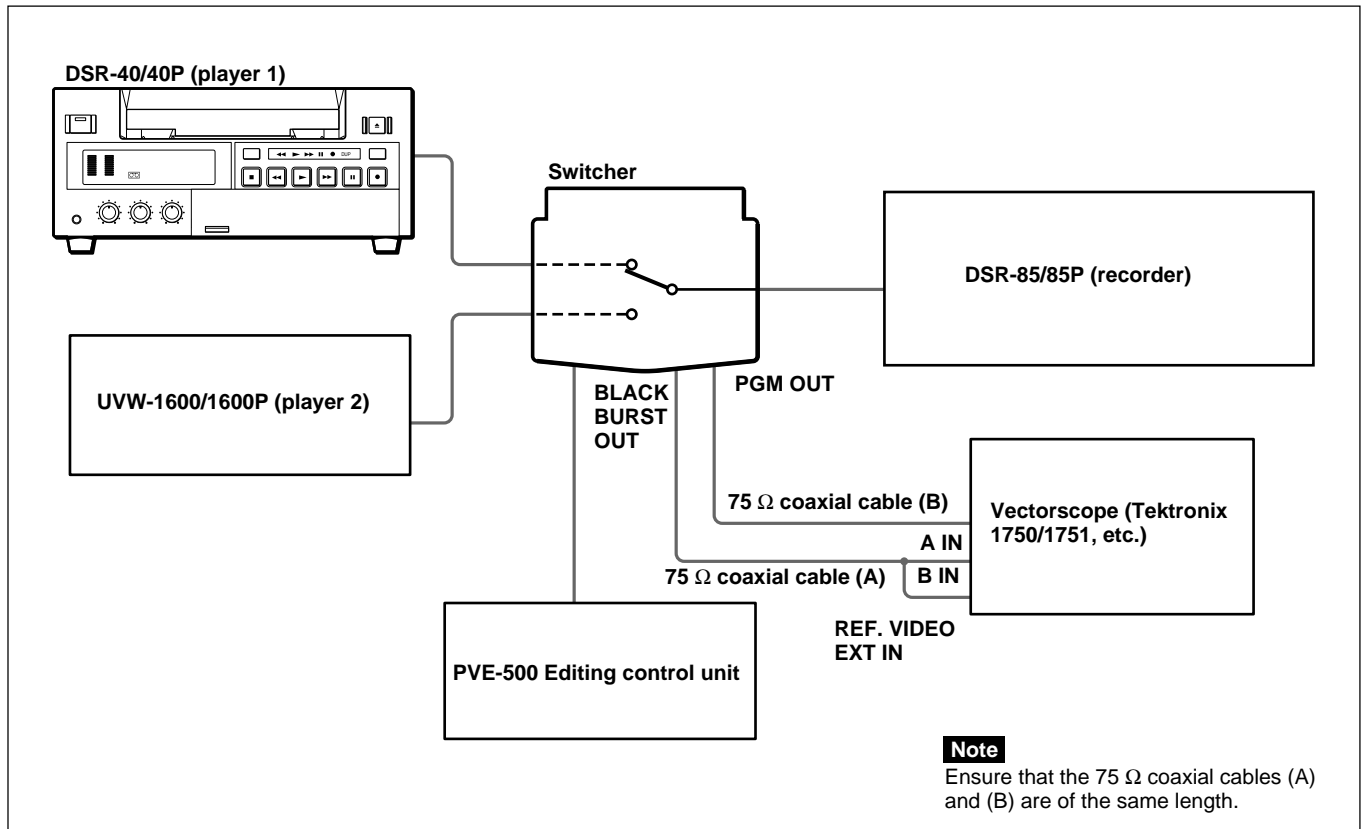
Repeat steps 3 and 4 until best possible result is obtained.

### Using this unit as a player with the BVE-600

- 1 Set the sync grade (menu 2) to mode number 4, PREROLL & PLAY in auxiliary mode.
- 2 Set the VCR device constants in the setting mode.

# Adjusting the Sync and Subcarrier Phases

When using two or more players, as in an A/B roll editing system, phase synchronization of the signals (i.e. system sync) is necessary and for composite signals only, the subcarrier phase must also be in sync. If not, picture instabilities or color break-up may occur at edit points. After configuring the editing system, use a vectorscope to adjust the sync and subcarrier phase of the recorder and players. Subcarrier phase adjustment is necessary when using composite signals or Y/C signals.



## Note

The sync and subcarrier phase of the output signal from the DFS-500/DFS-500P Switcher are automatically adjusted.

## Performing a phase adjustment operation

- 1 Press the SCH button on the vectorscope.

The vectorscope switches to “SCH” mode.

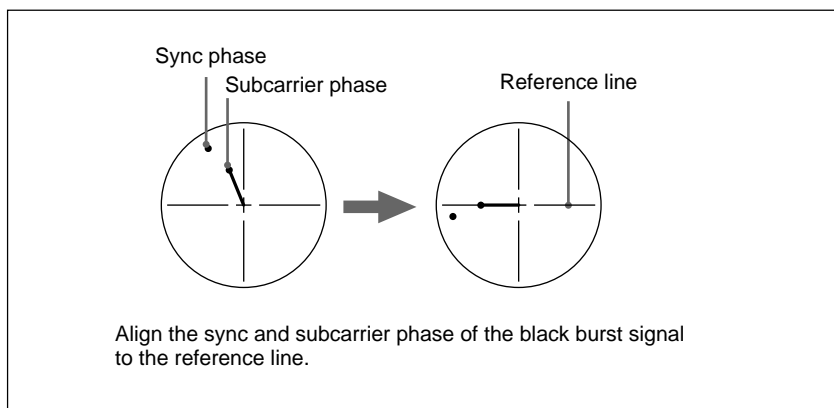
- 2 Press the B channel button on the vectorscope.

This displays the black burst signal from the switcher.

- 3 Press the EXT button on the vectorscope.

This switches the vectorscope to external synchronization mode.

- 4 Adjust the phase synchronization control on the vectorscope so that the sync and subcarrier phases are close to the reference line.



- 5 Output the player 1 signal from the switcher, using the PVE-500.

- 6 Press the A channel button on the vectorscope.

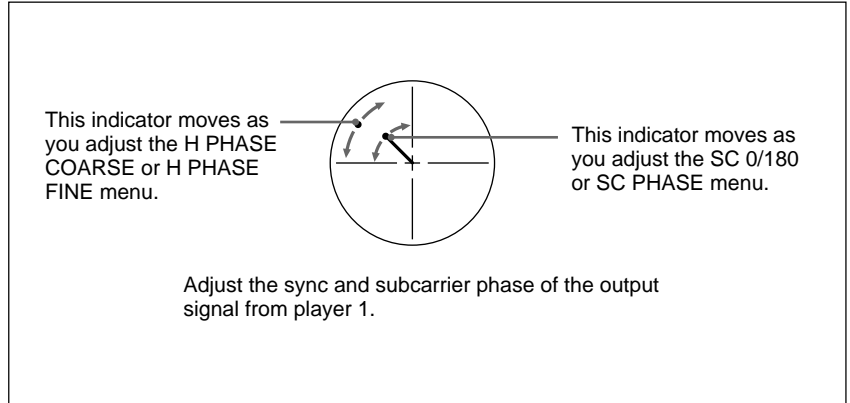
This displays the sync phase and subcarrier phase (composite signals only) of the signal from player 1.

- 7 On player 1, adjust the SYNC control, using the H PHASE COARSE menu for rough adjustment and the H PHASE FINE menu for fine adjustment, so that the output from player 1 on channel (A) is in correct phase alignment with the black burst signal on channel (B) (*See page 53*).

(Continued)

## Adjusting the Sync and Subcarrier Phases

- On player 1, adjust the SC control, using the SC 0/180 menu for rough adjustment and the SC PHASE menu for fine adjustment, so that the output from player 1 on channel (A) is in correct phase alignment with the black burst signal on channel (B) (See page 53).



### Note

When component signals are used, the subcarrier phase indicator does not appear.

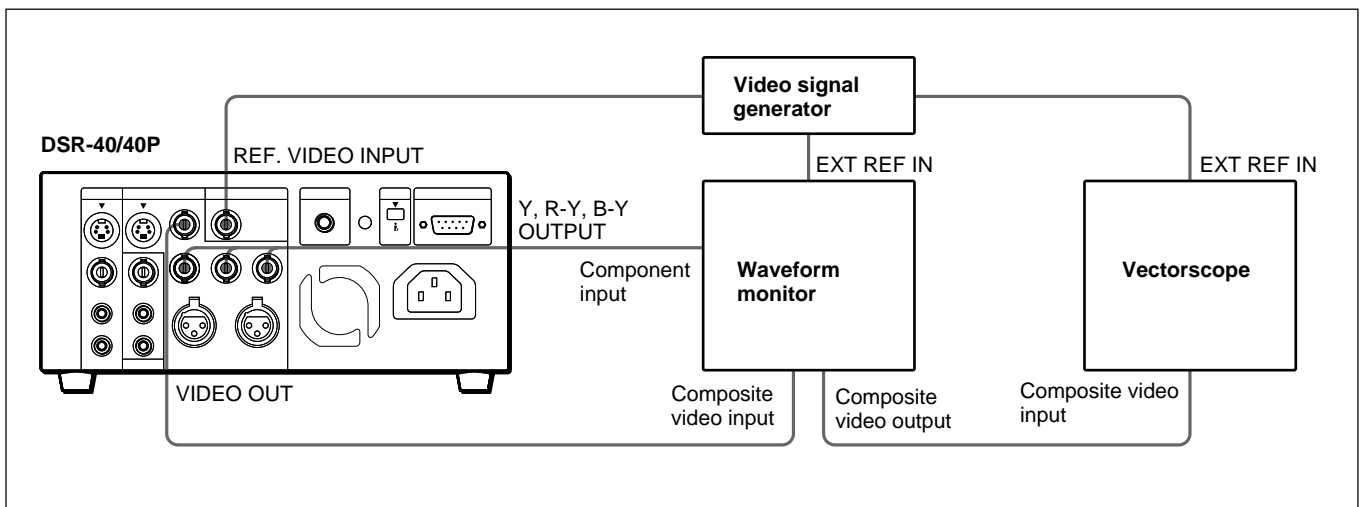
- Output the player 2 signal from the switcher, using the PVE-500, and repeat steps **7** and **8** to adjust the sync and subcarrier phase of the output from player 2.

# Adjusting Signals

You can adjust each signal level of the component output signal and the chrominance signal gain level of the composite signal.  
Connect the reference video (black burst) signal one-to-one with a device that generates the reference video signal, or make a loop-through connection. If the device has a terminal switch, terminate the connection properly.  
Both a waveform monitor and a vectorscope are required for adjustments.

## Note

If you adjust component signal level, be sure to adjust chrominance signals gain level of composite signals.



## Adjusting component signal level

- 1 Play back the DSR-40/40P, and output the signals from the Y, R–Y, and B–Y connectors of the OUTPUT connectors.  
The picture is displayed on the waveform monitor.
- 2 Adjust Y signal level at the PB COMPONENT Y LEVEL menu (*See page 53*).
- 3 Adjust R–Y signal level at the PB COMPONENT R–Y LEVEL menu (*See page 53*).
- 4 Adjust B–Y signal level at the PB COMPONENT B–Y LEVEL menu (*See page 53*).

## Adjusting chrominance signal gain level of the composite signal

- 1** Play back the DSR-40/40P, and output the signals from the VIDEO connector of the OUTPUT connector.

The picture is displayed on the vectorscope.

- 2** Adjust R–Y signal gain level at the COMPOSITE R–Y GAIN menu (*See page 53*).
- 3** Adjust B–Y signal gain level at the COMPOSITE B–Y GAIN menu (*See page 53*).



This unit can be used as a recorder with the FXE-100/100P/120/120P. However, editing accuracy will not correspond with the RS-422A standard in the editing system.

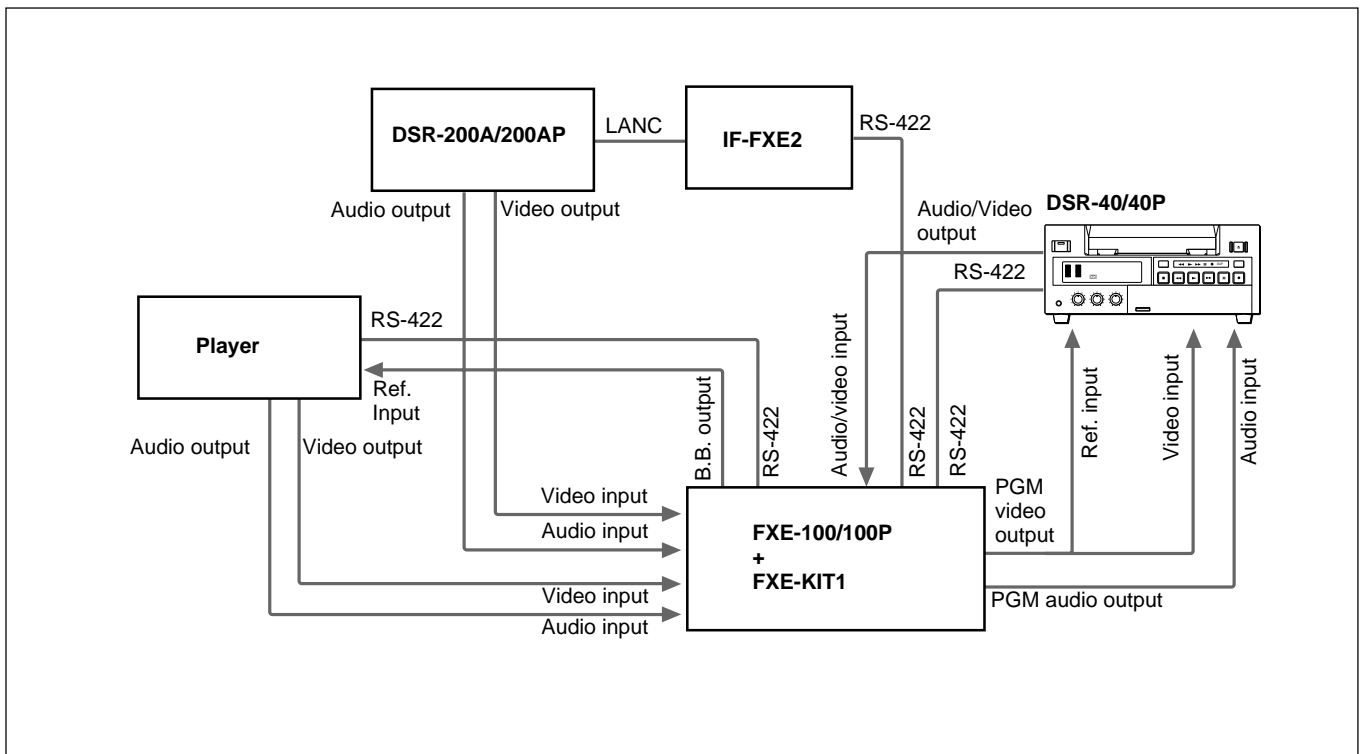
For details on usage and connections, refer to the operating manuals supplied with your devices used in a system.

### Notes

#### When using this unit as a recorder:

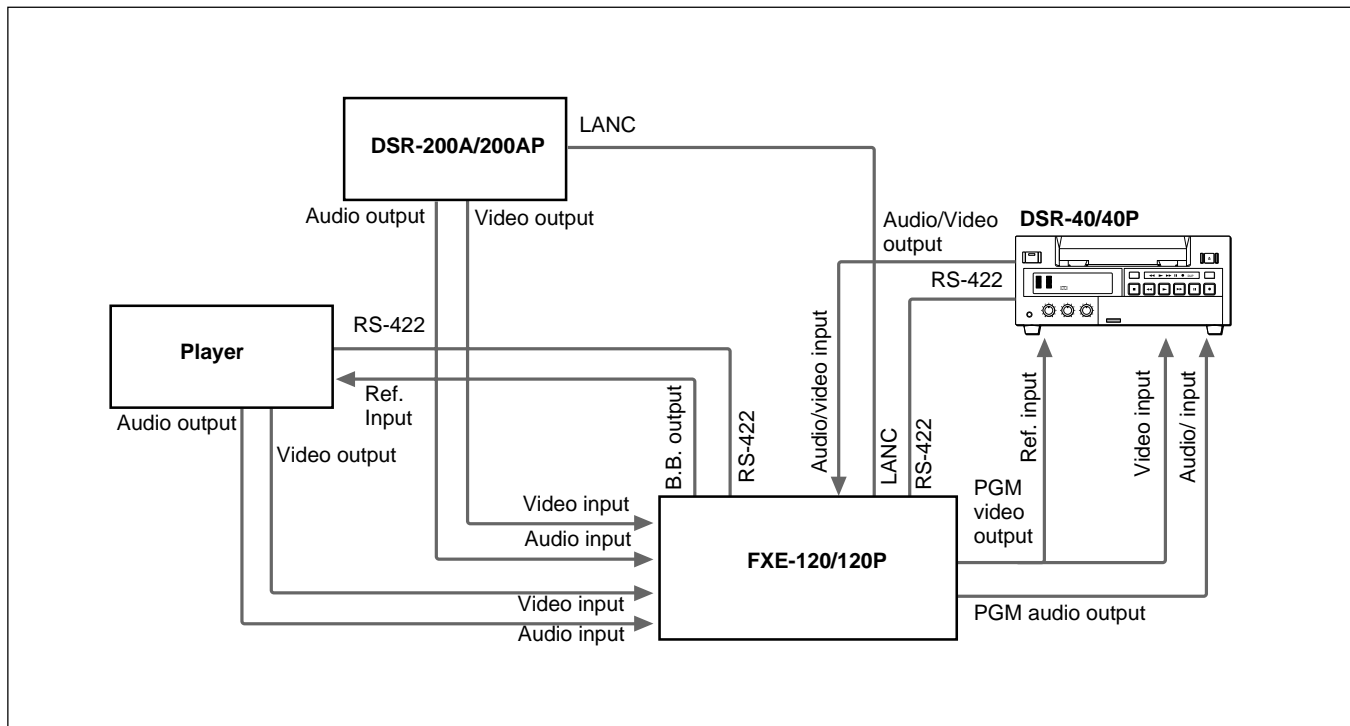
- You cannot execute video/audio insert editing.
- When you use the unit as a recorder with the FXE-120/120P, only assemble editing is available.
- Adjust the edit timing (*See page 40*).
- Set RECORDER MODE to FXE RECORDER.
- When you use the unit as a recorder with the FXE-100/100P, the FXE-KIT1 is required for upgrading the FXE-100/100P.
- Editing accuracy is not guaranteed. If the duration is very short, the recording may not function properly.
- Be sure to execute the LEARN function. If you do not use the unit for a long time, you have to execute the function also.
- If you execute REC command via RS-422A, it delays the recording start time for about five minutes.
- Set RECORDER to OTHERS in the SETUP menu item 102 (112: when using the FXE-100/100P that has been upgraded with the FXE-KIT1) REMOTE INTERFACE of the FXE-120/120P.

#### When using this unit as a recorder with the FXE-100/100P (that has been upgraded with the FXE-KIT1)



# Using the Unit as a Recorder with FXE-100/100P/120/120P

## When using this unit as a recorder with the FXE-120/120P



# Changing Menu Settings

This VCR has various functions available, and you can set and check them on the monitor screen. **Before operation, set the clock by setting the CLOCK SET menu.**

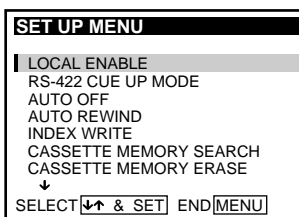
You can change the menu settings on the SET UP MENU screen. If necessary, change the settings manually.

## Changing the SET UP MENU Settings

Follow the instructions below to change the settings.

- 1 Press MENU.

The SET UP MENU appears on the monitor screen.



- 2 Press  $\uparrow/\downarrow$  to select the option you want to change, and press SET.

Each menu option appears on the monitor screen (*see the table below*).

- 3 Press  $\uparrow/\downarrow$  to change the setting, and press SET.

The menu disappears from the monitor screen. To cancel the menu settings, press MENU again.

## Menu Contents

Initial settings are indicated in bold letters.

| Menu options       | Set this option to                          | Description of settings   |
|--------------------|---|---|
| LOCAL ENABLE       | <b>ALL DISABLE</b><br>STOP & EJECT<br>EJECT | <ul style="list-style-type: none"> <li>• When the REMOTE/LOCAL switch is set to REMOTE, all of the tape transport control buttons (front panel/remote control unit) are disabled.</li> <li>• When the REMOTE/LOCAL switch is set to REMOTE, only the STOP and EJECT buttons (front panel/remote control unit) are enabled.</li> <li>• When the REMOTE/LOCAL switch is set to REMOTE, only the EJECT button (front panel) is enabled.</li> </ul> |
| RS-422 CUE-UP MODE | <b>WITH VIDEO</b><br>WITHOUT VIDEO          | <ul style="list-style-type: none"> <li>• While searching with equipment connected to the REMOTE connector, the searching picture is displayed.</li> <li>• Does not display the searching picture. (The searching speed will be faster than when set to WITH VIDEO.)</li> </ul>  |

# Menu Organization

| Menu options               | Set this option to                                | Description of settings   |
|----------------------------|---|---|
| AUTO OFF                   | ON<br>OFF   | <ul style="list-style-type: none"> <li>To turn off the VCR automatically if there is no operation and the tape stops for an hour (Auto Off).</li> <li>To deactivate Auto Off.</li> </ul>  |
| AUTO REWIND                | ON<br>OFF   | <ul style="list-style-type: none"> <li>To rewind the tape to its beginning automatically if the tape reaches to an end (Auto Rewind).</li> <li>To deactivate Auto Rewind.</li> </ul>  |
| INDEX WRITE                | AUTO<br>OFF                                       | <ul style="list-style-type: none"> <li>To record index signals when recording begins.</li> <li>Not to record index signals.</li> </ul>  |
| CASSETTE MEMORY SEARCH     | AUTO<br>OFF                                       | <ul style="list-style-type: none"> <li>To search recordings with the cassette memory. If the tape does not have a cassette memory, the VCR will search recordings using index signals recorded on the tape itself.</li> <li>To search recordings using the index signals recorded on the tape.</li> </ul>   |
| CASSETTE MEMORY ERASE      | ALL DATA<br>INDEX DATA<br>DATE DATA<br>PHOTO DATA | <ul style="list-style-type: none"> <li>To erase all the data in the cassette memory. (When using the cassette whose memory can store over 16 Kbits of data, you can only select ALL DATA.)</li> <li>To erase index data in the cassette memory.</li> <li>To erase date data in the cassette memory.</li> <li>To erase photo data in the cassette memory.</li> </ul> |
| PHOTO PB                   | FIELD<br>FRAME                                    | <ul style="list-style-type: none"> <li>To prevent the picture from blurring when playing a tape recorded in photo mode.</li> <li>To see a clear picture when playing a still picture.</li> </ul> <p><b>Note</b><br/>When selecting FRAME, a picture recorded in photo mode may be blurred.</p>  |
| DV EE OUT                  | ON<br>OFF   | <ul style="list-style-type: none"> <li>To output the selected line input signals from the DV jack.</li> <li>To output only playback video and audio signals from the DV jack.</li> </ul>  |
| DISPLAY POSITION           | CENTER<br>LOWER RIGHT<br>OFF                      | <ul style="list-style-type: none"> <li>To display the tape counter in the center of the monitor screen.</li> <li>To display the tape counter in the lower right of the monitor screen.</li> <li>Not to display the tape counter.</li> </ul>   |
| CAUTION DISPLAY            | ON<br>OFF   | <ul style="list-style-type: none"> <li>To display alarm messages on the monitor screen.</li> <li>Not to display alarm messages.</li> </ul>  |
| BEEP                       | ON<br>OFF   | <ul style="list-style-type: none"> <li>To output a beep sound when an illogical operation is made.</li> <li>To deactivate the beep.</li> </ul>  |
| TIME CODE<br>(DSR-40 only) | AUTO<br>NDF<br>DF                                 | <ul style="list-style-type: none"> <li>To set the time code to the same one as already recorded on the tape.</li> <li>To set the time code to Non Drop Frame.</li> <li>To set the time code to Drop Frame.</li> </ul> <p><b>Note</b><br/>If you use AUTO and start recording at the beginning of the tape, the time code is set to Non Drop Frame.</p>              |
| PREROLL TIME SELECT        | 3SEC<br>5SEC<br>7SEC<br>10SEC                     | The preroll time can be set between 3 and 10 seconds by four steps. When an editing controller such as the PVE-500 has been connected, this setting is disabled and the editing controller's setting is in effect. The preroll time setting is also performed on the editing controller.  |
| AFTER CUE-UP               | STOP<br>STILL                                     | <ul style="list-style-type: none"> <li>After a cue-up, the unit informs the editing unit that it is in stop mode. (The unit is actually in still mode.)</li> <li>After a cue-up, the unit turns to still mode.</li> </ul>   |
| PB STILL DELAY             | 0FRAME –<br>10FRAME                               | Playback still delay can be set between 0 and 9 frames by 11 steps. You can set the delay which the unit turns to playback mode from still mode.  |
| RECORDER MODE              | NORMAL PLAYER<br>FXE RECORDER                     | <ul style="list-style-type: none"> <li>To use the unit as a normal player.</li> <li>To use the unit as a recorder with the FXE-120/120P in a system.</li> </ul>   |
| STILL TIMER                | 8SEC – 4MIN                                       | You can set the time which releases still or pause mode to protect the tape. Select time from 6 settings ranging from 8 seconds to 4 minutes.   |

| Menu options                         | Set this option to            | Description of settings  |
|--------------------------------------|-------------------------------|--|
| NEXT MODE FROM STILL                 | STEP FWD<br><br>STB OFF       | <ul style="list-style-type: none"> <li>To advance the tape one frame after elapsing the set time of STILL TIMER during still mode.</li> <li>To turn the unit to standby-off mode from still mode after elapsing the set time of STILL TIMER.</li> </ul>  |
| H PHASE COARSE <sup>a)</sup>         | —                             | For rough adjustment of sync phase. <sup>b)</sup>  |
| H PHASE FINE <sup>a)</sup>           | —                             | For fine adjustment of sync phase. <sup>b)</sup>   |
| SC 0/180 <sup>a)</sup>               | 0DEG<br>180DEG                | For rough adjustment of subcarrier phase. <sup>b)</sup>  |
| SC PHASE <sup>a)</sup>               | —                             | For fine adjustment of subcarrier phase. <sup>b)</sup>   |
| PB COMPONENT Y LEVEL <sup>a)</sup>   | —                             | Adjusts Y signal level of the component signal in the playback mode. <sup>b)</sup>   |
| PB COMPONENT B–Y LEVEL <sup>a)</sup> | —                             | Adjusts B–Y signal level of the component signal in the playback mode. <sup>b)</sup>   |
| PB COMPONENT R–Y LEVEL <sup>a)</sup> | —                             | Adjusts R–Y signal level of the component signal in the playback mode. <sup>b)</sup>   |
| COMPOSITE B–Y GAIN <sup>a)</sup>     | —                             | Adjusts B–Y signal gain level of the composite signal in the playback mode. <sup>b)</sup>  |
| COMPOSITE R–Y GAIN <sup>a)</sup>     | —                             | Adjusts R–Y signal gain level of the composite signal in the playback mode. <sup>b)</sup>  |
| AUDIO MIX BALANCE                    | —                             | If you set the AUDIO MONITOR selector to MIX, you can select the precise balance between channels 1/2 and channels 3/4 by five steps.  |
| AUDIO MODE                           | Fs48k<br><br>Fs32k            | <ul style="list-style-type: none"> <li>To set the audio mode to 2-channel mode (16bit mode). This mode uses the whole audio area to record one stereo track. You can get higher sound quality.</li> <li>To set the audio mode to 4-channel mode (12bit mode). This mode separates the audio area into 2 parts. You can record two kinds of audio, stereo 1 and stereo 2. When recording on this VCR, audio signals are recorded only in channels 1/2.</li> </ul>     |
| JOG WITH SOUND                       | ON<br>OFF                     | <ul style="list-style-type: none"> <li>To listen to the sound when playing a tape at various speeds.</li> <li>To turn off the sound when playing a tape at various speeds.</li> </ul>  |
| HOURS METER                          | DRUM<br>ROTATION<br>THREADING | <p>The digital hours meter keeps cumulative counts of the head drum rotation time and the number of unthreading operations. These counts can be displayed on the monitor screen and are unresettable.</p> <ul style="list-style-type: none"> <li>The cumulative total hours of drum rotation with tape threaded is displayed in 10-hour increments.</li> <li>The cumulative number of tape unthreading operation is displayed in 10-operation increments.</li> </ul> |
| CLOCK SET                            | —                             | Set the clock on this VCR so that the recording time can be written into the index signal.<br>Using $\uparrow/\downarrow$ and SET buttons, set the date and time.  |

a) The ● mark appears on the monitor screen when the value is set to “0.”

b) Adjust the value with the  $\uparrow/\downarrow$  buttons.

# Menu Organization

## Recommended settings in the SET UP menu

Depending on the position of the REMOTE/LOCAL switch, set the menu options as follows:

| Menu options                | Default       | REMOTE                      | LOCAL   |
|-----------------------------|---------------|-----------------------------|---------|
| LOCAL ENABLE                | ALL DISABLE   | Default                     | Default |
| RS-422 CUE-UP MODE          | WITH VIDEO    | Default                     | Default |
| AUTO OFF                    | OFF           | OFF                         | ON      |
| AUTO REWIND                 | ON            | OFF                         | ON      |
| INDEX WRITE                 | AUTO          | Default                     | Default |
| CASSETTE MEMORY SEARCH      | AUTO          | Default                     | Default |
| CASSETTE MEMORY ERASE       | ALL DATA      | Default                     | Default |
| PHOTO PB                    | FIELD         | Default                     | Default |
| DV EE OUT                   | OFF           | Default                     | Default |
| DISPLAY POSITION            | LOWER RIGHT   | Default                     | Default |
| CAUTION DISPLAY             | ON            | Default                     | Default |
| BEEP                        | ON            | Default                     | Default |
| TIME CODE (Only for DSR-40) | AUTO          | Default                     | Default |
| PREROLL TIME SELECT         | 7 SEC         | Default                     | Default |
| AFTER CUE-UP                | STOP          | Depending on editing unit   | Default |
| PB STILL DELAY              | 0 FRAME       | Default                     | Default |
| RECORDER MODE               | NORMAL PLAYER | Depending on editing unit   | Default |
| STILL TIMER                 | 8 SEC         | 4 MIN                       | Default |
| NEXT MODE FROM STILL        | STB OFF       | STEP FWD                    | Default |
| H PHASE COARSE              | –             | Depending on editing system | Default |
| H PHASE FINE                | –             | Depending on editing system | Default |
| SC 0/180                    | 0 DEG         | Depending on editing system | Default |
| SC PHASE                    | –             | Depending on editing system | Default |
| PB COMPONENT Y LEVEL        | –             | Depending on editing system | Default |
| PB COMPONENT B-Y LEVEL      | –             | Depending on editing system | Default |
| PB COMPONENT R-Y LEVEL      | –             | Depending on editing system | Default |
| COMPOSITE B-Y GAIN          | –             | Depending on editing system | Default |
| COMPOSITE R-Y GAIN          | –             | Depending on editing system | Default |
| AUDIO MIX BALANCE           | –             | Default                     | Default |
| AUDIO MODE                  | Fs48k         | Default                     | Default |
| JOG WITH SOUND              | ON            | ON                          | OFF     |

- **Default:** Set the menu option to be suitable for your usage; you can use with the default setting.
- **Depending on editing unit:** Set the menu option to be suitable for your unit.
- **Depending on editing system:** Set the menu option to be suitable for your system.

# Alarm Messages

Various messages appear on the monitor screen (“Err” appears in the display window). Check them with the following list.

| Message  | Meaning / Remedy   |
|--|--|
| PLEASE CONFIRM THE SAFETY SWITCH OF THE CASSETTE | Check that the protect tab is slid in so that the red portion visible.<br>→ Slide back the safety switch ( <i>see page 8</i> ).  |
| NO CASSETTE MEMORY                               | You try to erase cassette memory when there is no cassette memory.   |
| VCR IS RECORDING                                 | You press a certain operation button during recording or editing.  |
| PLEASE INSERT A NEW CASSETTE                     | Though no cassette is inserted in the cassette compartment, you press PLAY, etc. → Insert a cassette.  |
| THE TAPE IS REWOUND                              | You press REW at the beginning of the tape.  |
| PLEASE REWIND OR INSERT A NEW CASSETTE           | You try to start playback or recording at the tape end.<br>→ Rewind the tape or insert a new cassette.   |
| PLEASE SET THE CLOCK                             | When turning on the power, the clock has not been set.<br>→ Set the clock in the menu ( <i>see page 53</i> ).  |
| THIS PROGRAM IS COPYRIGHT PROTECTED              | You try to dub the tape on which copyright protect signals are recorded.   |
| CASSETTE MEMORY IS TOO LARGE TO ERASE            | You try to erase data on a tape having more than 16 Kbits memory capacity in INDEX DATA, DATE DATA, or PHOTO DATA mode.<br>→ Erase it in ALL DATA mode ( <i>see page 52</i> ). |
| WRITING ON CASSETTE MEMORY. PLEASE WAIT          | You do certain operation while the VCR is writing on cassette memory.<br>→ Operate after writing on cassette memory is complete.   |
| VCR IS IN DUP MODE                               | You press a certain operation button during duplication.   |

# Troubleshooting

| Symptom  | Cause / Remedy  |
|--|---|
| The power cannot be turned on.   | The power plug is disconnected. → Connect the plug.   |
| The unit will not operate even if the power has been turned on.  | <ul style="list-style-type: none"> <li>• The REMOTE/LOCAL switch is set to REMOTE. → Set it to LOCAL (See page 13).</li> <li>• Moisture condensation occurs.               <ul style="list-style-type: none"> <li>→ Turn off the power and disconnect the power plug. After about one minute, connect the plug and turn on the power.</li> <li>→ Wait for about one hour with the power turned on.</li> </ul> </li> <li>• The cassette is not inserted straight. → Insert it straight.</li> </ul> |
| The unit cannot be controlled using buttons on the unit.   | The REMOTE/LOCAL switch is set to REMOTE. → Set it to LOCAL (See page 13).  |
| The cassette cannot be ejected.  | The REMOTE/LOCAL switch is set to REMOTE. → Set it to LOCAL (See page 13).  |
| The cassette cannot be inserted, or it is ejected promptly.  | <ul style="list-style-type: none"> <li>• There is moisture condensation on the head drum. → Wait for about an hour.</li> <li>• The cassette is not inserted straight. → Insert it straight.</li> </ul>  |
| No picture.  | The video heads are dirty. → Clear the video heads using the supplied cleaning cassette.  |
| Noise appears on the screen.   | <ul style="list-style-type: none"> <li>• A damaged cassette is inserted. → Insert other cassette.</li> <li>• The video heads are dirty. → Clear the video heads using supplied cleaning cassette.</li> </ul>  |
| No picture via the DV jack.  | Reconnect an i.LINK cable (DV connecting cable) (not supplied).   |
| The audio is noisy.  | A damaged cassette is inserted. → Insert other cassette.  |
| The playback automatically starts when the power is turned on.   | The TIMER switch is set to REPEAT. → Set it to OFF (See page 13).   |
| The menu does not appear.  | Connect the video monitor to the MONITOR connector.   |
| The power cannot be turned off.  | The REMOTE/LOCAL switch is set to REMOTE. → Set it to LOCAL (See page 13).  |
| Edit point shifts.   | The editing accuracy is not adjusted. → Adjust the editing accuracy (See page 40).  |
| When inputting S-video or composite signal, the unit cannot output component signal in EE mode.  | This is not malfunction.  |
| The playback does not synchronized with the reference video signal when inputting DV signal.   | This is not malfunction. → Select S-video or video when you perform the playback synchronized with an external sync signal.   |
| Pause is released automatically.   | Pause mode is automatically released to protect the tape except in editing (See page 52).   |
| The jog control does not function after fast forwarding the tape to its end with equipment connected to the REMOTE connector (when the TIMER switch is set to REPEAT). | This is not malfunction. → Rewind the tape using the tape transport button.   |
| Auto Repeat does not function.   | <ul style="list-style-type: none"> <li>• The portion of the tape within 20 seconds from the top is not available for Auto Repeat. → Record for more than 20 seconds.</li> <li>• The TIMER switch is set to OFF. → Set it to REPEAT.</li> </ul>  |
| Noise occurs during dubbing using the DV jack.   | Input signal other than normal signal is input. → Set the input to DV input.  |
| The unit cannot be controlled with equipment connected to the REMOTE connector after the power is turned off (when AUTO OFF is set to ON).                             | This is not malfunction. → Turn on the power again.<br>→ Set AUTO OFF to OFF.   |
| Input signal selection is not available.   | You cannot select the input during playback or playback pause mode. → Stop the playback, and select the input.  |
| Duplication does not function.   | The DV formatted cassette is played back. → Play back the DVCAM formatted cassette, or perform normal recording.  |
| Editing accuracy is poor using the DV connection.  | Editing using the DV connection is not guaranteed.  |



## Notes on the videocassette recorder

### Do not install the unit in a place subject to direct sunlight or heat sources

If you do, its cabinet, mechanical parts, etc., may be damaged.

### Do not install the unit in an extremely hot place

If the unit is left in a car parked with its windows closed (especially in summer), its cabinet may be damaged or it may not work correctly.

### If the unit is brought directly from a cold to a warm location

Moisture may condense inside the unit and cause damage to the video head and tape. If you use the unit in a place subject to direct cold currents from an air conditioner, moisture may also condense inside the unit.

### Do not place a heavy objects on the unit

The cabinet may be damaged, or the VCR may not work correctly.

### Do not handle the recorder roughly

Avoid rough handling or mechanical shock.

### To avoid damaging the cabinet finish

Plastic is often used for the surface finishing of the recorder. Do not spray a volatile solvent such as an insecticide toward the cabinet or place rubber or vinyl products on the cabinet for a long time. If you do, the finish of the cabinet may be damaged or the coating may come off.

### Do not clean the cabinet with thinner or benzine

The cabinet may be damaged or its coating may come off. When you use a chemical-impregnated cloth, use it according to its directions.

### Clean the cabinet with soft dry cloth

When the cabinet is very dirty, clean it with a soft dry cloth lightly moistened with a mild detergent solution and finish it with dry cloth.

### Do not put magnetic objects close to the unit

Magnetic fields may damage the recording.

## Checking the video heads every 1000 hours

A VCR is a high-precision piece of equipment that records and plays back the picture on a magnetic tape. In particular, the video head and other mechanical parts become dirty or worn. To maintain a clean picture, we recommend maintenance every 1000 hours, though the using condition may differ depending on temperature, humidity, dust, etc.

## Cleaning of the video heads

If the video heads are contaminated, the pictures cannot be recorded properly or the playback pictures become noisy. If the following phenomena occur, use the cleaning cassette (supplied) to clean the heads.

- Square-shaped noise appears on the playback picture.
- A part of the playback picture does not move.
- The playback picture does not appear on the screen.

Symptoms caused by contaminated video heads



Normal picture



If these pictures appear on the screen, use the cleaning cassette.

## To use the cleaning cassette

Refer to your cleaning cassette's operating instructions.

After prolonged use, the video heads may become worn out. If optimum picture quality is not restored even after you have cleaned the video heads with the cleaning cassette, the video heads may have worn out. In that case, you have to replace the video heads with new ones. Please consult your Sony dealer.

## Notes on Use

---

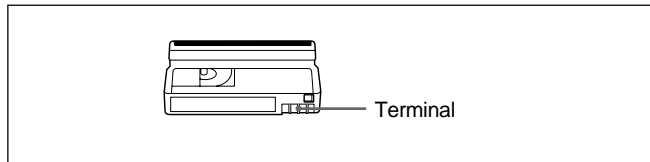
### Notes on the video cassettes

#### If the cassette memory function does not work

Reinsert the cassette a few times. The terminal portion of the cassette may be dusty or dirty.

#### Cleaning the terminal

If the terminal of the cassette gets dirty, or dust sticks to the terminal, the VCR may not work correctly. Clean the terminal with the swab once every ten times you eject a cassette.



#### When affixing a label on the cassette

Be sure to affix a label on only the correct location so as not to cause malfunction of the VCR.

#### After using a cassette

After use, please be sure to rewind the tape completely (to prevent picture and sound distortion). Return it to its case and store in upright position.

### About moisture condensation

If the unit or tape is brought directly from a cold to a warm location, moisture may condense inside or outside the unit or tape. If you use the tape or video heads in this condition, the tape may adhere to the head drum, and the video heads or the tape may be damaged, or malfunction may occur.

Moisture condensation is likely to occur under the following conditions:

- The unit is brought from the cold outdoors to a warm indoor location.
- The unit is brought from the air-conditioned indoors to the hot outdoors.
- The unit is used in a place subject to cold currents from an air conditioner.

When bringing the unit from a cold place to a warm place or vice versa, put it in a plastic bag and seal the bag tightly. After bringing it into the new place, leave the bag on for about an hour, and remove the bag when the air temperature inside it has reached the temperature surrounding it.

#### If moisture condensation occurred

You cannot operate the unit except to press EJECT. If you insert a cassette, it is ejected automatically. If this occurs, turn on the power, wait about an hour for the moisture to evaporate.

### Digital hours meter

The digital hours meter keeps cumulative counts of the head drum rotation time and the number of unthreading operations. These counts can be displayed on the monitor screen. Use them as guidelines for scheduling maintenance.

In general, consult your Sony dealer about necessary periodic maintenance checks.

The digital hours meter has the following two display modes and you can check them in the HOURS METER menu (*see page 53*).

#### • DRUM ROTATION mode

The cumulative total hours of drum rotation with tape threaded is displayed in 10-hour increments.

#### • THREADING mode

The cumulative number of tape unthreading operation is displayed in 10-operation increments.

---

## Self-diagnosis function

The unit is equipped with the self-diagnosis function that works to prevent the VCR from malfunctioning. A two-digit service number appears in the display window. In this case, check the following table.

| Number | Symptom  | Remedy  |
|--------|--|---|
| 32     | To prevent the unit from malfunctioning, the self-diagnosis function has worked. | <ul style="list-style-type: none"><li>• Disconnect the power cord. After reconnect it, operate the unit.</li><li>• Remove the cassette or turn on/off the unit.</li></ul> |
| 21     | Moisture condensation has occurred.  | Remove the cassette and leave the unit for at least one hour.   |

If you are unable to resolve the problem, contact your Sony dealer or local authorized Sony service facility and inform them of the number.

# Specifications

## System

Recording format DVCAM format, rotating 2-head helical scan, digital component recording

### Video signal

DSR-40: EIA STANDARD, NTSC color system  
DSR-40P: CCIR STANDARD, PAL colour system

## Video

Quantification 8-bit  
Standardization frequency  
DSR-40: 13.5 MHz (4:1:1 Component)  
DSR-40P: 13.5 MHz (4:2:0 Component)

## Audio

Quantification 12-bit (non-linear) or 16-bit (linear)  
Standardization frequency  
32 kHz (12-bit recording)  
or 48 kHz (16-bit recording)  
Usable cassettes Standard-DVCAM cassettes and Mini-DVCAM cassettes  
Recording time 184 minutes (when using the PDV-184ME cassette)  
40 minutes (when using the PDVM-40ME cassette)

## Clock

Quartz locked  
DSR-40: 12-hour cycle display  
DSR-40P: 24-hour cycle display  
Power back-up Built-in self-charging capacitor  
Back-up duration: up to 100 hours  
(After 8 hour charges)

## Inputs and outputs

INPUT S VIDEO: Mini DIN 4-pin  
Luminance signal: 1 Vp-p (75 ohms unbalanced)  
Chrominance signal:  
0.286 Vp-p (DSR-40)  
0.3 Vp-p (DSR-40P) (75 ohms unbalanced)  
VIDEO: BNC type  
Input signal: 1 Vp-p (75 ohms unbalanced)  
AUDIO: Phono jack (L, R)  
Input level: 2 Vrms (full bit)  
Input impedance: more than 47 kohms

## MONITOR

VIDEO: BNC type  
Output signal: 1 Vp-p (75 ohms unbalanced)  
AUDIO CH1/3: Phono jack  
Output level: 2 Vrms (full bit)  
Output impedance: less than 10 kohms  
AUDIO CH2/4: Phono jack  
Output level: 2 Vrms (full bit)  
Output impedance: less than 10 kohms

## OUTPUT

S VIDEO: Mini DIN 4-pin  
Luminance signal: 1 Vp-p (75 ohms unbalanced)  
Chrominance signal:  
0.286 Vp-p (DSR-40)  
0.3 Vp-p (DSR-40P) (75 ohms unbalanced)  
VIDEO: BNC type  
1 Vp-p (75 ohms unbalanced)  
Y: BNC type  
1 Vp-p (75 ohms unbalanced)  
R-Y: BNC type  
0.7 Vp-p (75 ohms unbalanced) (DSR-40: 75%, color bar / DSR-40P: 100%, color bar)  
B-Y: BNC type  
0.7 Vp-p (75 ohms unbalanced) (DSR-40: 75%, color bar / DSR-40P: 100%, color bar)  
AUDIO CH1/3: XLR 3-pin, male, +4 dBu, 600 ohms loading, balanced.  
AUDIO CH2/4: XLR 3-pin, male, +4 dBu, 600 ohms loading, balanced.

## REF. VIDEO INPUT

BNC type  
1 Vp-p (75 ohms unbalanced)

## CONTROL S

Minijack  
4-pin jack (i.LINK)

## REMOTE

D-sub 9-pin

## PHONES

Stereo minijack  
-2 dBu, 8 ohms, unbalanced (when volume is set to maximum)

**General**

Power requirements

- DSR-40: 120 V AC, 60 Hz
- DSR-40P: 220 – 240 V AC, 50 Hz

Power consumption

- DSR-40: 40 W, 120 V AC, 60 Hz
- DSR-40P: 40 W, 220 – 240 V AC, 50 Hz  
(during playback)

Peak inrush current

Hot switching inrush current, measured in accordance with European standard EN55103-1: 12A (230V)

Operating temperature

5°C to 40°C (41°F to 104°F)

Storage temperature

-20°C to +60°C (-4°F to +140°F)

Dimensions

Approx. 212 × 98 × 392 mm  
(8 3/8 × 3 7/8 × 15 1/2 inches)  
(w/h/d, including projecting parts and controls)

Mass Approx. 5 kg (11 lb.)

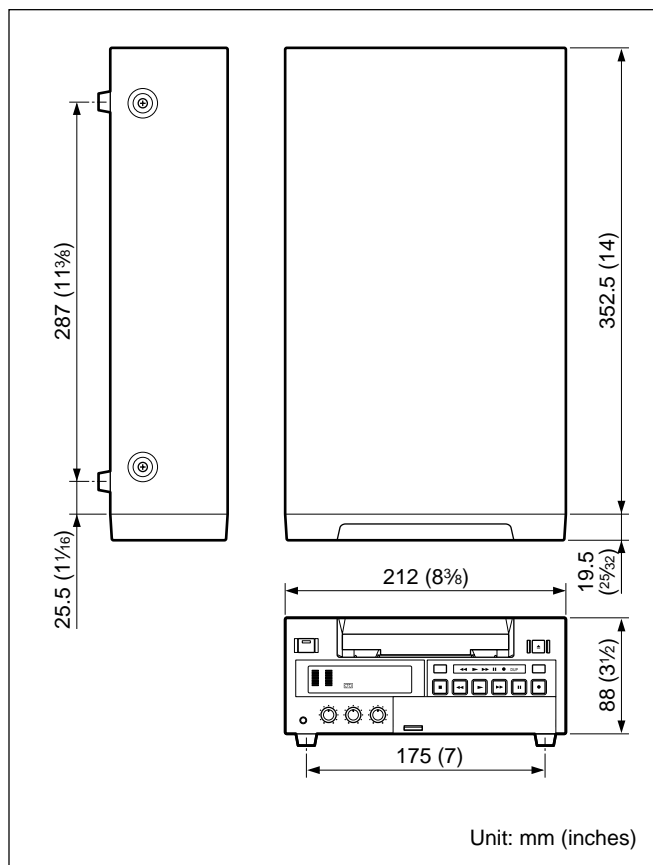
Supplied accessories

- AC power cord (1)
- Cleaning cassette (1)

Optional accessories

- DSRM-10/20 Remote Control Unit
- RCC-5G/10G/30G 9-pin remote control cable (length 5 m(16 ft)/ 10 m (33 ft)/30 m (98 ft))
- Digital video cassette
- Standard size: PDV-64ME/94ME/124ME/184ME
- Mini size: PDVM-12ME/22ME/32ME/40ME

Design and specifications are subject to change without notice.



# Compatibility of DVCAM and DV Format

DVCAM format is developed as a more reliable and higher end format than consumer DV format. Here are explained about DVCAM and DV formats: the differences, compatibility, and limitations on editing.

## Differences between DVCAM and DV format

| Item                               | DVCAM   | DV   |
|------------------------------------|---|--|
| Track pitch                        | 15µm  | 10µm   |
| Audio sampling frequency           | 12bit: 32kHz<br>16bit: 48kHz                                | 12bit: 32kHz<br>16bit: 32kHz, 44.1kHz, 48kHz |
| Audio recording mode <sup>1)</sup> | Lock mode   | Unlock mode                                  |
| Time mode                          | Drop frame system (DSR-40 only) or<br>Non-drop frame system | Drop frame system only                       |

- 1) There are two modes for audio recording, Lock mode and Unlock mode. In Lock mode, the sampling frequencies of audio and video are synchronized. In Unlock mode, which consumer DV format adopts, the two sampling frequencies are independent. Therefore, lock mode is more effective than unlock mode in digital processing and smooth transition during audio editing.

## DVCAM and DV cassettes

Both DVCAM and DV cassettes can be used on DVCAM or DV video equipment. The recording format of picture is defined according to recorder's format as described below.

| Recorder's format | Cassette's format | Recording format |
|-------------------|-------------------|------------------|
| DVCAM             | DVCAM<br>DV       | DVCAM            |
| DV                | DVCAM<br>DV       | DV               |

- This digital videocassette recorder complies with DVCAM format. Though DV cassettes can be used for recording, we recommend you to use DVCAM cassettes to get the most out of high reliability of DVCAM format.
- The recording time of DV cassettes is 2/3 shorter than that indicated on the DV cassettes.

## Compatibility on playback

Some tapes cannot be played back on DVCAM or DV video equipment.

| Tape            | On DV video equipment  | On DVCAM video equipment                              |
|-----------------|--|---|
| DV-formatted    | Can be played back   | Can be played back<br>(only when recorded in SP mode) |
| DVCAM-formatted | Some DV video equipment<br>may be able to play back<br>a DVCAM-formatted tape. | Can be played back                                    |

---

## Compatibility on editing using DV connection

When this digital videocassette recorder is connected to other DVCAM or DV video equipment using DV connectors, the recording format of edited tapes is defined according to recorder's format as described below.

| Source tape                   | Player's format  | Recorder's format | Recorded format                         |
|-------------------------------|------------------|-------------------|---|
| DV-formatted <sup>1)</sup>    | DVCAM            | DVCAM<br>DV       | DVCAM <sup>2)</sup><br>DV               |
| DV-formatted                  | DV               | DVCAM<br>DV       | DVCAM <sup>2)</sup><br>DV               |
| DVCAM-formatted <sup>3)</sup> | DVCAM            | DVCAM<br>DV       | DVCAM<br>DV <sup>4)</sup>               |
| DVCAM-formatted <sup>3)</sup> | DV <sup>5)</sup> | DVCAM<br>DV       | DVCAM <sup>6)</sup><br>DV <sup>4)</sup> |

- 1) DV-formatted tapes recorded in SP mode only can be used as source tapes.
- 2) When you copy a DV-formatted tape using DVCAM video equipment, the recorded format of the copied tape is the following DVCAM format.
  - Audio recording mode of the copied tape is unlock mode.
  - Time code of the copied tape is partly inaccurate.
- 3) If you use the DVCAM-formatted tape as described in 2) above, audio recording mode of the recorded tape is unlock mode and time code is partly inaccurate.
- 4) Audio recording mode of the edited tape is lock mode.
- 5) Some DV video equipment may be able to play back a DVCAM-formatted tape. Even if the tape is played back, contents of the playback cannot be guaranteed.
- 6) Depending on signal conditions of the source tape, you may not be able to edit the tape using DV connection.

---

## Limitations on editing

You will find the following limitations when editing.

- Due to the difference of a track pitch, you cannot record or edit on DV-formatted tapes using DVCAM video equipment.
- Depending on signal conditions, you may not be able to record or edit on DVCAM-formatted tapes. In these cases, copy the tape again using audio/video jacks.

## **A/B roll editing**

An editing method that uses two or more playback VCRs to create special effects such as dissolve and wipe, and uses one record VCR to record the results of the editing. Using an editing controller allows efficient control of the VCRs and very precise editing.

## **Audio recording mode**

In the DVCAM format, the sound is recorded in either 16bit (Fs48k) or 12bit (Fs32k) mode.

## **B–Y signal**

A chrominance signal determined by subtracting the Y (luminance) signal from the B (blue) signal. One of the component signals.

## **Chrominance signal**

Color signal containing color information such as hue and saturation. Also called C signal.

## **Component signal**

A video signal consisting of a luminance signal (Y) and two chrominance signals (R–Y, B–Y).

## **Composite signal**

A composite video signal containing video, burst and sync signals.

## **Condensation**

Condensation of moisture on the tape transport mechanisms of VCRs including the head drum. If moisture condenses on the head drum, the tape adheres to the drum and causes malfunction.

## **Drop frame mode**

In NTSC format, the actual number of frames per second is approximately 29.97, while that for SMPTE time code is specified as 30. Drop frame mode is a mode in which time code is advanced in such a way that the difference in frame value between real time and time code is corrected. In this mode, two frames are skipped at the beginning of each minute, except for every tenth minute, so that the frame value for time code matches that for real time. *See also* “Non-drop frame mode”.

## **Editing control unit**

A equipment for controlling a VCR, switcher, audio mixer, etc. in an editing system.

## **EBU**

European Broadcasting Union. Established by broadcasting and related organizations in Europe.

## **EE mode**

EE is an abbreviation of “Electric to Electric”. Video and audio signals are supplied to the VCR’s internal circuits, but not to the recording heads.

## **Head drum**

A metal cylinder to which a video head is attached. This drum is rotated at high speeds in synchronization with the sync signal during recording and playback.

## **Linear editing**

Editing while playing back video and audio signals recorded on video tape. *See also* “Non-linear editing”.

## **Luminance signal**

The signal that determines the brightness of the picture. Also called Y signal. One of the component signals.

## **Loading**

When being loaded, the tape is pulled out of the cassette case and threaded along the specified tape path and wrapped round the drum to be ready for recording or playback. Generally, this is done automatically when you place the cassette at the cassette entrance of the VCR. Also called threading.

## **Non-drop frame mode**

A mode of advancing time code in such a way that the difference in frame value between real time and time code is neglected. Using this mode produces a difference of approximately 86 seconds per day between real time and time code, which may cause problems when editing programs in units of seconds using the number of frames as a reference.

## **Non-linear editing**

Editing while playing back video and audio signals recorded on hard disks. Video scenes stored on disk can be cued up quickly, for increased editing efficiency. *See also* “Linear editing”.

## **PCM audio**

PCM stands for “pulse code modulation”. PCM audio means audio signals that have been processed by pulse code modulation. Each analog audio signal is converted into pulses that are generated in rapid succession, and each pulse is recorded as a digital signal having a value of 0 or 1.

## **Preroll**

Running of a video tape to a prior to an edit-start point to enable the tape to reach a steady speed and to be synchronized with other video tapes.

## **R–Y signal**

A chrominance signal determined by subtracting the Y (luminance) signal from the R (red) signal. One of the component signals.

## **Reference video signal**

A video signal consisting of a sync signal or sync and burst signals, used as a reference.

## **S/N**

Abbreviation of Signal-to-Noise (ratio). The higher the S/N value, the less noise and higher the picture quality.

## **Search mode**

A VCR operating mode used when searching for specific scenes, by viewing the video output or time code values while playing back the tape at various speeds in forward or reverse direction.

## **Servo lock**

Synchronizing the drum rotation phase and tape transport phase with a reference signal during playback and recording so that the video heads scan the tape in the same pattern during playback and recording.

## **SMPTE**

Abbreviation of Society of Motion Picture and Television Engineers. Established by broadcasting and related organizations in USA.

## **Standby Off mode**

One of two conditions in the stop mode. The drum does not rotate and tape is slackened. There is no damage to the video heads and the tape, but the VCR is not ready for immediate recording or playback.



### **Standby On mode**

One of two conditions in the stop mode. The drum is rotating and the tape is wrapped round the drum. The VCR is ready for recording or playback, so a still picture can be obtained.

### **Subcarrier**

A sine wave imposed on the luminance portion of a video signal and modulated to carry color information. Its amplitude represents color saturation and its phase, hue.

### **Superimpose**

To put a set of characters onto a picture so that both can be seen at the same time.

### **S-video**

A signal format in which Y (luminance) and C (chrominance) signals are separated to reduce interference between them so that noiseless images are reproduced.

### **Sync signal**

A reference signal consisting of vertical and horizontal sync signals used for synchronizing the scanning patterns of the video camera and the monitor.

### **TBC**

Abbreviation of Time Base Corrector. Electronic circuits to electrically stabilize the playback signals by removing color variation and roll in the playback picture caused by irregularity in drum rotation and tape movement. Time base correction reduces deterioration of picture quality when transmitting or copying playback signals.

### **Threading**

See "Loading".

### **Time code**

Signals recorded on the tape to supply information on tape position such as the hour, minute, second and frame, to assist in setting edit points or searching for particular scenes. This VCR can cope with both DF (Drop Frame) and NDF (Non Drop Frame).

On this VCR, the time code is recorded sequentially from "00:00:00:00," from the beginning of the tape. However, if there is a blank section on the tape, time code is reset and recorded from "00:00:00:00" again from the section just after the blank section. If the time codes are out of sequence, you may not be able to execute correct editing.

### **Unloading**

When being unloaded, the tape is put into the cassette case from the tape path of the VCR. Generally, this is done automatically when you press the EJECT button. Also called unthreading.

### **Unthreading**

See "Unloading".

### **12bit (Fs32k) mode**

In the DVCAM format, the 12bit (Fs32k) mode separates the audio area into 2 parts. You can record two kinds of audio, stereo 1 and stereo 2.

### **16bit (Fs48k) mode**

In the DVCAM format, the 16bit (Fs48k) mode uses the whole audio area to record one stereo track. You can get higher sound quality.

# Index

## A, B

|                               |    |
|-------------------------------|----|
| A/B Roll Editing System ..... | 35 |
| AC timer .....                | 21 |
| Audio mode .....              | 11 |
| Audio monitor system .....    | 36 |
| Auto repeat .....             | 21 |

## C

|   |    |
|---|----|
| Camcorder data .....                    | 20 |
| Cassette memory .....                   | 8  |
| Cleaning .....                          | 57 |
| Clock .....                             | 53 |
| Connections and Settings                |    |
| A/B roll editing system .....           | 35 |
| audio monitor system .....              | 36 |
| audio signals .....                     | 38 |
| control signals .....                   | 37 |
| cut editing system .....                | 33 |
| digital non-linear editing system ..... | 32 |
| reference video signals .....           | 36 |
| video monitor .....                     | 39 |
| video signals .....                     | 38 |
| Control signals .....                   | 37 |

## D, E

|   |            |
|---|------------|
| Date search .....                       | 20         |
| Drop Frame .....                        | 64         |
| Duplication .....                       | 28         |
| DV                                      |            |
| cassette .....                          | 62         |
| format .....                            | 62         |
| jack .....                              | 15, 16, 23 |
| DVCAM                                   |            |
| cassette .....                          | 8, 62      |
| format .....                            | 62         |
| Editing control unit settings .....     | 31         |
| Editing systems                         |            |
| A/B roll editing system .....           | 35         |
| cut editing system .....                | 33         |
| digital non-linear editing system ..... | 32         |
| Edit timing, adjusting .....            | 40         |

## F, G, H

|             |    |
|-------------|----|
| Fs32k ..... | 53 |
| Fs48k ..... | 53 |

## I, J, K

|                    |    |
|--------------------|----|
| i.LINK .....       | 15 |
| Index search ..... | 20 |
| Information .....  | 20 |

## L

|                 |    |
|-----------------|----|
| Lock mode ..... | 62 |
|-----------------|----|

## M

|                           |    |
|---------------------------|----|
| Menu .....                | 51 |
| Mini DVCAM cassette ..... | 8  |

## N, O

|                      |    |
|----------------------|----|
| Non Drop Frame ..... | 62 |
|----------------------|----|

## P, Q

|                         |    |
|-------------------------|----|
| Photo search .....      | 20 |
| Playback                |    |
| at various speeds ..... | 20 |
| frame by frame .....    | 20 |

## R

|                               |    |
|-------------------------------|----|
| Reference video signals ..... | 36 |
| Remaining time .....          | 11 |

## S

|                                   |    |
|-----------------------------------|----|
| Search .....                      | 20 |
| SIRCS .....                       | 6  |
| Standard DVCAM cassette .....     | 8  |
| Subcarrier phase, adjusting ..... | 45 |
| Sync phase, adjusting .....       | 45 |

## T

|                    |        |
|--------------------|--------|
| Tape counter ..... | 11, 13 |
| Time code .....    | 65     |

## U, V, W, X, Y, Z

|                       |    |
|-----------------------|----|
| Unlock mode .....     | 62 |
| Usable cassette ..... | 8  |



## Pour le DSR-40

### AVERTISSEMENT

Pour éviter tout risque d'incendie ou d'électrocution, ne pas exposer cet appareil à la pluie ou à l'humidité.

Pour éviter tout choc électrique, ne pas ouvrir l'appareil. Confier l'entretien de cet appareil à un personnel qualifié uniquement.

## Précautions

### Sécurité

- Faites fonctionner l'appareil sur une tension de 120 V CA, 60 Hz .
- Si un objet pénètre à l'intérieur de l'appareil, débranchez-le et faites-le vérifier par un personnel qualifié avant de le remettre en service.
- Débranchez l'appareil de la prise murale si vous comptez ne pas l'utiliser pendant une période prolongée. Pour débrancher le cordon, saisissez la fiche et non pas le cordon proprement dit.

### Installation

- Prévoyez une circulation d'air adéquate autour de l'appareil pour éviter toute surchauffe interne.
- Ne placez pas l'appareil sur des surfaces (tapis, couvertures, etc.) ou à proximité de matières (rideaux, tentures) qui pourraient obstruer les orifices de ventilation.
- Ne placez pas l'appareil à proximité de sources de chaleur telles que des radiateurs ou des bouches d'air chaud ou dans un endroit exposé au rayonnement direct du soleil, à un excès de poussière, à des vibration mécaniques ou à des chocs.
- N'installez pas l'appareil en position inclinée. Il est conçu pour fonctionner uniquement à l'horizontal.
- L'appareil n'est pas conçu comme un système portable. Installez-le correctement sur une surface plane et stable. Couché sur le côté ou posé sur une surface inclinée à plus de 30 degrés, l'appareil risque de subir des dommages.
- Gardez l'appareil et les cassettes à l'écart d'appareils avec des aimants puissants comme les fours à micro-ondes ou de grands haut-parleurs.
- Ne placez pas d'objets lourds sur l'appareil.
- Si l'appareil est amené sans transition d'un endroit froid à un endroit chaud, de la condensation peut se former à l'intérieur du magnétoscope et endommager la tête vidéo et la bande. Lorsque vous installez l'appareil pour la première fois ou lorsque vous le déplacez d'un endroit froid vers un endroit chaud, attendez environ une heure avant de le faire fonctionner.

---

## Informations

### Systèmes couleur compatibles

Le DSR-40 est conçu pour effectuer un enregistrement/lecture au moyen du système couleur NTSC. L'enregistrement de sources vidéo reposant sur d'autres systèmes couleur ne peut pas être garanti.

### Attention

Les programmes télévisés, les films, les cassettes vidéo et autres matériaux peuvent être protégés par des droits d'auteur. Tout enregistrement illicite de tel matériel peut être contraire aux réglementations sur les droits d'auteur. De même, l'utilisation de cet enregistreur pour des émissions de télévision câblée peut nécessiter l'autorisation du propriétaire de l'émission de télévision câblée et/ou du programme.

# AVERTISSEMENT

Pour éviter tout risque d'incendie ou d'électrocution, ne pas exposer cet appareil à la pluie ou à l'humidité.

Pour éviter tout choc électrique, ne pas ouvrir l'appareil. Confier l'entretien de cet appareil à un personnel qualifié uniquement.

## Précautions

### Sécurité

- Cet appareil fonctionne sur une tension de 220 – 240 V CA, 50 Hz. Vérifiez que la tension de fonctionnement de cet appareil est identique à la tension d'alimentation locale.
- Si un objet pénètre à l'intérieur de l'appareil, débranchez-le et faites-le vérifier par un personnel qualifié avant de le remettre en service.
- L'appareil est toujours sous tension tant qu'il reste branché à la prise secteur, même si l'appareil est éteint.
- Débranchez l'appareil de la prise murale si vous comptez ne pas l'utiliser pendant une période prolongée. Pour débrancher le cordon, saisissez la fiche et non pas le cordon proprement dit.

### Installation

- Cet appareil est équipé d'un ventilateur à l'arrière. N'insérez pas d'objets et ne touchez pas le ventilateur pendant son fonctionnement.
- Pour prévenir toute surchauffe interne, placez l'appareil à 5 cm des murs et époussetez-le régulièrement.
- Ne placez pas l'appareil sur des surfaces (tapis, couvertures, etc.) ou à proximité de matières (rideaux, tentures) qui pourraient obstruer les orifices de ventilation.
- Ne placez pas l'appareil à proximité de sources de chaleur telles que des radiateurs ou des bouches d'air chaud ou dans un endroit exposé au rayonnement direct du soleil, à un excès de poussière, à des vibrations mécaniques ou à des chocs.
- L'appareil n'est pas conçu comme un système portable. Installez-le correctement sur une surface plane et stable. Couché sur le côté ou posé sur une surface inclinée à plus de 30 degrés, l'appareil risque de subir des dommages.
- Gardez l'appareil et les cassettes à l'écart d'appareils avec des aimants puissants comme les fours à micro-ondes ou de grands haut-parleurs.
- Ne placez pas d'objets lourds sur l'appareil.
- Si l'appareil est transporté sans transition d'un endroit froid à un endroit chaud, de la condensation peut se former à l'intérieur du magnétoscope et endommager la tête vidéo et la bande. Lorsque vous installez l'appareil pour la première fois ou lorsque vous le déplacez d'un endroit froid vers un endroit chaud, attendez entre une et deux heures avant de le faire fonctionner.

## Informations

### Systèmes couleur compatibles

Le DSR-40P est conçu pour effectuer un enregistrement/lecture au moyen du système couleur PAL. L'enregistrement de sources vidéo reposant sur d'autres systèmes couleur ne peut pas être garanti.

### Attention

Les programmes télévisés, les films, les cassettes vidéo et autres matériaux peuvent être protégés par des droits d'auteur. Tout enregistrement illicite de tel matériel peut être contraire aux réglementations sur les droits d'auteur. De même, l'utilisation de cet enregistreur pour des émissions de télévision câblée peut nécessiter l'autorisation du propriétaire de l'émission de télévision câblée et/ou du programme.

### Pour les clients européens

Ce produit portant la marque CE est conforme à la fois à la Directive sur la compatibilité électromagnétique (EMC) (89/336/CEE) et à la Directive sur les basses tensions (73/23/CEE) émises par la Commission de la Communauté européenne.

La conformité à ces directives implique la conformité aux normes européennes suivantes:

- EN60065: Sécurité des produits
- EN55103-1: Interférences électromagnétiques (émission)
- EN55103-2: Sensibilité électromagnétique (immunité)

Ce produit est prévu pour être utilisé dans les environnements électromagnétiques suivants:

E1 (résidentiel), E2 (commercial et industrie légère), E3 (urbain extérieur) et E4 (environnement EMC contrôlé ex. studio de télévision).

# Table des matières

## Chapitre 1

### Aperçu

|  |           |
|--|-----------|
| <b>Caractéristiques .....</b>                    | <b>6</b>  |
| Remarques à propos des cassettes vidéo .....     | 8         |
| Remarques sur l'enregistrement/lecture .....     | 9         |
| <b>Emplacement des pièces et commandes .....</b> | <b>10</b> |
| Panneau avant .....                              | 10        |
| Panneau arrière .....                            | 14        |

## Chapitre 2

### Lecture et enregistrement

|   |           |
|---|-----------|
| <b>Lecture .....</b>                      | <b>16</b> |
| Raccordements pour la lecture .....       | 16        |
| Réglages pour la lecture .....            | 18        |
| Procédure de lecture .....                | 19        |
| Fonctions de lecture .....                | 20        |
| <b>Enregistrement .....</b>               | <b>23</b> |
| Raccordements pour l'enregistrement ..... | 23        |
| Réglages pour l'enregistrement .....      | 25        |
| Procédure d'enregistrement .....          | 27        |

## Chapitre 3

### Utilisation de l'appareil comme lecteur dans un système de montage

|  |           |
|--|-----------|
| <b>Remarques sur l'utilisation du système de montage ..</b>                  | <b>30</b> |
| <b>Raccordements pour un système de montage non-linéaire numérique .....</b> | <b>32</b> |
| <b>Raccordements pour un système de montage de coupures .....</b>            | <b>33</b> |
| <b>Raccordements pour un système de montage à roulement A/B .....</b>        | <b>35</b> |
| <b>Réglage de la précision du montage .....</b>                              | <b>40</b> |
| <b>Ajustement des phases de synchro et de sous-porteuse .....</b>            | <b>44</b> |
| <b>Réglage des signaux .....</b>   | <b>47</b> |

---

## **Chapitre 4**

### **Utilisation de l'appareil comme enregistreur dans un système de montage**

Utilisation de l'appareil comme enregistreur avec un FXE-100/100P/120/120P ..... 49

---

## **Chapitre 5**

### **Réglages du menu**

**Modification des réglages de menu ..... 51**

Modification des réglages du menu SET UP MENU ..... 51

Contenu du menu ..... 51

Réglages recommandés dans le menu SET UP ..... 54

---

## **Chapitre 6**

### **Entretien et guide de dépannage**

**Messages d'alarme ..... 55**

**Dépannage ..... 56**

**Remarques sur l'utilisation ..... 57**

**FR**

---

## **Annexe**

**Spécifications ..... 60**

**Compatibilité du format DVCAM et DV ..... 62**

**Glossaire ..... 64**

**Index ..... couverture dos**

# Caractéristiques

Le DSR-40/40P est un magnétoscope numérique de 1/4 de pouce utilisant le format d'enregistrement numérique DVCAM. Ce système permet d'obtenir des images stables et de haute qualité grâce au traitement numérique des signaux vidéo, qui sont séparés en signaux de différence de couleur et en signaux de luminance (vidéo composante).

Raccordé à une EditStation<sup>MD</sup> Sony, il constitue une partie d'un système de montage non-linéaire puissant<sup>1)</sup>. L'appareil est équipé d'une interface analogique à part entière supportant les systèmes hybrides qui combinent les appareils analogiques conventionnels aux équipements numériques.

Les caractéristiques principales du DSR-40/40P sont décrites ci-dessous.

## Format DVCAM

Le format DVCAM est basé sur le format DV grand public, qui utilise le format numérique composant 4:1:1 (DSR-40) ou le format 4:2:0 (DSR-40P), et fournit un format d'enregistrement numérique de 1/4 pouce en vue d'une utilisation professionnelle.

## Image de haute qualité et de haute stabilité

Les signaux vidéo sont séparés en signaux de différence de couleur et en signaux de luminance qui sont codés et comprimés à 1/5ème de leur taille avant d'être enregistrés afin de garantir une qualité d'image stable et superbe.

Etant donné que l'enregistrement est numérique, la duplication multi-génération peut s'effectuer pratiquement sans détérioration de la qualité.

## Large entraxe de piste

L'entraxe de la piste d'enregistrement est de 15 µm, soit 50 pour cents de plus que le format DV et son entraxe de piste de 10 µm. Grâce à cette caractéristique, le format DVCAM répond amplement

aux exigences de fiabilité et de précision posées par le secteur professionnel du montage.

## Bande son numérique PCM de haute qualité

L'enregistrement PCM assure une large plage dynamique et un rapport signal/bruit élevé, ce qui contribue à améliorer la qualité du son.

Il existe deux modes d'enregistrement : le mode à 2 canaux (échantillonnage à 48 kHz et code linéaire à 16 bits), qui offre une qualité audio équivalente au format DAT (cassette audio numérique), ou le mode à 4 canaux (échantillonnage à 32 kHz et code non linéaire à 12 bits).

## Compatibilité de lecture avec le format DV

Une cassette DV enregistrée sur un magnétoscope au format DV peut être reproduite sur cet appareil. (Les cassettes enregistrées en mode LP ne peuvent pas être reproduites.)

## Choix entre deux tailles de cassettes

L'appareil accepte les cassettes DVCAM de taille standard et de taille mini.

- En fonction de la taille de la cassette, elle change automatiquement la position de la plaque d'entraînement de la bobine.
- Les temps d'enregistrement/lecture maximum sont de 184 minutes pour les cassettes de taille standard et de 40 minutes pour les minicassettes.

## Pratique pour un montage hautement efficace

Cet appareil offre une foule de fonctions qui améliorent l'efficacité et la précision de montage.

### 1) Montage non-linéaire

Une méthode de montage qui utilise des signaux vidéo et audio codés numériquement et enregistrés sur un disque dur en tant que données numériques. Comparé aux

méthodes de montage conventionnelles (linéaires), le montage non-linéaire assure une efficacité de montage bien meilleure, par exemple par l'élimination du temps de transport de la bande.



---

## Télécommande

L'appareil peut se commander au moyen d'une télécommande au départ d'un pupitre de montage qui supporte l'interface RS-422A ou à partir d'un contrôleur à distance de type SIRCS<sup>1)</sup> tel que les appareils DSRM-10 ou DSRM-20 en option.

---

## Fonction de recherche à grande vitesse

Si vous utilisez la télécommande en option, l'appareil comporte une fonction de recherche d'image qui vous permet de visualiser une image couleur à des vitesses de lecture jusqu'à 14 fois (DSR-40) ou 17 fois (DSR-40P) plus rapides que la vitesse normale tant vers l'avant que vers l'arrière.

Lorsque vous commandez cet appareil à distance en mode aléatoire au départ d'un contrôleur de montage ou d'une télécommande, vous pouvez effectuer une recherche à la vitesse de votre choix comprise dans une plage allant de 0 (arrêt sur image) à 14 fois la vitesse normale (DSR-40) ou 17 fois la vitesse normale (DSR-40P) dans les deux sens. Vous pouvez également effectuer une recherche image par image en mode jog.

Vous pouvez également entendre le son de lecture audio.

---

## Fonction audio jog

Si vous utilisez la télécommande en option, les signaux peuvent être contrôlés à différentes vitesses de lecture en mode jog. Les signaux audio sont enregistrés dans la mémoire et ensuite reproduits à la même vitesse que la vitesse de recherche. Cela vous permet d'utiliser la lecture audio pour trouver les points de montage voulus.

## Autres caractéristiques

---

### Interfaces de sortie analogiques

L'appareil est fourni avec des interfaces de sortie analogiques qui permettent de le raccorder à un appareil audio et vidéo analogique.

- Vidéo analogique : Inclut des sorties vidéo composite, vidéo composante (Y/R–Y/B–Y) et S-vidéo.
- Audio analogique : Les sorties audio analogiques XLR (3 broches) sont fournies.

---

### Fonction de "lecture à la mise sous tension" (en mode de lecture répétée)

Vous pouvez démarrer immédiatement la lecture lorsque l'appareil est mis sous tension.

---

### Taille compacte

L'appareil est proposé dans un taille compacte permettant son utilisation lors de manifestations ou de noces. L'appareil est également équipé de fonctions de base qui sont nécessaires pour les enregistreurs et lecteurs de vidéocassettes utilisés dans les systèmes numériques de montage vidéo.

---

### Système de menu pour une fonctionnalité accrue et réglages d'exploitation

Cet appareil comprend un système de menu facilitant ses nombreuses fonctions et le paramétrage de ses commandes.

---

### Fonction de surimpression

Le code temporel, les indications de mode d'exploitation, menus, messages d'alarme et autres données de texte peuvent apparaître en surimpression et sortir sous forme de signaux vidéo composite analogiques.

---

### Fonction d'entretien simplifié

Les fonctions d'horamètre numérique incluent deux types d'opérations de contrôle pour les heures d'utilisation du tambour de la tête et le nombre de bobinage/débobinage de cassette. Les résultats du contrôle peuvent être visualisés sur le moniteur vidéo.

---

1) **SIRCS (Sony Integrated Remote Control System):**  
Un protocole de commande prévu pour télécommander

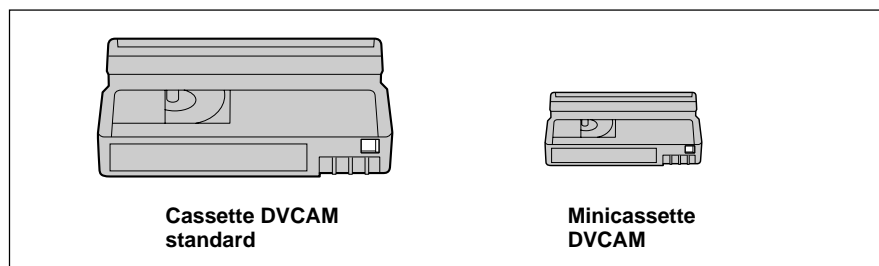
des magnétoscopes enregistreurs/lecteurs professionnels Sony.

## Remarques à propos des cassettes vidéo

### Cassettes utilisables

Ce magnétoSCOPE n'accepte que des cassettes DVCAM standard ou des minicassettes DVCAM. Le PDV-184ME peut enregistrer des programmes pendant 184 minutes et le PDVM-40ME offre 40 minutes d'enregistrement.

Les cassettes DVCAM utilisées avec ce magnétoSCOPE numérique vous permettront d'obtenir des images de la meilleure qualité. Il est possible que d'autres cassettes n'offrent pas une aussi bonne qualité. Nous vous recommandons d'utiliser des cassettes DVCAM pour offrir la meilleure qualité d'enregistrement à vos événements uniques.

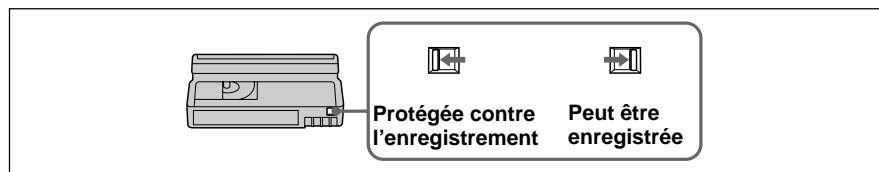


### Mémoire de la cassette

La mémoire de la cassette est une caractéristique optionnelle équipant certaines cassettes DVCAM standard et minicassettes DVCAM. Lorsque vous enregistrez un programme, la date et l'heure d'enregistrement ainsi que la position du programme sur la cassette sont mémorisés dans la cassette de sorte que vous puissiez localiser rapidement le programme ultérieurement. **CIII 16K** indique que vous pouvez utiliser des cassettes pouvant enregistrer jusqu'à 16 Kbits de données. Ce magnétoSCOPE vous permet d'utiliser des cassettes allant jusqu'à 16 Kbits de données.

### Pour protéger l'enregistrement

Pour éviter tout risque d'effacement accidentel d'un enregistrement, faites coulisser le sélecteur sur la cassette pour faire apparaître la portion rouge. Pour enregistrer sur une cassette, faites coulisser le sélecteur pour dissimuler la portion rouge.

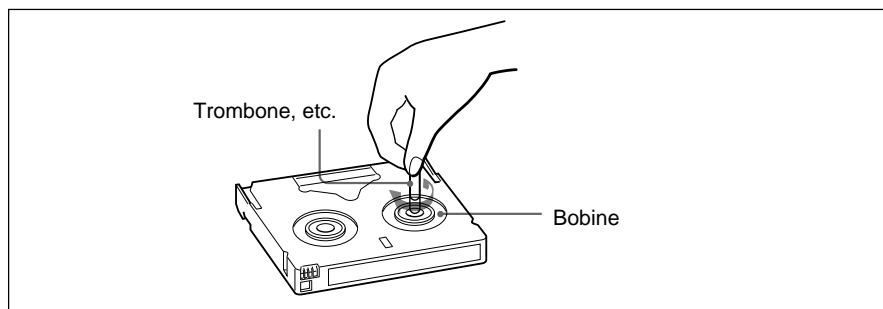


#### Remarque

**DVCAM**, **DN**, **Mini DN** et **CIII** sont des marques de commerce.

## Vérification du mou de la bande

A l'aide d'un trombone ou d'un objet similaire, faites tourner la bobine délicatement dans le sens indiqué par la flèche. Si la bobine ne bouge pas, c'est qu'il n'y a pas de mou dans la bande. Introduisez la cassette dans le compartiment à cassette et sortez-la après environ 10 secondes.



## Remarques sur l'enregistrement/lecture

### Précautions sur les droits d'auteur

#### A propos de l'enregistrement

Vous ne pouvez pas enregistrer de matériel comportant des signaux de protection des droits d'auteur sur ce magnétoscope. Si vous lancez l'enregistrement de signaux vidéo et audio, un message d'avertissement apparaît sur l'écran du moniteur et le magnétoscope s'arrête.

#### A propos de la lecture

Lorsque vous reproduisez des enregistrements comportant des signaux de protection des droits d'auteur sur ce magnétoscope, il est possible que vous ne puissiez pas les copier sur d'autres appareils.

### Restrictions dues à la différence de format

Ce magnétoscope peut enregistrer, reproduire et effectuer le montage de cassettes enregistrées dans le format DVCAM. Il peut également reproduire les cassettes enregistrées dans le format DV (mode SP). Toutefois, en raison de la différence de format, il se peut que vous ne puissiez pas enregistrer ou effectuer le montage de certaines cassettes affectées par les conditions d'enregistrement de la cassette (p.ex., une cassette initialement enregistrée dans le format DV est dupliquée dans le format DVCAM). Pour plus de détails, reportez-vous à "Compatibilité du format DVCAM et DV" à la page 62.

### Pas de compensation pour le contenu de l'enregistrement

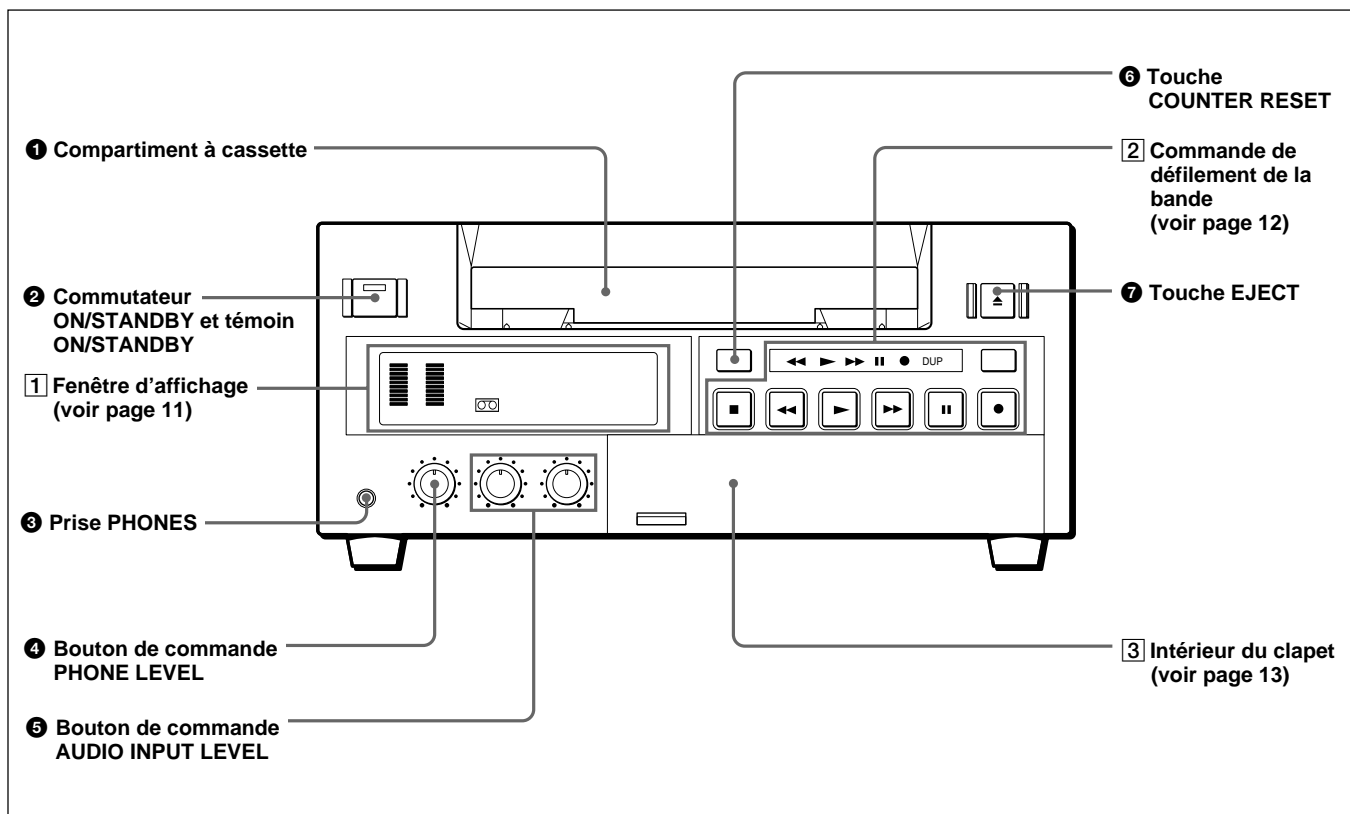
Le contenu de l'enregistrement ne peut pas être compensé si l'enregistrement ou la lecture n'a pas lieu en raison d'un dysfonctionnement du magnétoscope, de la cassette vidéo, etc.

#### Remarque

Vous ne pouvez pas reproduire sur ce magnétoscope une cassette DVCAM enregistrée dans d'autres systèmes couleur.

# Emplacement des pièces et commandes

## Panneau avant



### 1 Compartiment à cassette

Accepte les vidéocassettes numériques DVCAM de taille standard ou mini. Lorsque vous utilisez une minicassette, introduisez-la au centre du compartiment. *Pour plus de détails sur les cassettes utilisables, reportez-vous à la page 8.*

### 2 Commutateur ON/STANDBY et témoin ON/STANDBY

Appuyez sur ce commutateur pour mettre l'appareil sous tension et le témoin ON/STANDBY s'allume en vert. Appuyez à nouveau dessus pour activer le mode de veille, et le témoin passe alors au rouge.

#### Remarque

Lorsque le commutateur REMOTE/LOCAL est réglé sur REMOTE, vous ne pouvez pas activer l'appareil en mode de veille.

### 3 Prise PHONES (miniprise stéréo)

Branchez des écouteurs stéréo pour contrôler l'enregistrement ou la lecture au moyen des écouteurs.

Le signal audio que vous désirez contrôler peut être sélectionné au moyen du sélecteur AUDIO MONITOR à l'intérieur du clapet (3).

### 4 Bouton de commande PHONE LEVEL

Commande le volume des écouteurs raccordés au prise PHONES.

### 5 Boutons de commande AUDIO INPUT LEVEL

Lors de l'enregistrement, vous pouvez utiliser ces boutons pour régler le niveau d'entrée du son pour le canal CH-1 et le canal CH-2 respectivement.

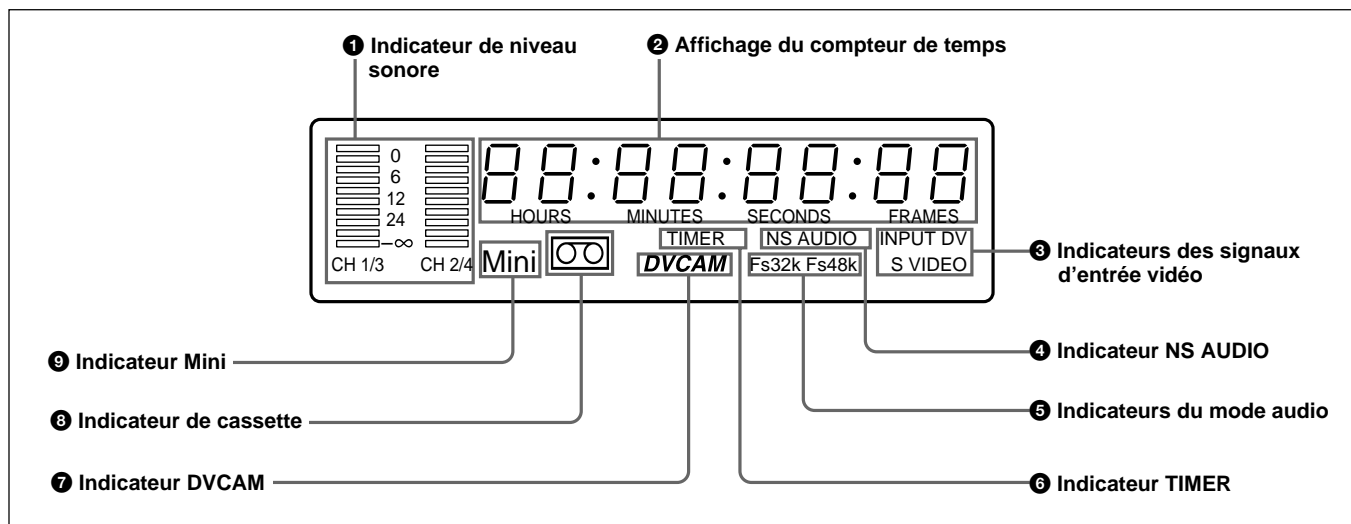
### 6 Touche COUNTER RESET

Appuyez sur cette touche pour remettre le compteur de bande de la fenêtre d'affichage sur "0:00:00 (0H00M00s)". Cette touche ne fonctionne pas lors de l'affichage du code temporel ou du temps restant.

### 7 Touche EJECT

Appuyez sur cette touche pour éjecter une cassette.

## 1 Fenêtre d'affichage



### 1 Indicateur de niveau sonore

Indique le niveau d'enregistrement en cours d'enregistrement ou en mode EE et le niveau de lecture en cours de lecture. Lorsque le niveau sonore dépasse 0 dB, l'indicateur rouge s'allume.

#### Remarque

Si vous reproduisez une cassette dont le signal audio n'a été enregistré que sur le canal 2, il se peut que l'indicateur de niveau audio pour CH2/4 ne fonctionne pas.

### 2 Affichage du compteur de temps

Indique ce qui suit:

- Données temporelles: valeur de comptage du compteur de temps, code temporel et temps restant.
- Messages d'alarme (voir page 55).
- Messages de la fonction d'autodiagnostic (voir page 59).

#### Remarques

- Sur le DSR-40P: Le code temporel est uniquement réglé en mode de non-compensation en temps réel.
- Le code temporel est indiqué comme suit:  
**Système d'image désynchronisée:** "00:00.00:00"  
 (DSR-40 uniquement)  
**Système d'image non désynchronisée:**  
 "00:00:00:00"

### 3 Indicateurs des signaux d'entrée vidéo

Indique les signaux d'entrée vidéo actuellement sélectionnés. INPUT VIDEO, INPUT S VIDEO ou INPUT DV s'allume.

### 4 Indicateur NS (Non Standard) AUDIO

S'allume lorsque le magnéscope reproduit une cassette dont l'enregistrement audio a été réalisé en mode déverrouillé ou lorsque des signaux en mode déverrouillé sont entrés via la prise DV.

Pour plus de détails sur le mode de déverrouillage, reportez-vous à la page 62.

### 5 Indicateurs du mode audio

Indique le mode audio en cours de lecture ou d'enregistrement ou en mode EE.

- En cours de lecture, il indique le mode audio dans lequel la cassette a été enregistrée.
- En cours d'enregistrement ou en mode EE, ils indiquent le mode d'enregistrement audio actuellement sélectionné. Vous pouvez sélectionner le mode d'enregistrement audio en réglant le menu "AUDIO MODE" (voir page 53).  
**Fs32k:** S'allume lors de la reproduction de cassettes enregistrées en mode 4 canaux ou lors de l'enregistrement d'une cassette en mode 4 canaux.  
**Fs48k:** S'allume lors de la reproduction de cassettes enregistrées en mode 2 canaux ou lors de l'enregistrement d'une cassette en mode 2 canaux.

#### Remarque

Lors de l'enregistrement en mode 4 canaux sur ce magnéscope, les signaux audio sont enregistrés uniquement dans les canaux 1/2.

### 6 Indicateur TIMER

S'allume lors du réglage du commutateur TIMER sur REPEAT.

### 7 Indicateur DVCAM

S'allume sauf pendant la lecture de cassettes formatées DV.

### 8 Indicateur de cassette

S'allume lors de l'introduction d'une vidéocassette numérique dans ce magnéscope. Il clignote lors de l'éjection de la cassette.

### 9 Indicateur Mini

S'allume lors de l'introduction d'une vidéocassette numérique de taille mini.

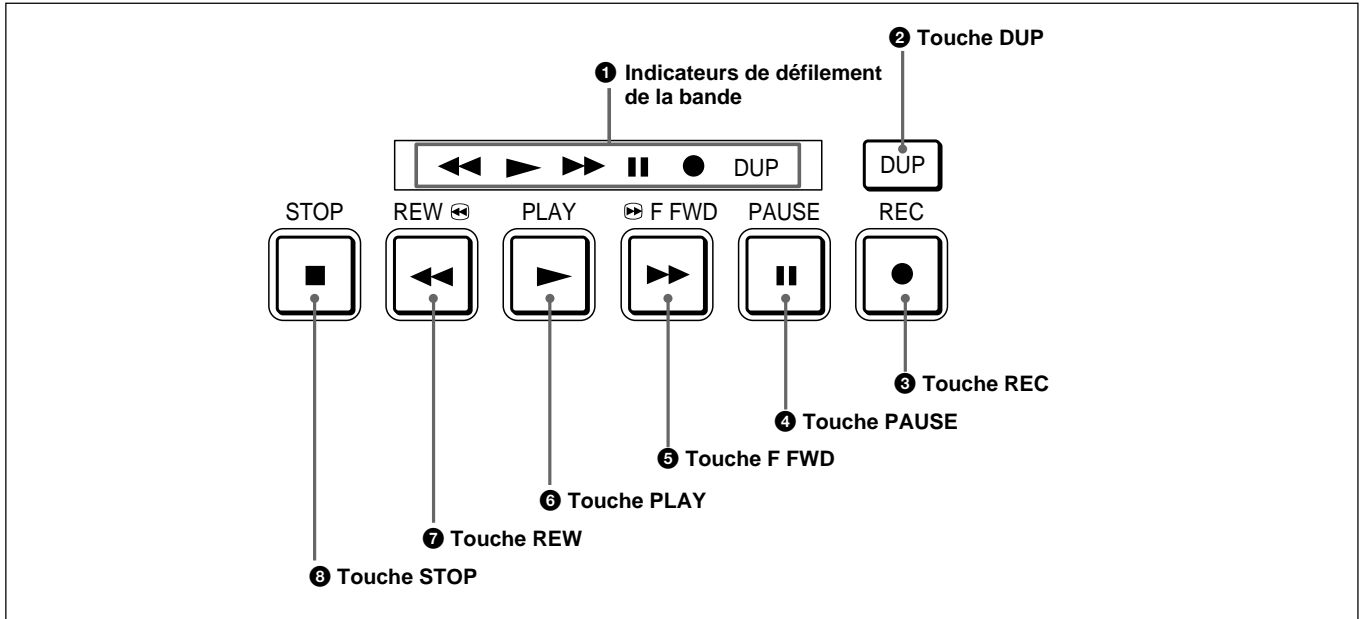
# Emplacement des pièces et commandes

## 2 Commande de défilement de la bande

### Remarque

Lorsque la cassette arrive au début ou en fin de bande lors d'un rebobinage ou d'une avance rapide, l'appareil passe en mode de pause de lecture. Le mode

de pause de lecture est ensuite désactivé au terme de la durée définie dans le menu "STILL TIMER" (voir page 53).



### 1 Indicateur de défilement de la bande

### 2 Touche DUP (duplication)

Utilisez cette touche pour que la cassette de travail comprenne les mêmes codes temporels que la cassette source.

Pour plus de détails sur la duplication, reportez-vous à la page 28.

### 3 Touche REC (enregistrement)

Lorsque vous appuyez sur la touche PLAY tout en maintenant cette touche enfoncée, l'indicateur s'allume et l'enregistrement commence. Pour mettre le magnétoscope en mode de pause d'enregistrement, appuyez sur la touche PAUSE tout en maintenant cette touche enfoncée.

### 4 Touche PAUSE

Lorsque vous appuyez sur cette touche, l'indicateur s'allume et le magnétoscope se met en mode de pause.

### 5 Touche F FWD (avance rapide)

Lorsque vous appuyez sur cette touche, l'indicateur s'allume et la cassette avance rapidement. En cours d'avance rapide, l'image n'apparaît pas sur le moniteur (vous pouvez vous reporter à l'image du mode EE en cours d'avance rapide).

Pour rechercher vers l'avant, maintenez cette touche enfoncée en cours d'avance rapide.

### 6 Touche PLAY

Lorsque vous appuyez sur cette touche, l'indicateur s'allume et la lecture commence.

Si vous appuyez sur cette touche tout en maintenant la touche REW enfoncée en mode d'arrêt, la cassette est rebobinée jusqu'au début et la lecture commence automatiquement (en cours de rebobinage, l'indicateur REW s'allume et l'indicateur PLAY clignote).

### 7 Touche REW (rebobinage)

Lorsque vous appuyez sur cette touche, l'indicateur s'allume et la cassette commence le rebobinage. En cours de rebobinage, l'image n'apparaît pas sur l'écran du moniteur (vous pouvez vous reporter à l'image du mode EE en cours de rebobinage).

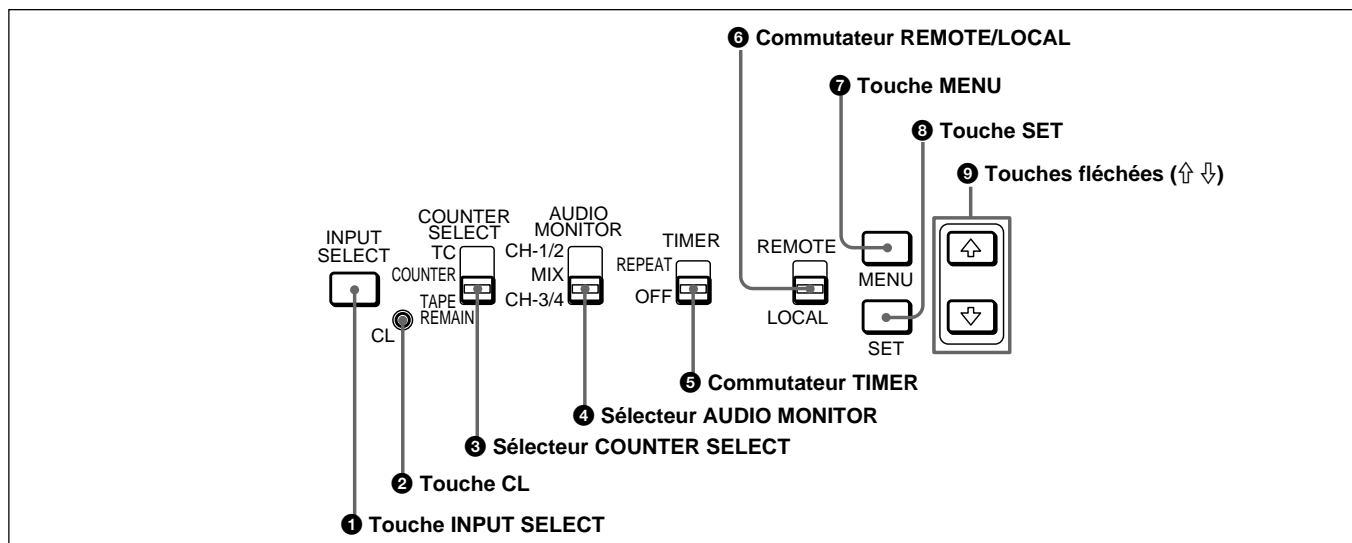
Pour rechercher vers l'arrière, maintenez cette touche enfoncée en cours de rebobinage.

Si vous appuyez sur la touche PLAY tout en maintenant cette touche enfoncée en mode d'arrêt, la cassette est rebobinée jusqu'au début et la lecture commence automatiquement (en cours de rebobinage, l'indicateur REW s'allume et l'indicateur PLAY clignote).

### 8 Touche STOP

Appuyez sur cette touche pour arrêter le défilement de la bande.

### 3 Intérieur du clapet



#### 1 Touche INPUT SELECT

Sélectionne les signaux d'entrée. Chaque pression sur cette touche permute entre trois options de signal vidéo: vidéo, S-vidéo et entrée DV. Lorsque vous sélectionnez l'une de ces options, l'indicateur correspondant s'allume dans la fenêtre d'affichage.

#### 2 Touche CL (effacement)

Appuyez sur cette touche pour activer l'appareil en statut de reconnexion du cordon d'alimentation. Lorsque vous appuyez sur cette touche, le réglage du menu n'est pas initialisé.

#### 3 Sélecteur COUNTER SELECT

Sélectionnez le type de données temporelles dans la fenêtre d'affichage du compteur de temps.

**TC:** Code temporel

**COUNTER:** Valeur de comptage du compteur de temps

**TAPE REMAIN:** Temps restant

#### 4 Sélecteur AUDIO MONITOR

Sert à sélectionner la piste audio que vous désirez écouter lors de la reproduction d'une cassette enregistrée en mode 4 canaux (Fs32k).

**CH-1/2:** Canaux 1/2 uniquement

**MIX:** Canaux 1/2 et canaux 3/4 (mix)

**CH-3/4:** Canaux 3/4 uniquement

#### 5 Commutateur TIMER

Utilisez ce commutateur pour sélectionner la fonction de répétition automatique à l'aide d'un programmeur CA (non fourni).

**REPEAT:** Lorsque ce magnéto est sous tension, une cassette revient à son début automatiquement et la lecture commence. Le magnéto répète la lecture du début jusqu'au premier index (s'il n'y a pas d'index sur la cassette, jusqu'à la portion non enregistrée; s'il n'y a pas de portion non enregistrée, jusqu'à la fin de la cassette). La fonction de répétition automatique est également opérante si vous réglez ce commutateur sur REPEAT en cours de lecture.

**OFF:** La fonction de répétition automatique est désactivée.

#### 6 Commutateur REMOTE/LOCAL

Sélectionne si l'appareil est commandé depuis le panneau avant ou par un appareil externe (à distance).

**REMOTE:** L'appareil est commandé depuis un contrôleur de montage raccordé au connecteur REMOTE. Les touches de commande de cassette disponibles (sur le panneau frontal ou la télécommande en option) sont définies dans le menu.

**LOCAL:** L'appareil est commandé depuis son panneau frontal, ou au départ d'une télécommande SIRCS raccordée à la prise CONTROL S.

## Emplacement des pièces et commandes

### 7 Touche MENU

Appuyez sur cette touche pour afficher le menu sur l'écran du moniteur. Appuyez de nouveau pour revenir de l'affichage du menu à l'affichage normal.

#### Remarque

Si vous mettez le commutateur REMOTE/LOCAL sur REMOTE lorsque le menu est affiché sur le moniteur, celui-ci revient à l'affichage normal.

Pour savoir comment utiliser le menu, reportez-vous au Chapitre 5 "Réglages du menu".

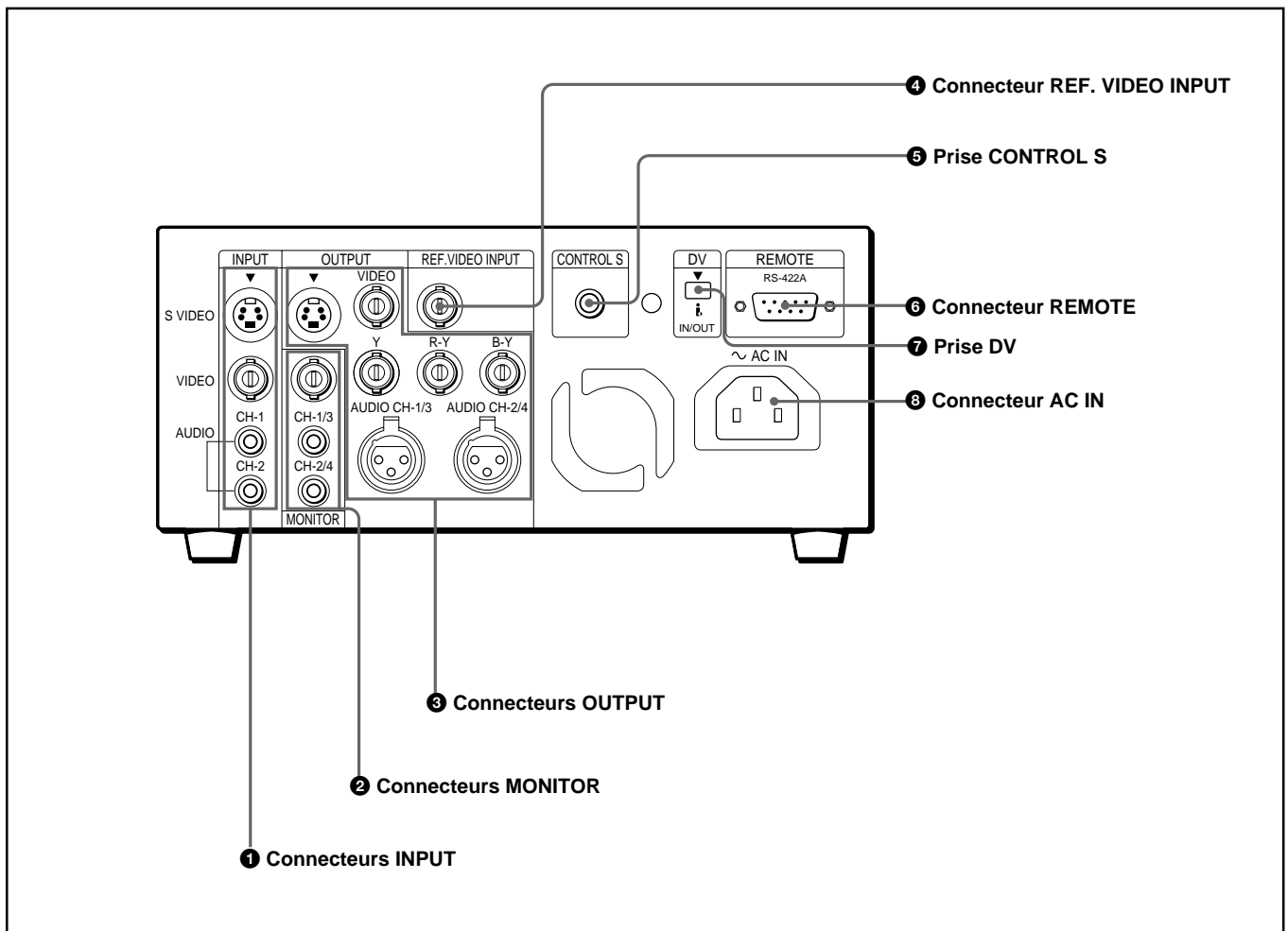
### 8 Touche SET

Appuyez sur cette touche pour sauvegarder les paramètres du menu sélectionnés.

### 9 Touches fléchées (↑ ↓)

Utilisez ces touches pour vous déplacer parmi les options de menu.

## Panneau arrière



### 1 Connecteurs INPUT

Entrée des signaux audio et vidéo. Pour raccorder un magnétoscope doté d'une prise de sortie S-vidéo, utilisez la prise S VIDEO de ce magnétoscope.

### 2 Connecteurs MONITOR

Sortie des signaux vidéo et audio pour la surveillance.

### 3 Connecteurs OUTPUT

Sortie des signaux audio et vidéo. Pour raccorder un magnétoscope doté d'une prise d'entrée S-vidéo, utilisez la prise S VIDEO de ce magnétoscope. Pour raccorder un magnétoscope doté de connecteurs d'entrée composante, utilisez les connecteurs Y, R-Y, B-Y de ce magnétoscope.



**Remarque sur le mode EE**

Lorsque des signaux S-vidéo, vidéo ou DV sont entrés, ce magnétoscope ne peut sortir de signaux composante. Vous pouvez uniquement sortir le signal composante en cours de lecture normale.

**④ Connecteur REF. VIDEO INPUT (type BNC)**

Entrée d'un signal (synchronisation du noir) vidéo de référence.

**⑤ Prise CONTROL S**

Pour commander ce magnétoscope au départ d'une télécommande en option comme une DSRM-10/20 (non fournie), raccordez l'appareil à cette prise.

**Remarque**

Le système SIRCS possède la même fonction que le système CONTROL S.

**⑥ Connecteur REMOTE (D-sub 9 broches)**

Raccordez un pupitre de montage avec l'interface RS-422A pour une commande à distance de ce magnétoscope.

**⑦ Prise DV**

La prise DV est compatible avec i.LINK. A utiliser lorsque l'appareil raccordé au magnétoscope dispose d'une prise DV.

Si vous raccordez le magnétoscope et l'autre appareil à l'aide de prises DV, vous pouvez minimiser la détérioration de la qualité d'image pendant la duplication, ou la capture d'images fixes par traitement numérique. Pour plus de détails, reportez-vous au mode d'emploi de l'appareil utilisé.

**Remarque**

**i** est une marque commerciale de Sony Corporation et indique que ce produit est conforme aux spécifications IEEE1394-1995 et à leurs amendements.

**⑧ Connecteur AC IN**

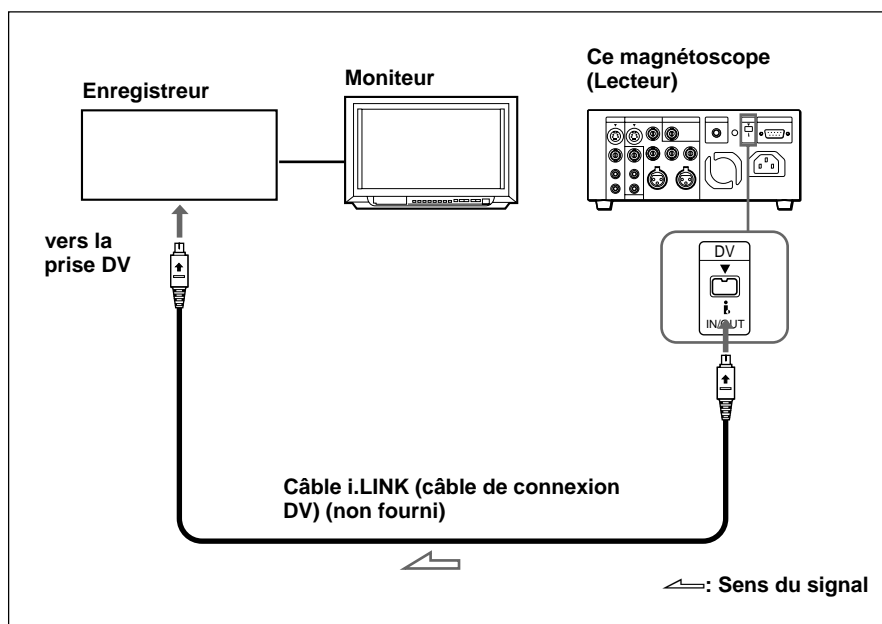
A raccorder à la prise électrique CA au moyen du cordon d'alimentation.

Cette section décrit les connexions, réglages et opérations nécessaires pour effectuer la lecture sur cet appareil. Les mêmes réglages et opérations s'appliquent que vous utilisez l'appareil au sein d'un système de montage, pour la duplication, ou comme lecteur vidéocassette autonome.

## Raccordements pour la lecture

### Vers un appareil vidéo numérique doté d'une prise DV

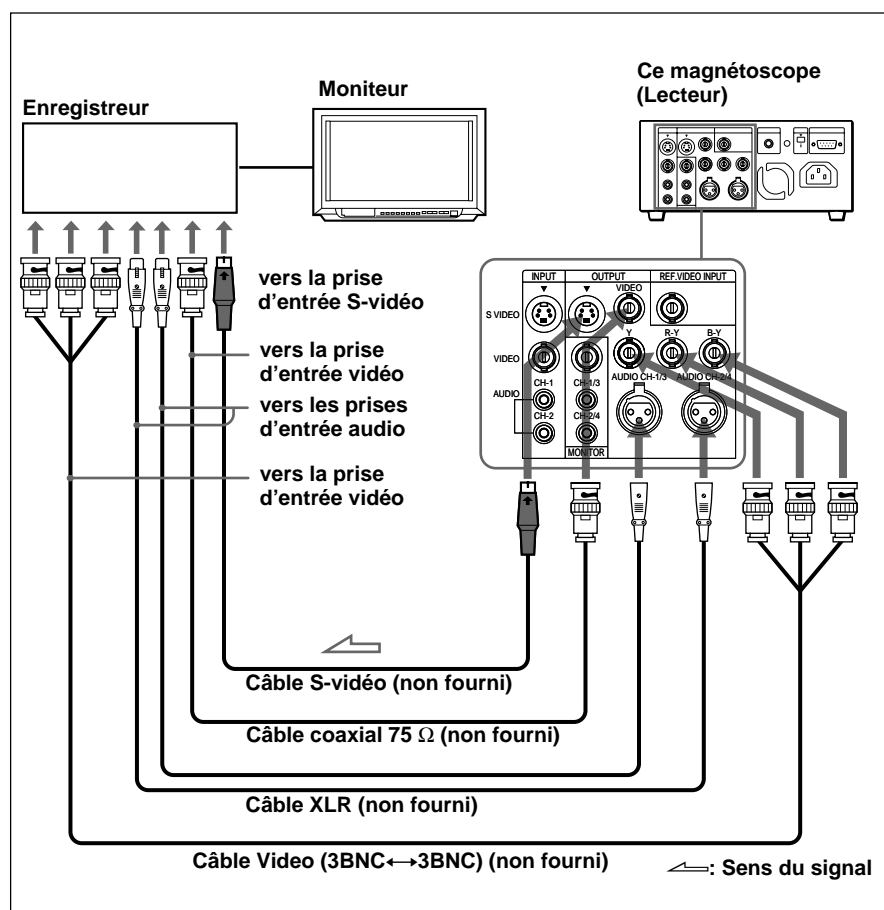
Les signaux audio et vidéo sont envoyés presque sans altération, ce qui permet un enregistrement de haute qualité. Le sens du signal est détecté automatiquement ce qui vous évite de devoir établir des connexions séparées pour l'entrée et la sortie.



#### Remarques

- La fonction de verrouillage externe de cet appareil supporte uniquement les signaux de synchronisation standard. Avec un raccordement DV, sélectionnez l'entrée DV avec la touche INPUT SELECT de ce magnétoscope pour éviter tout dysfonctionnement résultant de parasites, etc.
- Réglez DV EE OUT dans le menu sur OFF (voir page 52).
- Avec la connexion DV, le son est enregistré dans le même mode d'enregistrement audio que celui de la cassette source.
- Avec la connexion DV, les informations de cassette (date d'enregistrement, données de caméscope, etc.) enregistrées sur la cassette source sont transmises de ce magnétoscope (lecteur).

## Vers l'équipement vidéo sans prise DV



### Remarques

- Lorsque vous raccordez les prises de sortie de l'enregistreur aux prises d'entrée de ce magnétoscope, sélectionnez l'entrée correctement pour empêcher un bruit de ronflement.
- Les signaux distordus (p.ex., lorsqu'ils sont reproduits à une vitesse autre que la normale) ne seront pas enregistrés correctement.
- Les indications (code temporel, messages d'alarme, menus, etc.) affichées sur l'écran du moniteur ne sont sorties que via le connecteur MONITOR.
- Si l'entrée DV est sélectionnée, vous ne pouvez pas exécuter de lecture synchronisée avec le signal (synchronisation du noir) vidéo de référence.

## Réglages pour la lecture

---

### Préparation du lecteur (ce magnétoscope)

- 1** Mettez le moniteur vidéo sous tension et sélectionnez ensuite l'entrée du moniteur en fonction des signaux d'entrée du magnétoscope.
- 2** Procédez au réglage de l'enregistreur.  
*Pour plus de détails, reportez-vous à "Préparation de l'enregistreur" ci-dessous.*
- 3** Mettez cet appareil sous tension en appuyant sur le commutateur ON/STANDBY.  
  
Le témoin ON/STANDBY s'allume en vert.
- 4** Lorsque vous reproduisez une cassette enregistrée en mode à 4 canaux (Fs 32k), réglez le sélecteur AUDIO MONITOR sur MIX (*voir page 13*). Sélectionnez ensuite l'équilibre précis entre les plages avec le paramètre AUDIO MIX BALANCE dans le menu (*voir page 53*).

#### Remarques

- Avec la connexion DV, AUDIO MONITOR (sélection du son) et AUDIO MIX BALANCE (réglage de la balance audio) du magnétoscope de lecture ne fonctionnent pas sur la sortie audio source via la prise DV.
- Vous ne pouvez pas changer la sélection du signal d'entrée en cours de lecture ou en mode de pause de lecture.

### Préparation de l'enregistreur

- Introduisez une cassette pour l'enregistrement.
- Sélectionnez les signaux d'entrée vidéo et audio à enregistrer.

#### Remarque

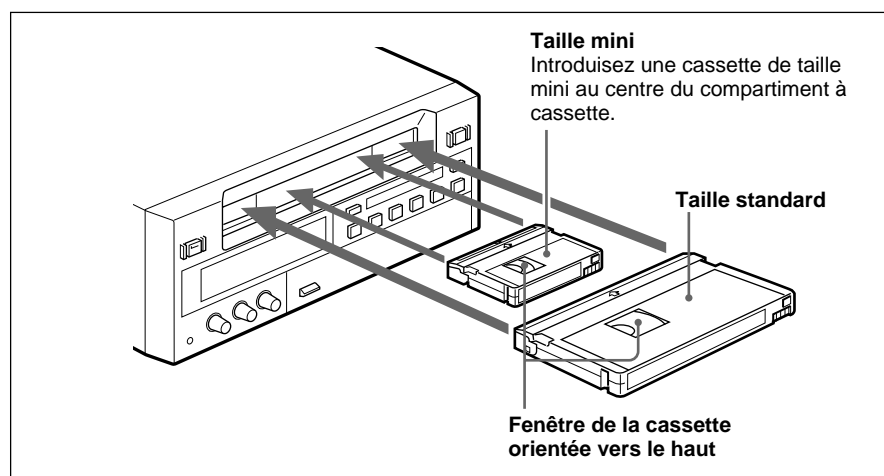
Le montage n'est pas possible avec une cassette protégée par des droits d'auteur.

## Procédure de lecture

### Remarques

- Lorsque vous commandez cet appareil depuis un contrôleur de montage raccordé au connecteur REMOTE, réglez le commutateur REMOTE/LOCAL sur REMOTE. Sinon, réglez-le sur LOCAL.
- N'introduisez pas de cassette de force. Cela pourrait endommager le magnéto.

- 1** Après avoir vérifié si la bande ne présentait pas de mou, maintenez la cassette de sorte que la fenêtre de la cassette soit orientée vers le haut, puis introduisez-la dans cet appareil comme illustré ci-dessous.  
*Pour plus de détails sur la vérification du mou de la bande, reportez-vous à la page 9.*



La cassette est automatiquement introduite dans l'appareil.

- 2** Appuyez sur PLAY.

Cette opération entame la lecture.

## Fonctions de lecture

Vous pouvez exploiter différentes fonctions de lecture à l'aide de la télécommande en option.

*Pour plus de détails, reportez-vous au mode d'emploi fourni avec la télécommande.*

### **Lecture à différentes vitesses (JOG)**

Vous pouvez reproduire à différentes vitesses ou image par image.

### **Recherche (SHUTTLE)**

Vous pouvez localiser aisément la scène de votre choix et vous pouvez définir les points de montage de manière rapide et précise.

### **Recherche à l'aide de la fonction d'index (DSRM-20 uniquement)**

Trois sortes de recherche sont disponibles sur ce magnétoscope:

- Recherche du début des enregistrements: recherche indexée
- Recherche d'un endroit sur une cassette où la date d'enregistrement change: recherche par date
- Recherche de scènes enregistrées en mode photo au moyen d'un caméscope numérique: recherche de photo

#### **Remarque**

Si l'entrée vidéo ou S-vidéo est sélectionnée et si aucun signal n'est entré en mode de recherche, l'écran de recherche devient parasité. En pareil cas, entrez le signal ou sélectionnez l'entrée DV.

*Pour une description des opérations de recherche via un appareil externe, reportez-vous au mode d'emploi de l'appareil.*

### **Affichage des informations de cassette (DSRM-20 uniquement)**

Si vous enregistrez sur une cassette à l'aide d'un caméscope numérique Sony DSR-200/200P/200A/200AP/PD100/PD100P, les données du caméscope (la vitesse d'obturateur, le mode programme AE, la balance du blanc, le diaphragme et le gain) peuvent être enregistrées sur la cassette. Vous pouvez vérifier ces données en cours de lecture sur ce magnétoscope.

## Répétition automatique (Auto Repeat)

Ce magnétoSCOPE peut répéter la lecture de tout ou d'une partie de la cassette.

**1** Mettez le commutateur TIMER du panneau frontal sur REPEAT.  
L'indicateur TIMER du panneau avant s'allume.

**2** Appuyez sur REW pour rebobiner la bande jusqu'au début.

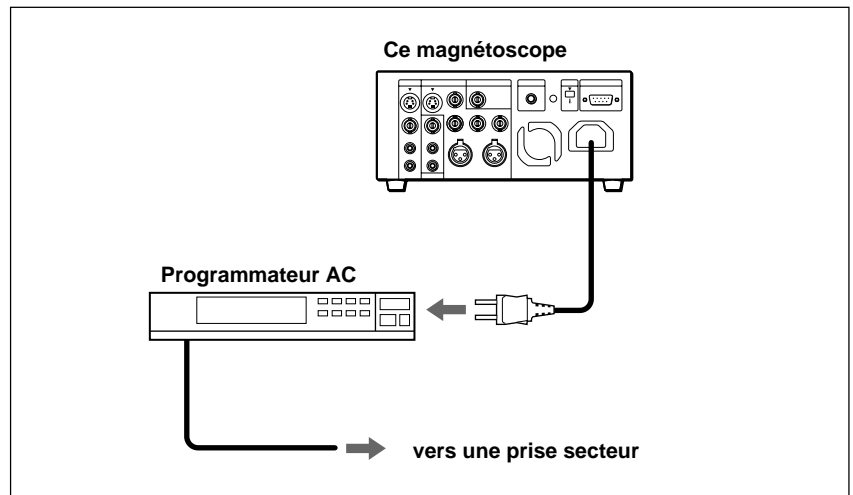
**3** Appuyez sur PLAY.

La lecture commence. Le magnétoSCOPE répète la lecture depuis le début jusqu'au premier index (s'il n'y a pas d'index sur la cassette, jusqu'à la portion non enregistrée; s'il n'y a pas de portion non enregistrée, jusqu'à la fin de la cassette).

### Auto Repeat à l'aide d'un programmeur AC externe

Si vous raccordez un programmeur AC externe (non fourni) à ce magnétoSCOPE, vous pouvez répéter la lecture automatiquement à l'heure prédéfinie.

**1** Raccordez le programmeur AC externe (non fourni) à ce magnétoSCOPE.



**2** Mettez le commutateur TIMER du panneau frontal sur REPEAT.  
L'indicateur TIMER de la fenêtre d'affichage s'allume.

**3** Réglez l'heure de démarrage en utilisant le programmeur AC externe.

A l'heure prédéfinie, l'appareil se met sous tension et la lecture Auto Repeat commence automatiquement en moins d'une minute. Le magnétoSCOPE répète la lecture depuis le début jusqu'au premier index (s'il n'y a pas d'index sur la cassette, jusqu'à la portion non enregistrée; s'il n'y a pas de portion non enregistrée, jusqu'à la fin de la cassette).

## **Remarques**

- Le magnéscope ne peut pas effectuer de recherche d'index ou de portion non enregistrée pendant les 20 premières secondes du début de la bande.
- Lorsqu'une cassette tourne, ne mettez pas l'appareil hors tension à l'aide du programmeur AC externe. Cette opération pourrait endommager le magnéscope et la cassette. Lors de la mise hors tension du magnéscope, veuillez tout d'abord à appuyer sur la touche STOP de ce magnéscope pour arrêter le défilement de la bande, puis mettez l'appareil hors tension.

## **Pour arrêter Auto Repeat**

Appuyez sur la touche STOP.

## **Pour annuler le mode Auto Repeat**

Mettez le commutateur TIMER sur OFF.

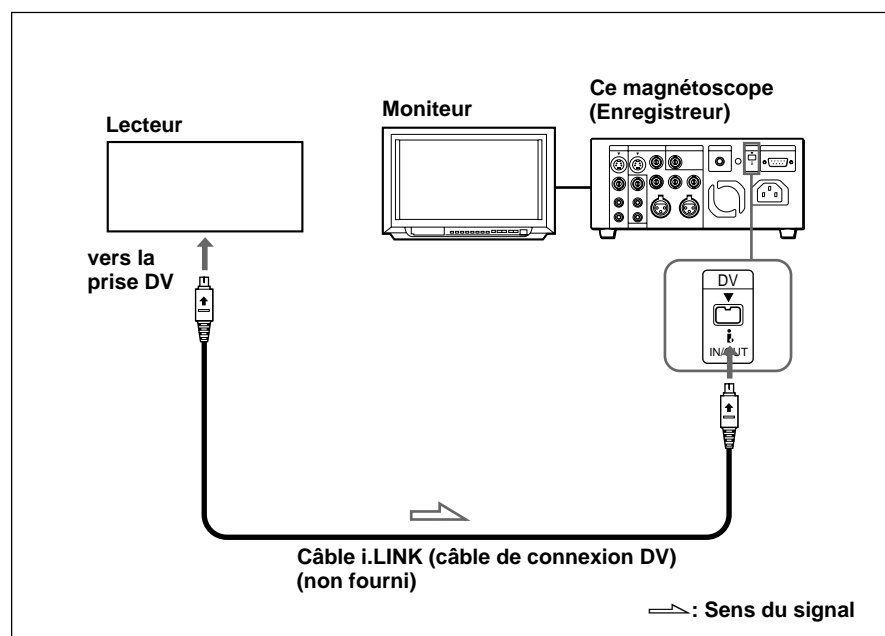


Cette section décrit les connexions, réglages et opérations nécessaires pour effectuer un enregistrement sur cet appareil. Les mêmes réglages et opérations s'appliquent que vous utilisiez l'appareil au sein d'un système de montage, pour la duplication, ou comme enregistreur autonome.

## Raccordements pour l'enregistrement

### Vers un appareil vidéo numérique doté d'une prise DV

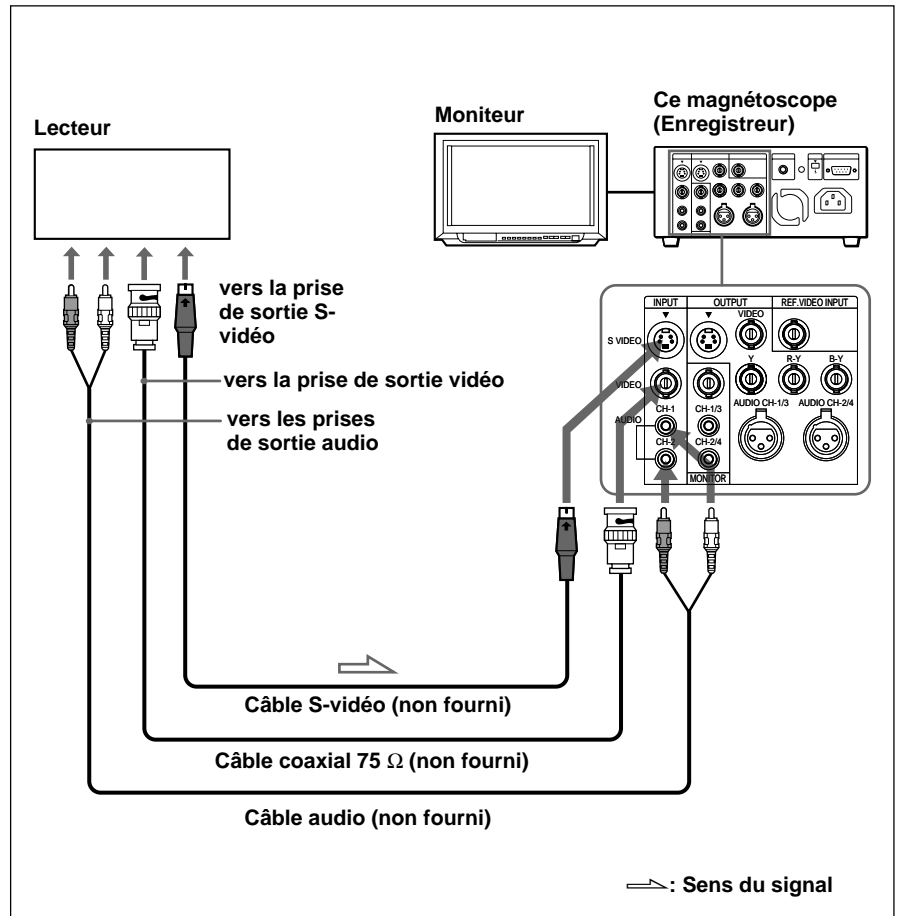
Les signaux audio et vidéo sont envoyés presque sans altération, ce qui permet un enregistrement de haute qualité. Le sens du signal est détecté automatiquement ce qui vous évite de devoir établir des connexions séparées pour l'entrée et la sortie.



#### Remarques

- Avec une connexion DV, le son est enregistré dans le même mode d'enregistrement audio que celui de la cassette source. Pour enregistrer dans un mode d'enregistrement audio différent de celui de la cassette source, utilisez les connecteurs INPUT à la place.
- Avec une connexion DV, les informations relatives à la cassette (date d'enregistrement, données du caméscope, etc.) enregistrées sur la cassette source sont transmises par l'autre magnétoscope (lecteur). Par conséquent, lorsque vous reproduisez une cassette enregistrée et que vous appuyez sur la touche DATA CODE de la télécommande DSRM-20 en option, les mêmes informations de cassette que celles enregistrées sur la cassette source sont affichées sur l'écran du moniteur. Le contenu de la mémoire de la cassette n'est cependant pas transmis. De plus, le code temporel est réenregistré sur la cassette de ce magnétoscope, sauf lors de la copie d'une cassette en mode de duplication.

## Vers l'équipement vidéo sans prise DV



### Remarques

- Pendant l'enregistrement de signaux d'entrée analogiques, ce magnétoscope peut sortir les signaux numériquement en vue de leur sauvegarde. Réglez DV EE OUT dans le menu sur ON (voir page 52).
- Lorsque vous raccordez les prises de sortie de ce magnétoscope aux prises d'entrée du lecteur, sélectionnez l'entrée correctement pour empêcher un bruit de ronflement.
- Les signaux distordus (p.ex., lorsqu'ils sont reproduits à une vitesse autre que la normale) ne seront pas enregistrés correctement.
- Les indications (code temporel, messages d'alarme, menus, etc.) affichées sur l'écran du moniteur ne sont sorties que via le connecteur MONITOR.

## Réglages pour l'enregistrement

### Préparation de l'enregistreur (ce magnétoscope)

#### Remarques

- Avant de procéder à l'enregistrement, réglez l'horloge du magnétoscope de manière à ce que la durée d'enregistrement puisse être inscrite dans le signal d'index. Vous pouvez régler l'horloge à l'aide du menu CLOCK SET (voir page 53).
- Lorsque cet appareil est commandé au départ d'un pupitre de montage raccordé au connecteur REMOTE, mettez le commutateur REMOTE/LOCAL sur REMOTE. Dans le cas contraire, mettez le commutateur sur LOCAL.
- Il n'est pas possible d'effectuer le montage sur une cassette protégée par des droits d'auteur.

- 1** Mettez le moniteur vidéo sous tension et sélectionnez ensuite l'entrée du moniteur en fonction des signaux d'entrée de cet appareil.
- 2** Réglez le lecteur pour la lecture d'une cassette.  
*Pour plus de détails, reportez-vous à "Préparation du lecteur" à la page suivante.*
- 3** Mettez cet appareil sous tension en appuyant sur le commutateur ON/STANDBY.

Le témoin ON/STANDBY s'allume en vert.

- 4** Utilisez le sélecteur COUNTER SELECT pour sélectionner le type de données temporelles à utiliser.

| Type de données temporelles             | Réglez le sélecteur sur |
|---|-------------------------|
| Code temporel                           | TC                      |
| Valeur de comptage du compteur de temps | COUNTER                 |

- 5** Sélectionnez les signaux d'entrée vidéo et audio à enregistrer.

Appuyez sur INPUT SELECT pour sélectionner les signaux voulus. Chaque pression sur cette touche donne successivement les trois options de sélection du signal: vidéo, S-vidéo et l'entrée DV. Chaque sélection est signalée par un indicateur allumé dans la fenêtre d'affichage.

#### Remarque

Une fois que vous avez commencé l'enregistrement, vous ne pouvez pas changer la sélection du signal d'entrée (sauf en mode de pause d'enregistrement).

- 6** Si vous utilisez les connexions de ligne (connecteurs INPUT), sélectionnez le mode audio.

Sélectionnez le mode désiré à l'aide du menu AUDIO MODE.

| Mode audio    | Mettez le menu sur |
|---------------|--------------------|
| mode 2 canaux | Fs48k              |
| mode 4 canaux | Fs32k              |

*Pour savoir comment utiliser le menu, reportez-vous au Chapitre 5 "Réglages du menu".*

### Remarques

- Dans le format DVCAM, il existe deux modes d'enregistrement audio, soit à deux canaux et 48 kHz, soit à quatre canaux et 32 kHz. Il n'est pas possible de sélectionner d'autres modes (par exemple quatre canaux et 48 kHz).
- Lors d'un enregistrement en mode 4 canaux sur ce magnétoscope, les signaux audio sont enregistrés uniquement sur les canaux 1/2.
- Dès que vous avez commencé l'enregistrement, vous ne pouvez pas changer la sélection du mode audio.

- 7** Utilisez les boutons de commande AUDIO INPUT LEVEL pour régler les niveaux d'entrée audio.

Tout en visualisant l'indicateur de niveau sonore (*voir page 11*), réglez le niveau de sorte que l'indicateur n'indique pas des valeurs plus élevées que 0 dB lorsque le signal audio est à son maximum.

Lorsque le niveau dépasse 0 dB, une distorsion du son se produit.

### Remarque

Avec une connexion DV, AUDIO MODE (sélection du son) et AUDIO INPUT LEVEL (réglage de la balance audio) du magnétoscope enregistreur sont inopérants.

## Préparation du lecteur

- Introduisez une cassette source.
- Si le magnétoscope lecteur dispose d'un commutateur EDIT, mettez-le sur ON.
- Désactivez l'affichage sur écran.

### Remarque

Avec la connexion DV, AUDIO MONITOR (sélection du son) et AUDIO MIX BALANCE (réglage de la balance audio) du magnétoscope de lecture ne fonctionnent pas sur la sortie audio source via la prise DV.

## Procédure d'enregistrement

- 1** Après avoir vérifié si le contacteur de sécurité de la cassette est réglé sur la position inscriptible et si la bande magnétique est tendue, saisissez la cassette de façon à ce que la fenêtre de la cassette soit orientée vers le haut et introduisez-la dans cet appareil.

*Pour plus de détails sur le commutateur de sécurité de la cassette, voir page 8. Pour plus de détails sur la vérification du mou de la bande, reportez-vous à la page 9.*

La cassette est automatiquement aspirée dans l'appareil et la bande s'enroule autour du tambour d'enregistrement. La cassette reste stationnaire pendant que le tambour d'enregistrement pivote.

- 2** Appuyez sur la touche de lecture du lecteur.

Cette touche permet de lancer la lecture sur le lecteur.

- 3** Maintenez REC de ce magnétoscope enfoncée et appuyez ensuite sur PLAY.

Cette touche permet de lancer l'enregistrement sur l'enregistreur.

### **Pour arrêter l'enregistrement**

Appuyez sur la touche STOP.

## Duplication

Si vous copiez une cassette source à l'aide de la touche DUP (duplication) de ce magnéto-scope, vous pouvez copier le code temporel sur la cassette source tel quel. Vous pouvez aisément réaliser une cassette de travail possédant les mêmes codes temporels que la cassette source. La fonction de duplication de ce magnéto-scope ne fonctionne que lorsqu'une cassette source est enregistrée dans le format DVCAM et si les connexions DV sont effectuées.

- 1** Raccordez ce magnéto-scope et l'autre magnéto-scope (lecteur) à l'aide d'un câble i.LINK (câble de connexion DV) (non fourni) et sélectionnez DV à l'aide du sélecteur INPUT SELECT de ce magnéto-scope.
- 2** Localisez les endroits où vous désirez commencer la lecture et l'enregistrement.
- 3** Appuyez sur STOP de ce magnéto-scope pour arrêter l'opération de transport de la cassette.
- 4** Maintenez DUP de ce magnéto-scope enfoncée et appuyez ensuite sur PLAY.

L'indicateur DUP clignote et ce magnéto-scope passe en mode de veille de duplication.

### Remarques

- Si l'autre magnéto-scope (lecteur) a déjà entamé la lecture, l'indicateur DUP s'allume et la duplication commence immédiatement.
- Si l'autre magnéto-scope (lecteur) est en mode de pause de lecture, la duplication commence immédiatement et ce magnéto-scope continue à enregistrer une image fixe et un certain code temporel.

- 5** Appuyez sur la touche de lecture de l'autre magnéto-scope pour démarrer la lecture.

L'indicateur DUP de ce magnéto-scope s'allume et la duplication commence.

### Pour régler le point de départ de la duplication

A l'étape **4** ci-dessus, maintenez la touche DUP enfoncée au lieu de la touche PLAY et appuyez sur la touche PAUSE. Ce magnéto-scope reste en mode de veille d'enregistrement jusqu'à ce que vous appuyiez de nouveau sur la touche PAUSE.

Dès que l'autre magnéto-scope a commencé la lecture, appuyez sur la touche PAUSE à l'endroit où vous désirez que la duplication commence.

### Pour arrêter la duplication

Appuyez sur la touche STOP.

**Remarques**

- En cours de duplication, ne changez pas la vitesse de défilement de la bande magnétique du lecteur et ne l'activez pas en mode de pause. La raison en est que le code temporel de la cassette enregistrée est alors déphasé et que vous ne pouvez donc pas l'utiliser en vue du montage.
- En cours de duplication, le compteur de bande n'apparaît pas. Regardez-le sur l'autre magnétoscope (lecteur).
- Lorsque vous démarrez la duplication, la première partie de la cassette source peut être coupée sur la cassette copiée. Démarrez la lecture de la cassette source à partir du point précédent. Vous ne pouvez pas copier complètement la cassette si la cassette source a été enregistrée depuis son point de début.
- Il est possible que vous ne puissiez pas copier la première partie ou une portion non enregistrée de la cassette source. Localisez la portion enregistrée sur la cassette source, ensuite lancez la copie.
- L'enregistrement ne s'arrête pas au moment où vous appuyez sur la touche STOP pour arrêter le montage. Il se peut que l'image source soit enregistrée un petit peu plus longtemps que vous le souhaitez.
- Si vous dupliquez une cassette à l'aide des deux DSR-40/40P, mettez DV EE OUT dans le menu du lecteur sur OFF (*voir page 52*).
- Les signaux d'index ne sont pas enregistrés lorsque la duplication commence.
- Si vous mettez le commutateur REMOTE/LOCAL sur REMOTE en cours de copie, la cassette s'arrête.

Si vous utilisez l'appareil dans un système de montage, les fonctions suivantes sont limitées.

## Remarques générales

- Les signaux composante sont uniquement sortis en cours de lecture ou si vous avez sélectionné l'entrée DV. Cet appareil ne peut être employé comme convertisseur d'une entrée analogique en sortie composante.
- Cet appareil n'est pas équipé de la fonction de niveau de synchronisation. Ajustez la synchronisation du montage avec le contrôleur de montage et réglez le niveau de synchronisation sur Preroll & Play.
- Le mode de pause est désactivé au terme de la durée choisie dans le menu afin de protéger la cassette sauf lors de l'utilisation de cet appareil avec le système de montage.
- Si le commutateur TIMER est réglé sur REPEAT et lorsque la cassette arriver en fin de bande après une avance rapide, la commande au moyen du disque jog d'un appareil externe raccordé au connecteur REMOTE n'est pas disponible.
- Vous ne pouvez pas changer la sélection du signal d'entrée en cours de lecture ou en mode de pause de lecture.
- Si l'entrée vidéo ou S-vidéo est sélectionnée et si aucun signal n'est entré en mode de recherche, l'écran de recherche devient instable.
- Lorsque la cassette est amenée au début ou à la fin de la bande avec la touche REW ou F FWD, l'appareil entre en mode de pause à la lecture à un endroit situé à quelques secondes du début ou de la fin.

## Remarques sur le raccordement

- Si vous utilisez cet appareil comme enregistreur dans un système avec le FXE-120 dont la version est 1.0, cet appareil ne peut être utilisé dans le système de compensation du temps réel. Si vous voulez l'utiliser dans le système de compensation du temps réel, actualisez le FXE-120 à la version 1.01 (DSR-40 uniquement).
- Lorsque vous entrez un signal composite ou S-vidéo, un signal de sortie composite ou S-vidéo en mode EE est un signal passant de l'entrée.
- Lorsque vous entrez un signal composite ou S-vidéo, le signal composante en mode EE n'est pas sorti. La sortie composante est uniquement disponible en cours de lecture ou lors de la sélection de l'entrée DV.
- Si l'appareil est mis hors tension alors que AUTO OFF a été réglé sur OFF, les opérations ne peuvent être exécutées avec l'appareil raccordé au connecteur REMOTE. Remettez-le sous tension et recommencez l'opération.
- Lorsque vous entrez un signal DV et que vous sortez un signal composite ou S-vidéo en mode EE, seul le signal de synchronisation des couleurs est échangé.
- Lorsque vous entrez un signal DV, l'appareil n'exécute pas de lecture synchronisée avec le signal de synchronisation externe. Cette lecture est uniquement disponible lorsque vous sélectionnez l'entrée vidéo ou S-vidéo.



**Remarques sur le montage**

- Avec une connexion DV, la précision de montage est inférieure à la précision d'un montage analogique.
- Cet appareil n'est pas équipé de la première fonction de montage.
- Comme cet appareil ne supporte pas CTL, le code temporel de la cassette enregistrée devient hors séquence et vous ne pouvez pas l'utiliser pour le montage. Dans ce cas, ajustez le point de montage IN.

**Réglages sur un contrôleur de montage**

Effectuez les réglages suivants, selon le modèle, au raccordement d'un contrôleur de montage.

**FXE-100/120**

Réglez les constantes du magnétoscope comme suit:

| 1  | 2  | 3  | 4  | 5  | 6  | 7  | 8  | 9  | 10 | 11 | 12 | 13 | 14 | 15 |
|----|----|----|----|----|----|----|----|----|----|----|----|----|----|----|
| 80 | 30 | 00 | 96 | 05 | 05 | 0A | 8A | 0A | 08 | FE | 00 | 80 | 5A | FF |

**FXE-100P/120P**

Réglez les constantes du magnétoscope comme suit:

| 1  | 2  | 3  | 4  | 5  | 6  | 7  | 8  | 9  | 10 | 11 | 12 | 13 | 14 | 15 |
|----|----|----|----|----|----|----|----|----|----|----|----|----|----|----|
| 81 | 30 | 00 | 7D | 05 | 05 | 0A | 8A | 0A | 08 | FE | 00 | 80 | 5A | FF |

**BVE-600 (modèle pour NTSC)**

Réglez les constantes du magnétoscope comme suit:

| 1  | 2  | 3  | 4  | 5  | 6  | 7  | 8  | 9  | 10 | 11 | 12 | 13 | 14 | 15 |
|----|----|----|----|----|----|----|----|----|----|----|----|----|----|----|
| 80 | 30 | 00 | 96 | 05 | 05 | 0A | 8A | 0A | 09 | FE | 00 | 80 | 5A | FF |

**BVE-600 (modèle pour PAL)**

Réglez les constantes du magnétoscope comme suit:

| 1  | 2  | 3  | 4  | 5  | 6  | 7  | 8  | 9  | 10 | 11 | 12 | 13 | 14 | 15 |
|----|----|----|----|----|----|----|----|----|----|----|----|----|----|----|
| 81 | 30 | 00 | 7D | 05 | 05 | 0A | 8A | 0A | 09 | FE | 00 | 80 | 5A | FF |

**RM-450/450CE**

Réglez les sélecteurs DIP comme suit.

Sélecteurs de gauche

| 7   | 6 | 5 | 4   | 3 | 2 | 1 | 0 |
|-----|---|---|-----|---|---|---|---|
| OFF | – | – | OFF | – | – | – | – |

Sélecteurs de droite (RM-450)

| 7   | 6 | 5   | 4  | 3   | 2   | 1  | 0  |
|-----|---|-----|----|-----|-----|----|----|
| OFF | – | OFF | ON | OFF | OFF | ON | ON |

Sélecteurs de droite (RM-450CE)

| 7  | 6 | 5   | 4  | 3   | 2   | 1  | 0  |
|----|---|-----|----|-----|-----|----|----|
| ON | – | OFF | ON | OFF | OFF | ON | ON |

Si la synchronisation du montage est dérégulée, changez le réglage du commutateur de droite de 0 sur 2.

# Raccordements pour un système de montage non-linéaire numérique

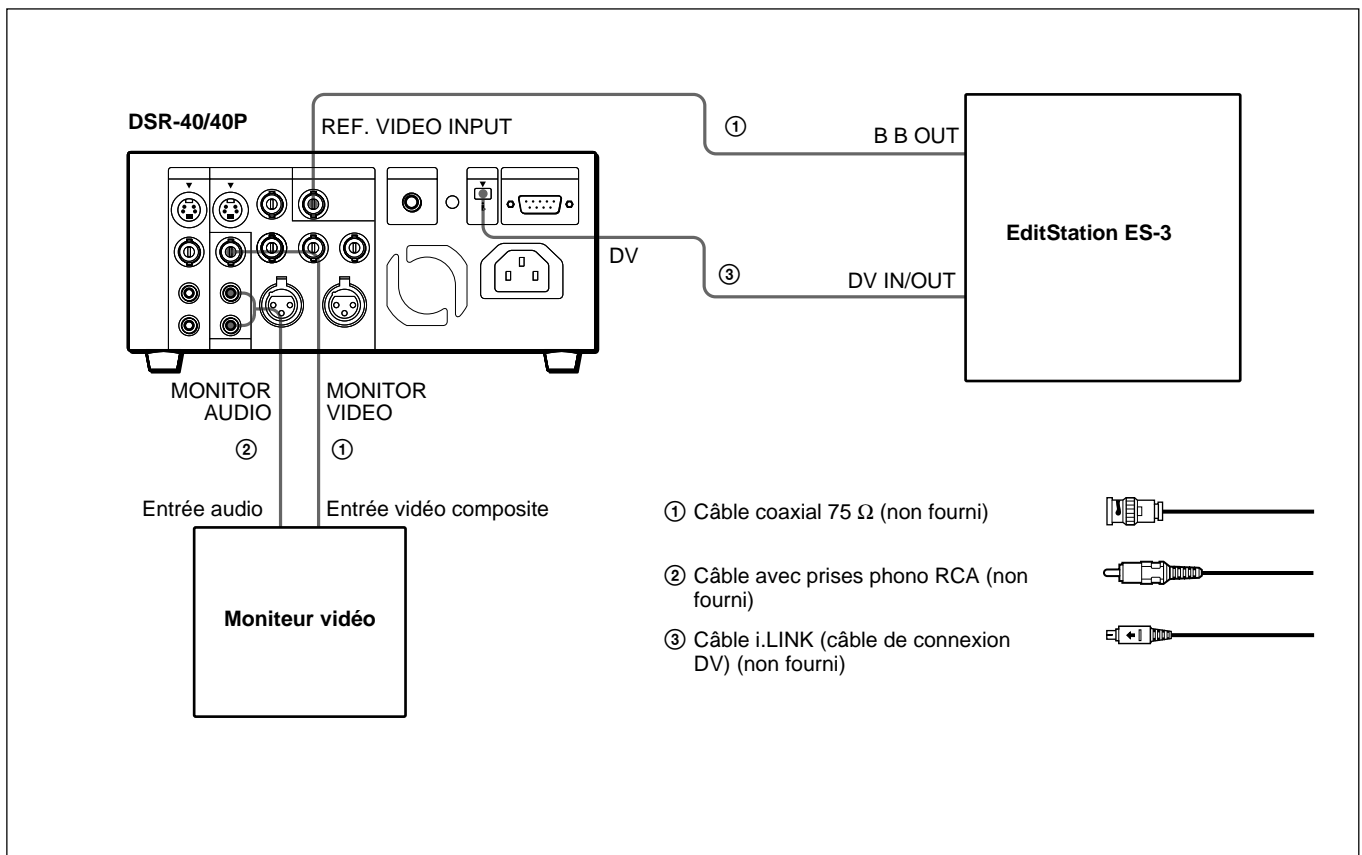
Cet appareil peut être raccordé à une EditStation ES-3 pour configurer un système de montage non-linéaire numérique.

Vous pouvez transférer des signaux vidéo, audio, des codes temporels et d'autres données compressées de cet appareil vers l'ES-3.

L'appareil peut transférer instantanément à l'ES-3 des images d'index enregistrées sur cassette et des données de journal ClipLink enregistrées dans la mémoire de la cassette.

L'illustration suivante donne le schéma de raccordement d'un système de montage non-linéaire où cet appareil sert de lecteur.

*Pour le raccordement de l'ES-3 et de ses périphériques, reportez-vous au mode d'emploi de l'ES-3.*



## Réglages sur le DSR-40/40P

| Commutateur  | Réglage |
|--------------|---------|
| REMOTE/LOCAL | LOCAL   |

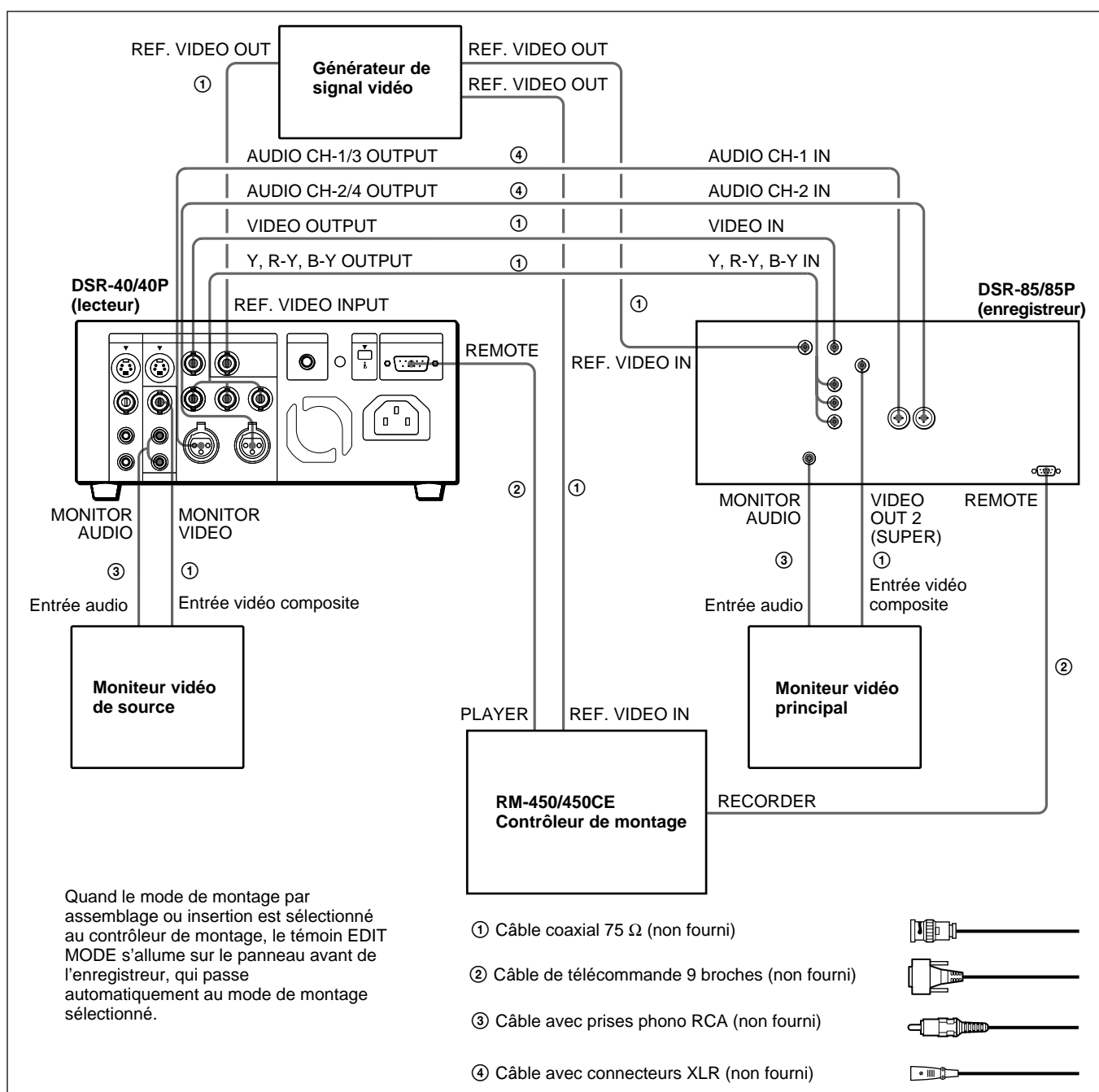
# Raccordements pour un système de montage de coupures

L'illustration suivante indique la configuration d'un système de montage de coupures utilisant cet appareil comme lecteur et un DSR-85/85P comme enregistreur.

Voir le mode d'emploi de chaque dispositif pour les détails sur le raccordement des appareils autres que le DSR-40/40P.

## Remarques

- Lorsque l'entrée S-vidéo ou composite est sélectionnée, la sortie S-vidéo ou composite est un signal passant.
- La durée de rembobinage de l'amorce réglée sur la RM-450/450CE doit être de plus de cinq secondes.
- Réglez RS-422 CUE-UP MODE sur WITH VIDEO dans le menu SET UP du DSR-40/40P de façon à améliorer la précision du montage.



Quand le mode de montage par assemblage ou insertion est sélectionné au contrôleur de montage, le témoin EDIT MODE s'allume sur le panneau avant de l'enregistreur, qui passe automatiquement au mode de montage sélectionné.

# Raccordements pour un système de montage de coupures

---

## Réglages du contrôleur de montage

Pour plus de détails sur les réglages du contrôleur de montage, reportez-vous à la section “Réglage de la précision du montage” à la page 40.

### Réglages sur le DSR-40/40P (lecteur) et DSR-85/85P (enregistreur)

| Commutateur  | enregistreur | lecteur |
|--------------|--------------|---------|
| REMOTE/LOCAL | REMOTE       | REMOTE  |

*Pour plus de détails, reportez-vous au mode d'emploi du DSR-85/85P.*

---

## A propos des signaux vidéo de référence

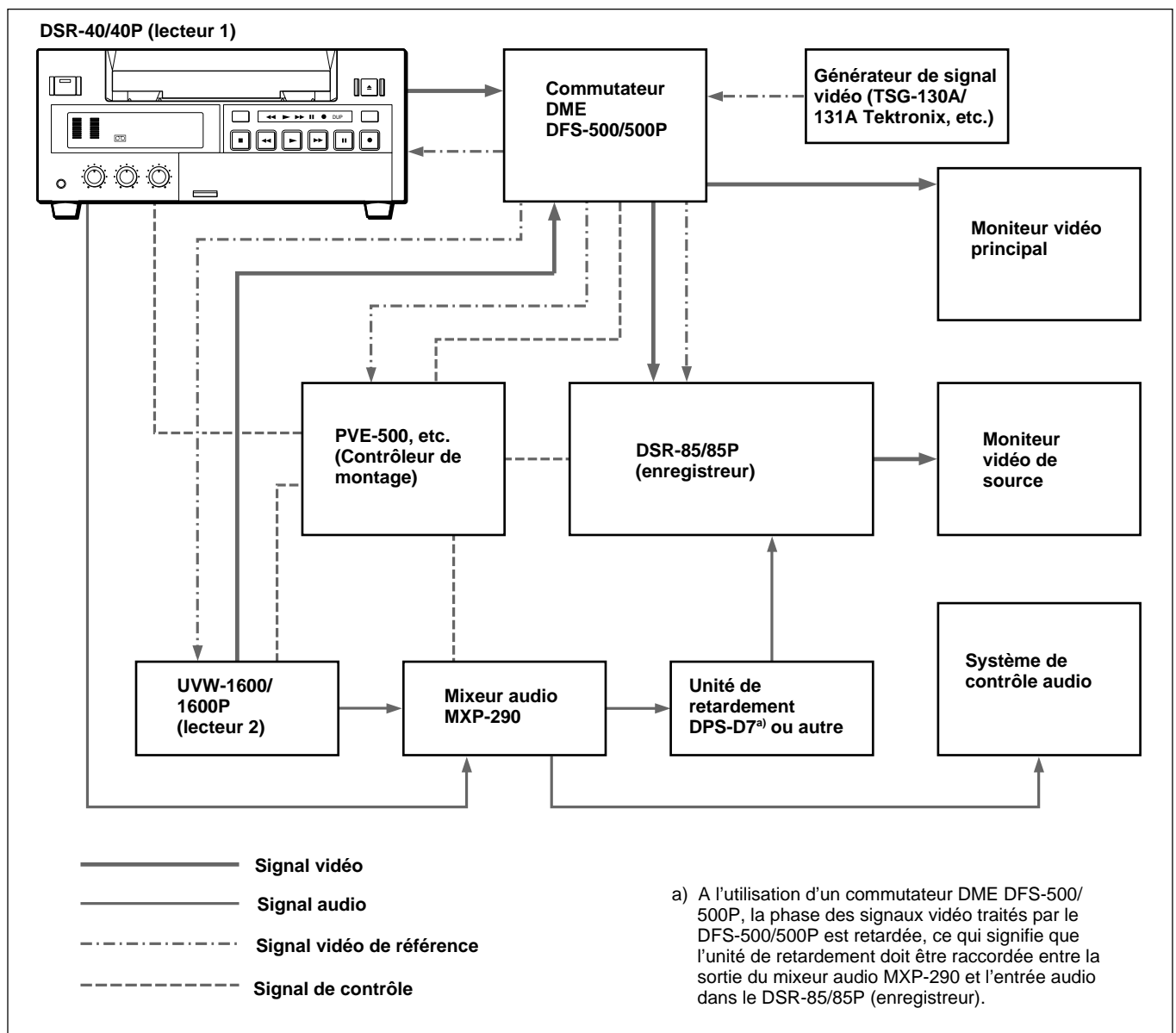
Pour fournir des signaux vidéo et audio stables pour le montage analogique, le correcteur de base de temps (TBC) intégré doit bien fonctionner. Pour cela, entrer un signal vidéo de référence synchronisé au signal vidéo dans le connecteur REF. VIDEO INPUT (IN).

# Raccordements pour un système de montage à roulement A/B

Voici un exemple de configuration de système de montage à roulement A/B utilisant le DSR-40/40P et le DSR-85/85P.

Dans cette configuration, le DSR-40/40P est utilisé comme lecteur 1, le UVW-1600/1600P (un magnéscope lecteur analogique Betacam) comme lecteur 2 et le DSR-85/85P comme enregistreur. Pour créer une bande finale (une bande contenant un programme complet) en format Betacam, un magnéscope Betacam, tel que UVW-1800/1800P est utilisable comme enregistreur.

L'illustration suivante indique clairement le flux des signaux entre les périphériques composant ce système. Les raccordements spécifiques et les réglages du DSR-85/85P (enregistreur) pour ce système sont décrits à la page suivante.



## Remarque

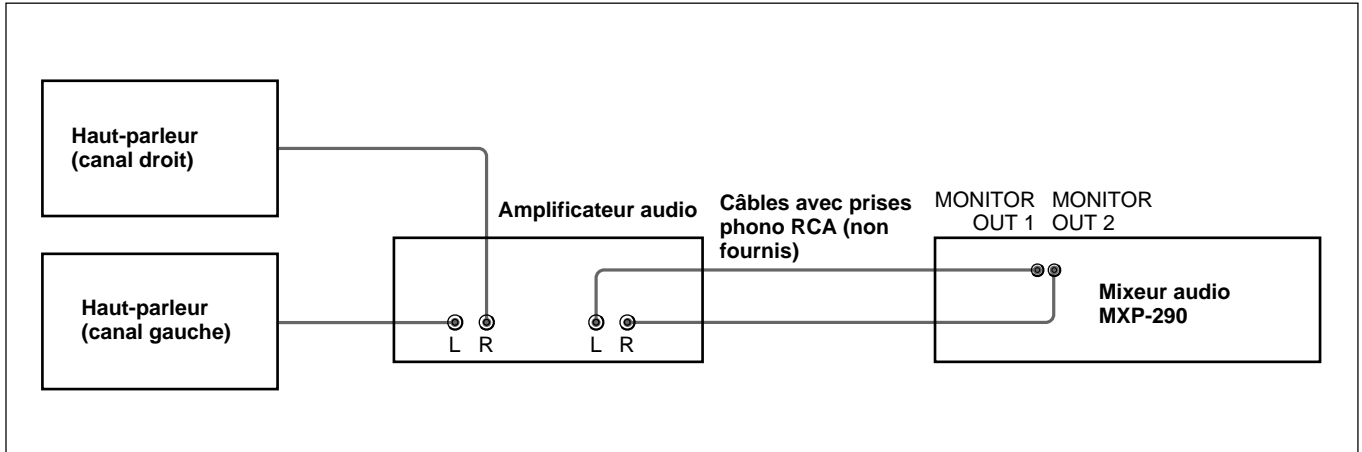
Utilisez l'enregistreur équipé de la fonction de synchronisation.

# Raccordements pour un système de montage à roulement A/B

## Raccordements du système de contrôle audio

Voici un exemple de raccordements de système de contrôle audio.

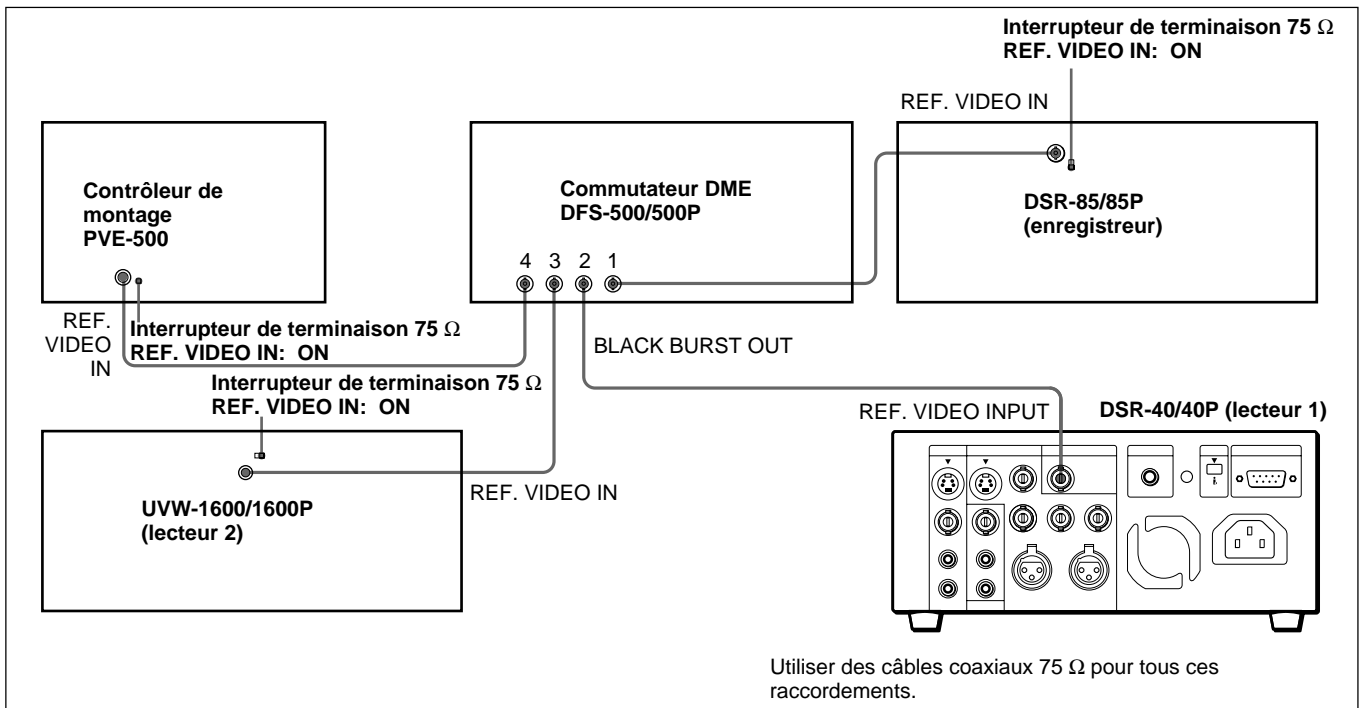
*Se reporter au mode d'emploi de chaque appareil raccordé pour les détails des raccordements.*



## Raccordement du signal vidéo de référence

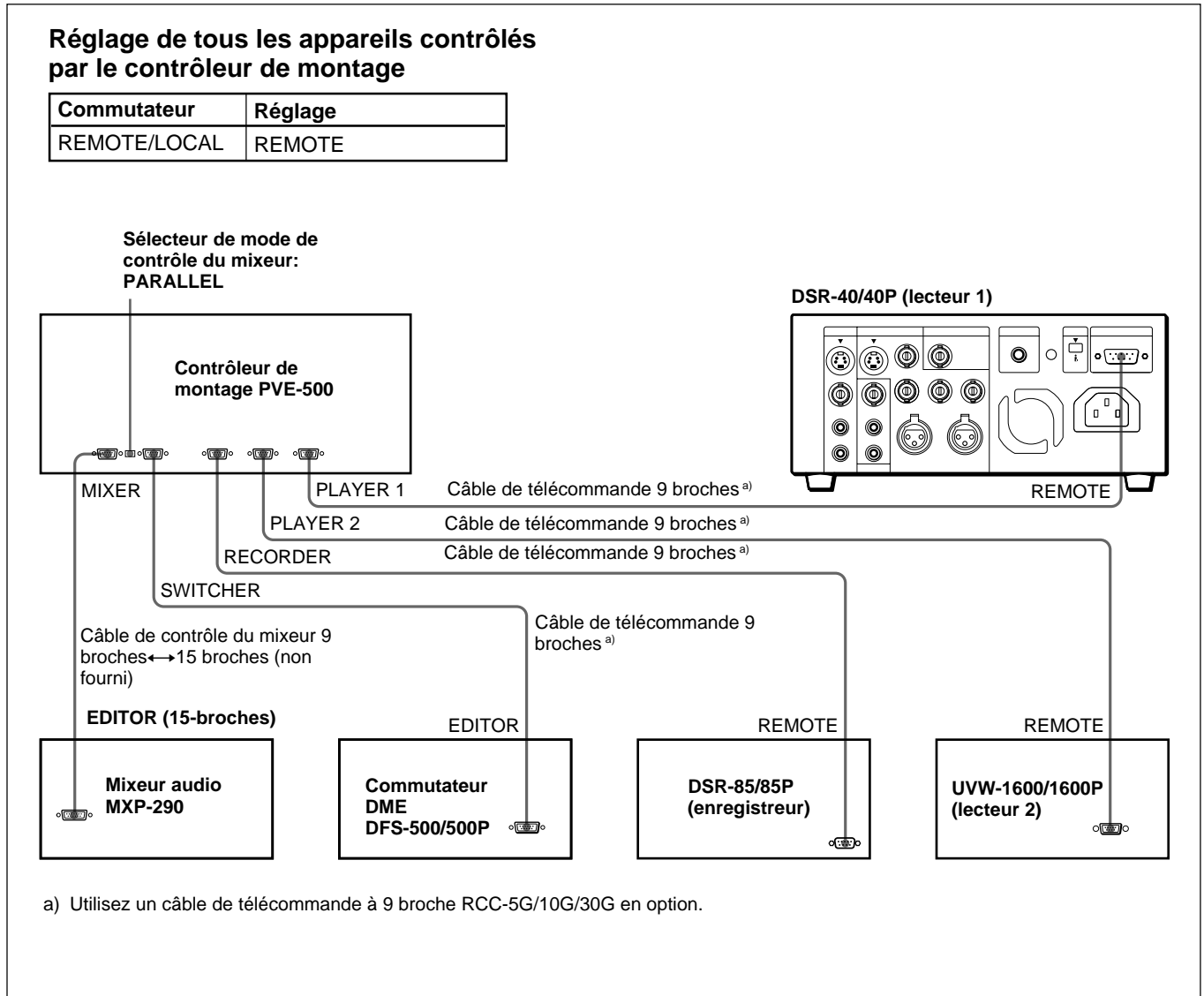
Toujours utiliser un signal vidéo de référence pour l'enregistrement ou le montage.

*Pour plus de détails sur les signaux vidéo de référence, voir "A propos des signaux vidéo de référence" à la page 34.*



## Raccordements du signal de contrôle

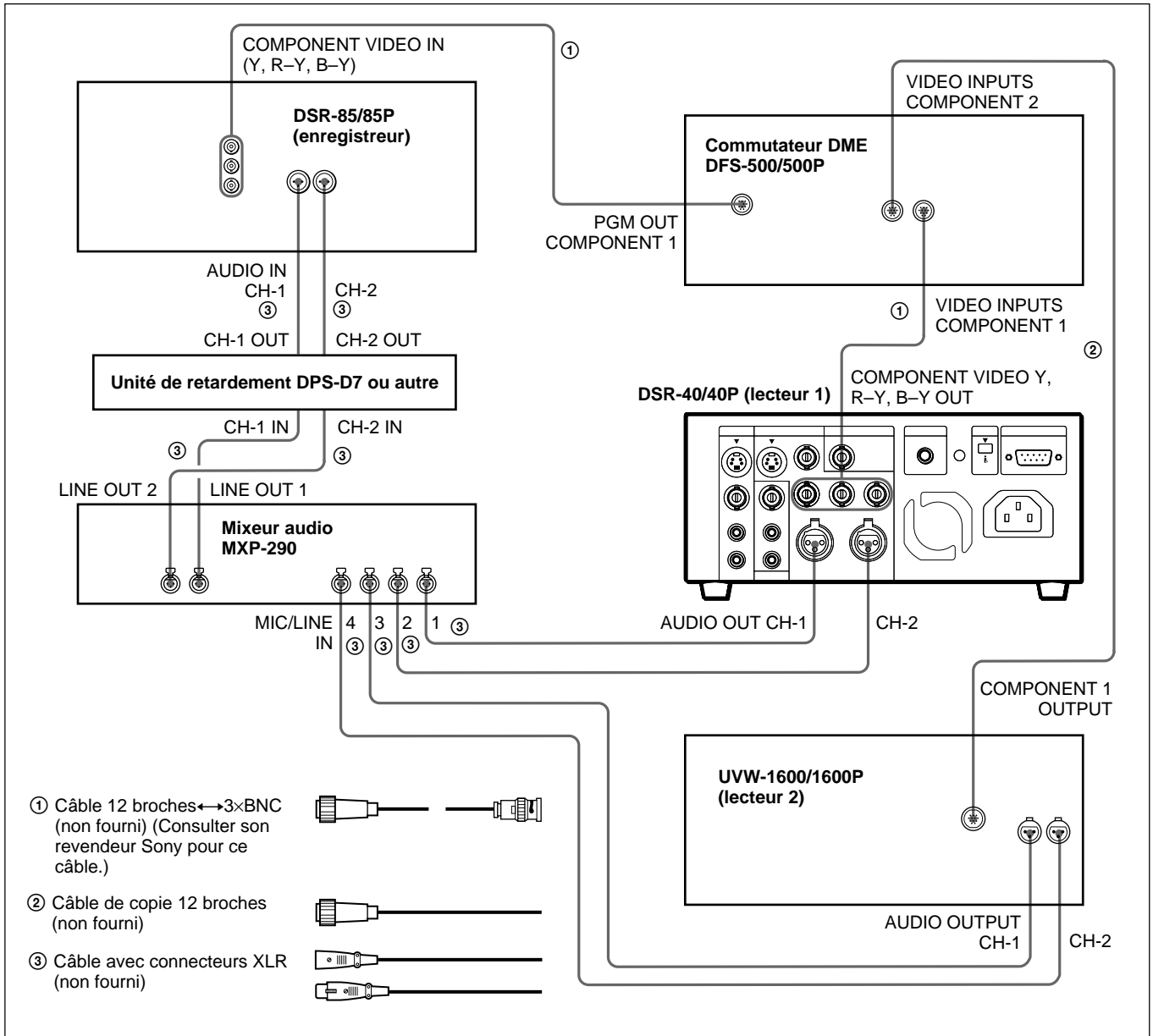
Voici un exemple de raccordements de signal de contrôle pour permettre au contrôleur de montage de contrôler tous les autres appareils du système de montage à enroulement A/B.



# Raccordements pour un système de montage à roulement A/B

## Raccordements des signaux vidéo/audio

Voici un exemple de raccordements de signaux vidéo/audio dans un système de montage à roulement A/B. Dans cet exemple, des signaux analogiques à composantes sont utilisés comme signaux vidéo et les connecteurs XLR 3 broches servent de connecteurs d'entrée/sortie audio.



Réglages sur le DSR-85/85P (enregistreur)

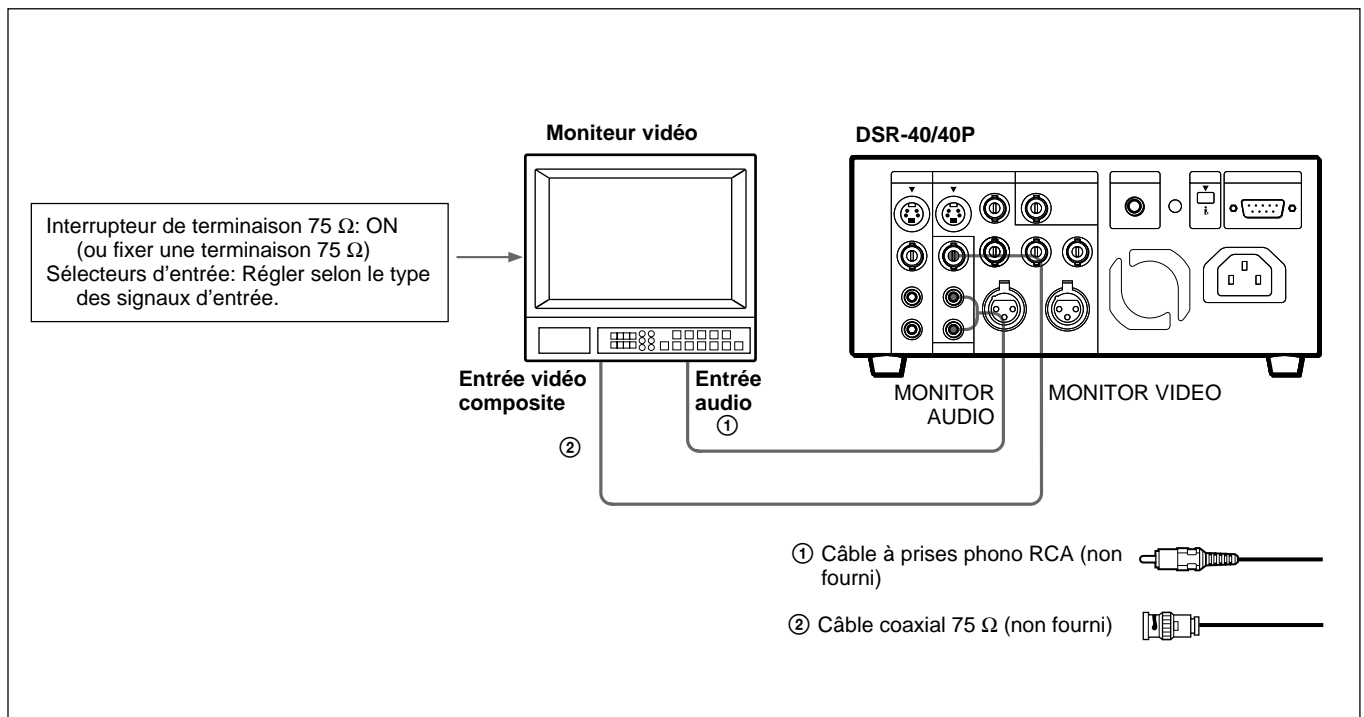
| Commutateur                  | Réglage            |
|------------------------------|--------------------|
| AUDIO IN 600 Ω ON/OFF        | ON                 |
| AUDIO IN -6 dBu/0 dBu/+4 dBu | Normalement +4 dBu |

Voir les modes d'emploi des appareils utilisés pour les détails sur les réglages d'entrée vidéo/audio et de mode audio.



## Raccordements d'un moniteur vidéo

Effectuer les raccordements suivants sur un moniteur vidéo pour permettre le contrôle des signaux vidéo et audio. Outre les signaux vidéo, il est possible d'afficher sous forme de texte sur l'écran du moniteur les données de temps, le mode d'exploitation du DSR-40/40P, les messages d'alerte et d'autres informations.



### Remarque

Pour pouvoir contrôler la cassette montée, utilisez le connecteur de sortie de moniteur d'un magnétoscope enregistreur.

# Réglage de la précision du montage

## Utilisation de cet appareil comme lecteur avec la RM-450/450CE

- 1** Réglez le sélecteur SYNCHRO sur ON.
- 2** Réglez le numéro 3 du commutateur droit SYSTEM PRESET sur OFF (il est réglé sur OFF par défaut).

La vitesse de l'enregistreur est contrôlée lors du réglage du de la synchronisation.

- 3** Exécutez la fonction LEARN.

## Utilisation de cet appareil comme lecteur 1 avec le PVE-500

Lorsque vous utilisez cet appareil comme lecteur 2, le paramètre de menu est indiqué entre parenthèses.

- 1** Réglez Sync Edit sous SEtUP-10 sur OFF dans le menu SETUP.
- 2** Réglez P1 dELAY (P2 dELAY) sous SEtUP-13 (SEtUP-14) sur LEArn dans le menu SETUP.
- 3** Réglez rEC Sync sous SEtUP-15 sur On dans le menu SETUP.
- 4** Réglez P1 Sync (P2 Sync) sous SEtUP-16 (SEtUP-17) sur OFF dans le menu SETUP.
- 5** Exécutez la fonction LEARN.

## Utilisation de cet appareil comme lecteur 1 avec le FXE-120/120P

- Lorsque vous utilisez cet appareil comme lecteur 2, le paramètre de menu est indiqué entre parenthèses.
- Lorsque vous utilisez le FXE-100/100P mis à jour avec le FXE-KIT1, paramètre de menu est indiqué entre [ ].

- 1** Affichez le paramètre 104 [301] SYNC GRADE dans le menu SETUP et réglez PLAYER1 (PLAYER2) sur PREROLL & PLAY.
- 2** Affichez le paramètre 301 (302) [401 comme lecteur 1, 402 comme lecteur 2] DEVICE TYPE PLAYER1 (DEVICE TYPE PLAYER2) dans le menu SETUP et réglez les constantes du magnétoscope.
- 3** Exécutez la fonction LEARN.

Si la précision du montage est dérégulée, exécutez la procédure de “Réglage du point IN” à la page suivante.

## Réglage du point IN

Si le point monté actuel ne coïncide pas exactement avec le point de montage prédéfini, procédez au réglage précis de la précision de montage via le menu SETUP du contrôleur de montage. Cela améliore la précision du montage.

- 1** Affichez le paramètre 301 (302) [401 comme lecteur 1, 402 comme lecteur 2] DEVICE TYPE PLAYER1 (DEVICE TYPE PLAYER2) dans le menu SETUP et commutez le réglage de DISABLE à ENABLE.
- 2** Répétez le montage plusieurs fois de suite et vérifiez le décalage du point de montage; pour cela, comptez le nombre d'images à ajuster.

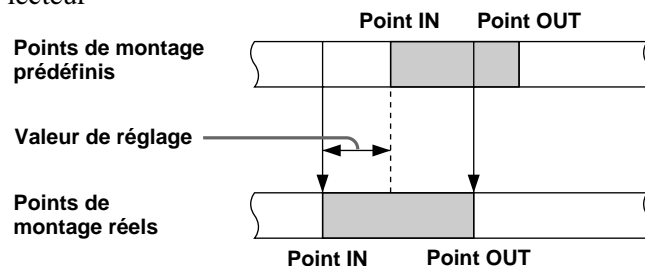
### Remarque

Le résultat du montage peut différer suivant le réglage DISABLE ou ENABLE du paramètre 301 (302) du menu SETUP [401 comme lecteur 1, 402 comme lecteur 2]. N'oubliez pas de vérifier la précision du montage après avoir commuté ENABLE.

- 3** Commutez le paramètre 301 (302) du menu SETUP [401 comme lecteur 1, 402 comme lecteur 2] de BYTE 01 à BYTE 10 et calculez la valeur de réglage.

### Comment calculer la valeur de réglage

Si le point IN réel est décalé en avant du point IN prédéfini sur le lecteur



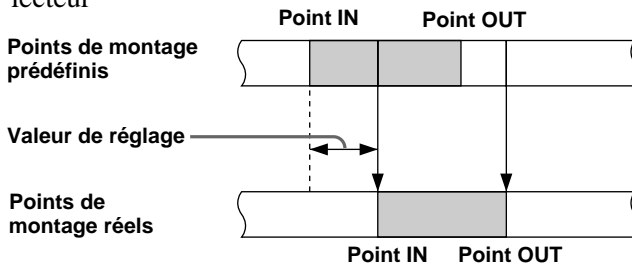
08 (réglage par défaut) + nombre d'images obtenu à l'étape 2

Exemple: Pour ajuster 5 images

$$08 + 05 = 0D$$

La valeur de réglage est calculée en hexadécimal.

Si le point IN réel est décalé en arrière du point IN prédéfini sur le lecteur



08 (réglage par défaut) – nombre d'images obtenu à l'étape 2

Exemple: Pour ajuster 5 images

$$08 - 05 = 03$$

(à suivre)

## Réglage de la précision du montage

- 4 Procédez à un montage d'essai et contrôlez le résultat du montage.

Répétez les étapes 3 et 4 jusqu'à obtention du meilleur résultat possible.

---

### Utilisation de cet appareil comme enregistreur avec le FXE-120/120P

- Si vous utilisez cet appareil comme enregistreur, consultez également le chapitre 4 "Utilisation de l'appareil comme enregistreur dans un système de montage."
- Si vous utilisez le FXE-100/100P mis à jour avec le FXE-KIT1, le paramètre de menu est indiqué entre [ ].

- 1 Affichez le paramètre 102 [112] REMOTE INTERFACE dans le menu SETUP et réglez RECORDER sur OTHERS.
- 2 Affichez le paramètre 104 [301] SYNC GRADE dans le menu SETUP et réglez RECORDER sur PREROLL & PLAY.
- 3 Affichez le paramètre 303 [403] DEVICE TYPE RECORDER dans le menu SETUP et réglez les constantes du magnétoscope.
- 4 Exécutez la fonction LEARN.

Si la précision du montage est dérégulée, exécutez la procédure de "Réglage du point IN" ci-dessous.

#### Réglage du point IN

Si le point monté actuel ne coïncide pas exactement avec le point de montage prédéfini, procédez au réglage précis de la précision de montage via le menu SETUP du contrôleur de montage. Cela améliore la précision du montage.

- 1 Affichez le paramètre 303 [403] DEVICE TYPE RECORDER dans le menu SETUP et commutez-le de DISABLE à ENABLE.
- 2 Répétez le montage plusieurs fois de suite et vérifiez le décalage du point de montage; pour cela, comptez le nombre d'images à ajuster.

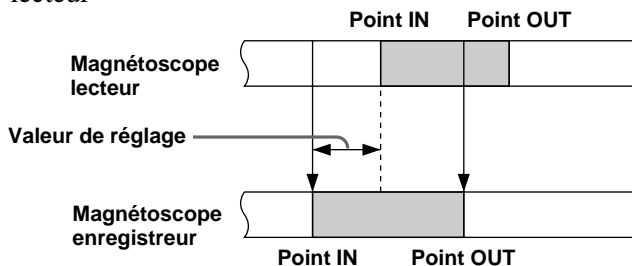
#### Remarque

Le résultat du montage peut différer suivant le réglage DISABLE ou ENABLE du paramètre 303 [403] du menu SETUP. N'oubliez pas de vérifier la précision du montage après avoir commuté ENABLE.

- 3 Commutez le paramètre 303 [403] du menu SETUP de BYTE 01 à BYTE 10, et calculez la valeur de réglage.

### Comment calculer la valeur de réglage

Si le point IN réel est décalé en avant du point IN prédéfini sur le lecteur

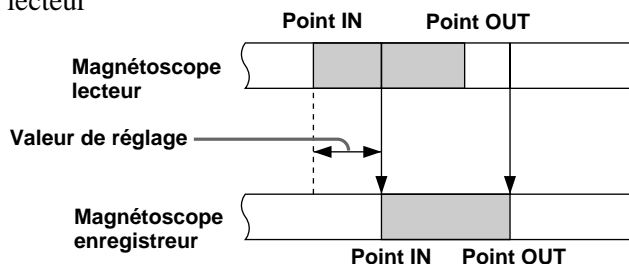


08 (réglage par défaut) – nombre d’images obtenu à l’étape 2

Exemple: Pour ajuster 5 images

$$08 - 05 = 03$$

Si le point IN réel est décalé en arrière du point IN prédéfini sur le lecteur



08 (réglage par défaut) + nombre d’images obtenu à l’étape 2

Exemple: Pour ajuster 5 images

$$08 + 05 = 0D$$

La valeur de réglage est calculée en hexadécimal.

**4** Procédez à un montage d’essai et contrôlez le résultat du montage.

Répétez les étapes **3** et **4** jusqu’à obtention du meilleur résultat possible.

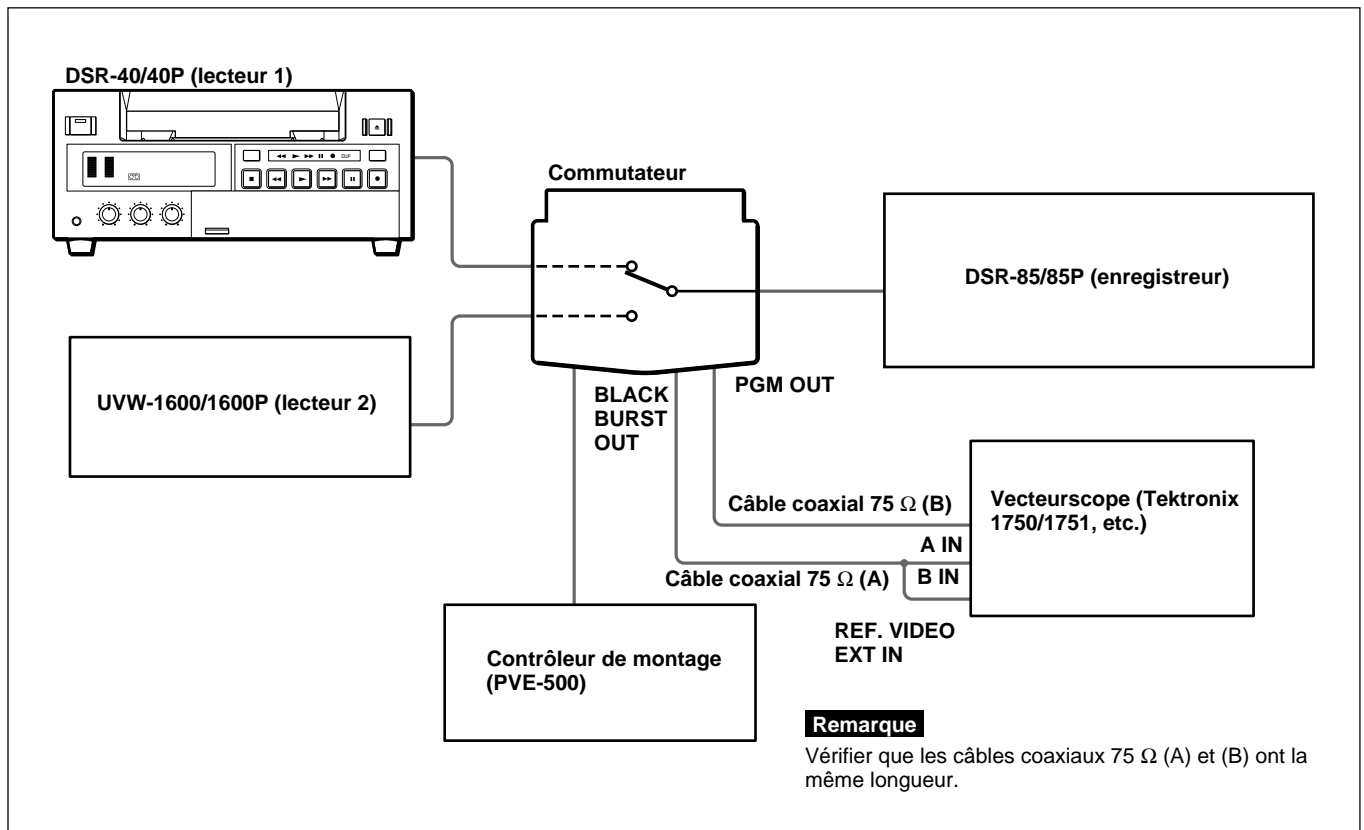
### Utilisation de cet appareil comme lecteur avec le BVE-600

- 1** Réglez le niveau de synchronisation (menu 2) sur le numéro de mode 4, PREROLL & PLAY en mode auxiliaire.
- 2** Réglez les constantes du magnéscope dans le mode de réglage.

# Ajustement des phases de synchro et de sous-porteuse

Quand deux lecteurs ou plus sont utilisés, comme dans un système de montage à roulement A/B, la synchronisation de phase des signaux (à savoir la synchro de système) est nécessaire. Pour les signaux composites, la phase de sous-porteuse doit aussi être synchronisée. Sinon, des instabilités d'image ou des ruptures de couleur surviendront aux seuils de montage.

Après la configuration du système de montage, utiliser un vecteurscope pour ajuster la phase de synchro et la phase de sous-porteuse de l'enregistreur et des lecteurs. Le réglage de la phase de sous-porteuse est nécessaire seulement quand des signaux composites ou Y/C sont utilisés.



## Remarque

La phase de synchro et la phase de sous-porteuse du signal de sortie du commutateur DFS-500/DFS-500P sont ajustées automatiquement.



## Exécution d'un ajustement de phase

- 1** Appuyer sur la touche SCH du vecteurscope.

Le vecteurscope passe au mode "SCH."

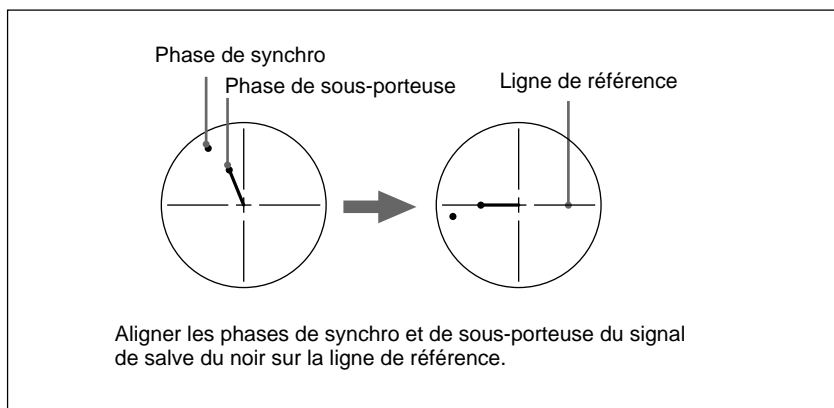
- 2** Appuyer sur la touche de canal B du vecteurscope.

Le signal de salve du noir du commutateur est affiché.

- 3** Appuyer sur la touche EXT du vecteurscope.

Le vecteurscope passe en mode de synchronisation externe.

- 4** Ajuster la commande de synchronisation de phase du vecteurscope de sorte que les phases de synchro et de sous-porteuse soient proches de la ligne de référence.



- 5** Sortez le signal du lecteur 1 via le commutateur à l'aide du PVE-500.

- 6** Appuyer sur la touche de canal A du vecteurscope.

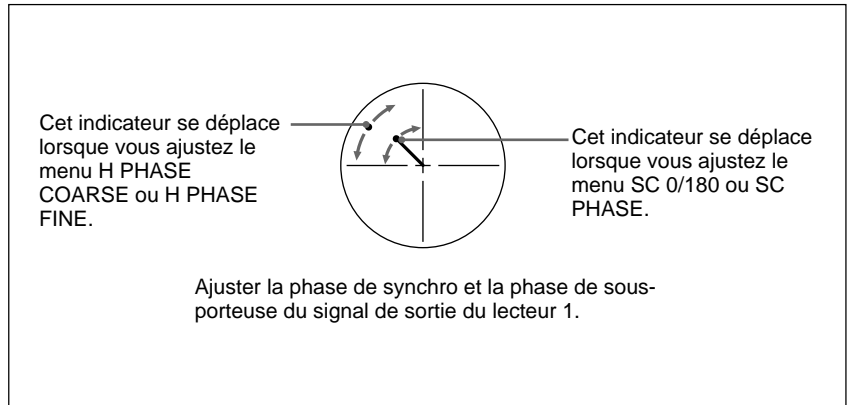
La phase de synchro et la phase de sous-porteuse (signaux composites seulement) du signal du lecteur 1 sont affichées.

- 7** Sur le lecteur 1, ajustez la commande SYNC à l'aide du menu H PHASE COARSE pour un réglage approximatif et du menu H PHASE FINE pour un réglage précis, de façon à ce que la phase du signal de sortie du lecteur 1 sur le canal (A) soit correctement alignée sur le signal de synchronisation du noir du canal (B) (voir page 53).

(à suivre)

## Ajustement des phases de synchro et de sous-porteuse

- 8** Sur le lecteur 1, ajustez la commande SC à l'aide du menu SC 0/180 pour un réglage approximatif et du menu SC PHASE pour un réglage précis, de façon à ce que la phase du signal de sortie du lecteur 1 sur le canal (A) soit correctement alignée sur le signal de synchronisation du noir du canal (B) (voir page 53).



### Remarque

Quand des signaux à composantes sont utilisés, l'indicateur de phase de sous-porteuse n'apparaît pas.

- 9** Sortez le signal du lecteur 2 via le commutateur à l'aide du PVE-500 et répétez les étapes **7** et **8** pour ajuster la phase de synchro et de sous-porteuse du signal de sortie du lecteur 2.

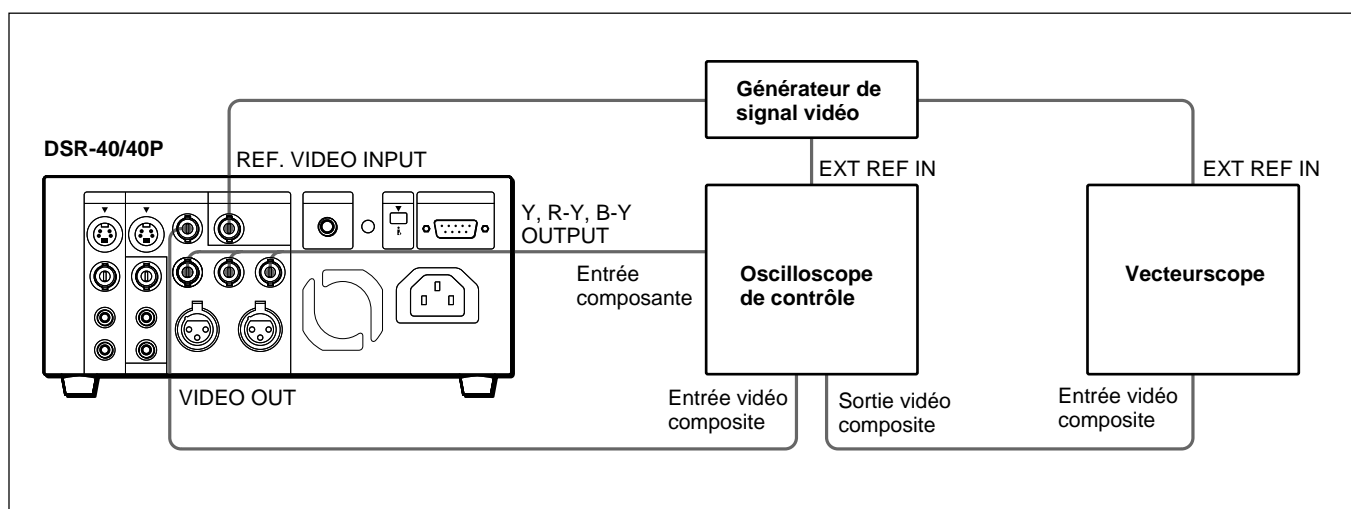


# Réglage des signaux

Vous pouvez ajuster le niveau de chaque signal de sortie composante et le niveau de gain du signal de chrominance du signal composite. Connectez le signal (synchronisation du noir) vidéo de référence univoque à un appareil qui génère le signal vidéo de référence, ou réalisez une connexion en boucle passante. Si l'appareil est doté d'un commutateur terminal, terminez correctement la connexion. Pour le réglage, vous avez besoin d'un oscilloscope de contrôle et d'un vecteurscope.

## Remarque

Si vous ajustez le niveau du signal composante, veillez à ajuster le niveau de gain des signaux de chrominance des signaux composites.



## Réglage du niveau du signal composante

- 1** Démarrez la lecture sur le DSR-40/40P et sortez les signaux via les connecteurs Y, R-Y, et B-Y des connecteurs OUTPUT.  
L'image est affichée sur l'oscilloscope de contrôle.
- 2** Ajustez le niveau du signal Y dans le menu PB COMPONENT Y LEVEL (voir page 53).
- 3** Ajustez le niveau du signal R-Y dans le menu PB COMPONENT R-Y LEVEL (voir page 53).
- 4** Ajustez le niveau du signal B-Y dans le menu PB COMPONENT B-Y LEVEL (voir page 53).

## Réglage du niveau de gain du signal de chrominance du signal composite

- 1** Démarrez la lecture sur le DSR-40/40P et sortez les signaux via le connecteur VIDEO du connecteur OUTPUT.  
  
L'image est affichée sur le vecteurscope.
- 2** Ajustez le niveau de gain du signal R-Y dans le menu COMPOSITE R-Y GAIN (*voir page 53*).
- 3** Ajustez le niveau de gain du signal B-Y dans le menu COMPOSITE B-Y GAIN (*voir page 53*).

Cet appareil peut être utilisé comme enregistreur avec le FXE-100/100P/120/120P. La précision de montage ne correspond toutefois pas à la norme RS-422A dans un système de montage.

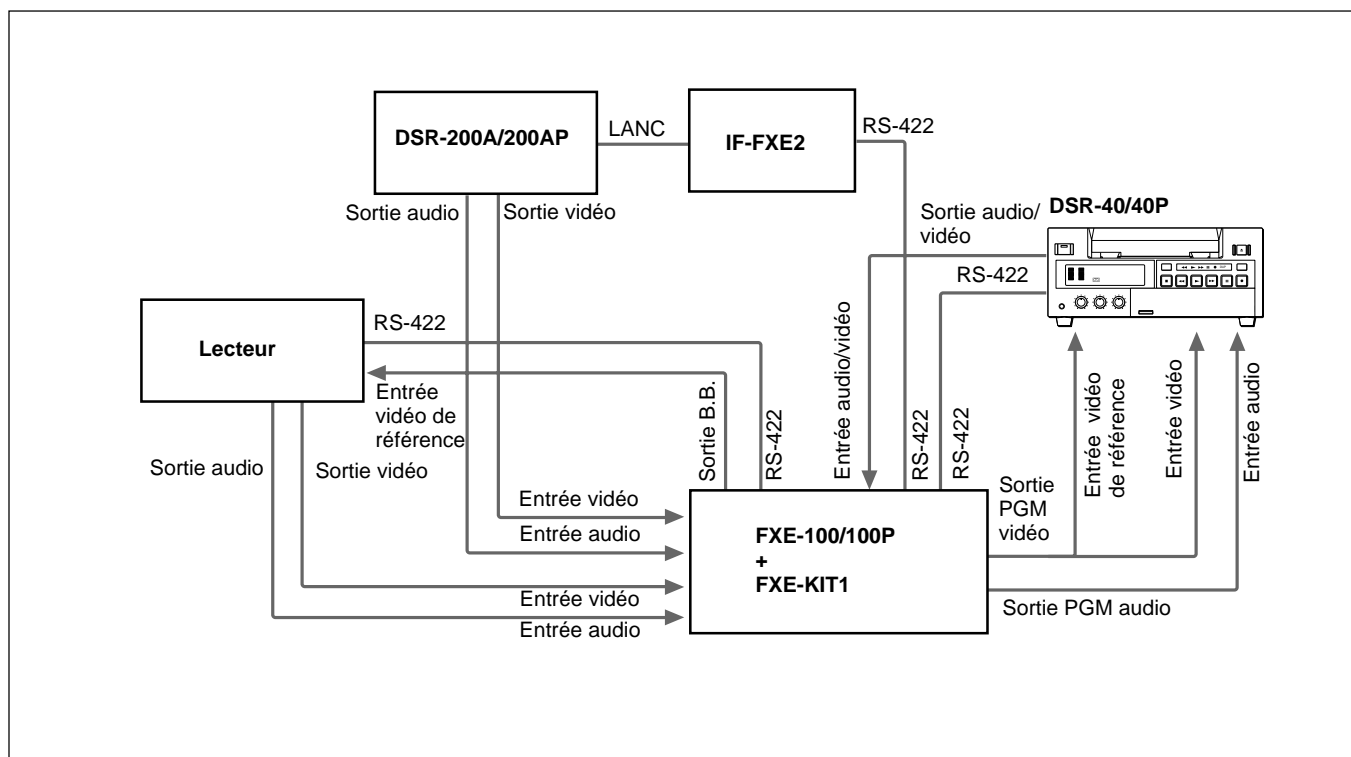
Pour plus de détails sur l'utilisation et les connexions, reportez-vous au mode d'emploi fourni avec les appareils du système.

### Remarques

#### Si vous utilisez cet appareil comme enregistreur:

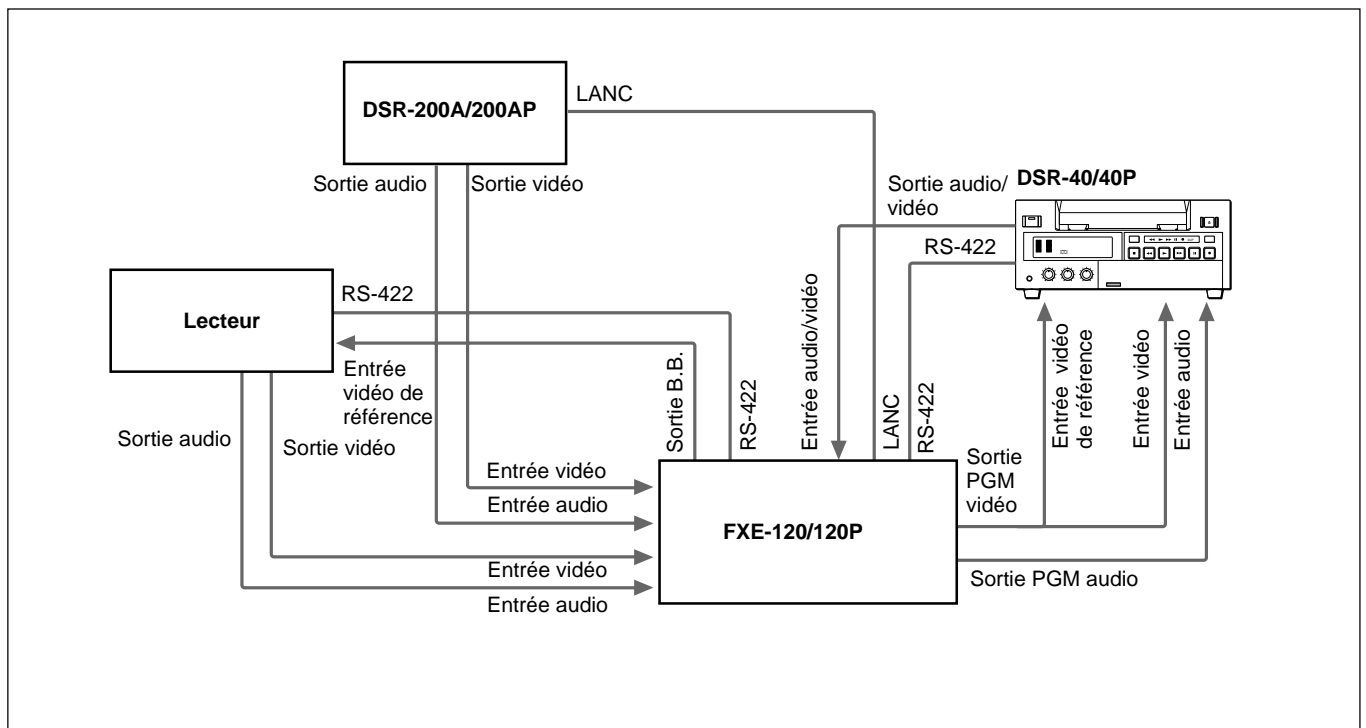
- Vous ne pouvez pas exécuter de montage audio/vidéo par insertion.
- Si vous utilisez l'appareil comme enregistreur avec le FXE-120/120P, seul le montage par assemblage est disponible.
- Ajustez la précision du montage (voir page 40).
- Réglez RECORDER MODE sur FXE RECORDER.
- Si vous utilisez l'appareil comme enregistreur avec un FXE-100/100P, le FXE-KIT1 est nécessaire pour mettre à niveau le FXE-100/100P.
- La précision de montage n'est pas garantie. Si la durée est très courte, il se peut que l'enregistrement ne fonctionne pas correctement.
- Exécutez la fonction LEARN. Si vous n'utilisez pas l'appareil pendant une longue période, vous devez également exécuter cette fonction.
- Si vous exécutez la commande REC via RS-422A, cela retarde le début de l'enregistrement d'environ cinq minutes.
- Réglez RECORDER sur OTHERS sous le paramètre 102 du menu SETUP (112: si vous utilisez un FXE-100/100P mis à niveau avec le FXE-KIT1), REMOTE INTERFACE du FXE-120/120P.

#### Si vous utilisez cet appareil comme enregistreur avec un FXE-100/100P (mis à niveau avec le FXE-KIT1)



# Utilisation de l'appareil comme enregistreur avec un FXE-100/100P/120/120P

Si vous utilisez cet appareil comme enregistreur avec un FXE-120/120P



# Modification des réglages de menu

Ce magnétoSCOPE possède plusieurs fonctions et vous pouvez les régler et les vérifier sur l'écran du moniteur. **Avant toute utilisation, réglez l'heure à l'aide du menu CLOCK SET.**

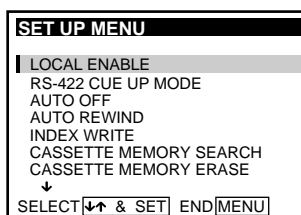
Vous pouvez changer les réglages de menu sur l'écran SET UP MENU. Si nécessaire, modifiez les réglages manuellement.

## Modification des réglages du menu SET UP MENU

Suivez les instructions ci-dessous pour modifier les réglages.

**1** Appuyez sur MENU.

Le menu SET UP MENU apparaît sur l'écran du moniteur.



**2** Appuyez sur  $\uparrow/\downarrow$  pour sélectionner l'option que vous désirez modifier et appuyez sur SET.

Chaque option du menu apparaît sur l'écran du moniteur (*voir le tableau ci-dessous*).

**3** Appuyez sur  $\uparrow/\downarrow$  pour modifier le réglage et appuyez sur SET.

Le menu disparaît de l'écran du moniteur.

Pour annuler les réglages de menu, appuyez de nouveau sur MENU.

## Contenu du menu

Les réglages initiaux apparaissent en gras.

| Options de menu    | Réglez cette option sur                             | Description des réglages   |
|--------------------|---|--|
| LOCAL ENABLE       | <b>ALL DISABLE</b><br><br>STOP & EJECT<br><br>EJECT | <ul style="list-style-type: none"> <li>• Si le commutateur REMOTE/LOCAL est réglé sur REMOTE, toutes les touches de commande de transport de la cassette transport (panneau frontal/télécommande) sont désactivées.</li> <li>• Si le commutateur REMOTE/LOCAL est réglé sur REMOTE, seules les touches STOP et EJECT (panneau frontal/télécommande) sont activées.</li> <li>• Si le commutateur REMOTE/LOCAL est réglé sur REMOTE, seule la touche EJECT (panneau frontal) est activée.</li> </ul> |
| RS-422 CUE-UP MODE | <b>WITH VIDEO</b><br><br>WITHOUT VIDEO              | <ul style="list-style-type: none"> <li>• Pendant une recherche avec un appareil raccordé au connecteur REMOTE, l'image de recherche est affichée.</li> <li>• N'affiche pas l'image de recherche. (La vitesse de recherche est plus rapide qu'avec WITH VIDEO.)</li> </ul>  |

## Modification des réglages de menu

| Options de menu                  | Réglez cette option sur                           | Description des réglages  |
|----------------------------------|---|---|
| AUTO OFF                         | ON<br>OFF   | <ul style="list-style-type: none"> <li>Pour éteindre le magnétoscope automatiquement s'il n'est pas utilisé et si la cassette est arrêtée pendant une heure (Auto Off).</li> <li>Pour désactiver Auto Off.</li> </ul>   |
| AUTO REWIND                      | ON<br>OFF   | <ul style="list-style-type: none"> <li>Pour rebobiner la bande automatiquement jusqu'au début si la cassette arrive en fin de bande (Auto Rewind).</li> <li>Pour désactiver Auto Rewind.</li> </ul>   |
| INDEX WRITE                      | AUTO<br>OFF                                       | <ul style="list-style-type: none"> <li>Pour enregistrer des signaux d'index lorsqu'un enregistrement commence.</li> <li>Pour ne pas enregistrer des signaux d'index.</li> </ul>   |
| CASSETTE MEMORY SEARCH           | AUTO<br>OFF                                       | <ul style="list-style-type: none"> <li>Pour rechercher les enregistrements au moyen de la mémoire de cassette. Si la cassette ne dispose pas d'une mémoire de cassette, le magnétoscope recherchera les enregistrements à l'aide de signaux d'index enregistrés sur la cassette même.</li> <li>Pour rechercher des enregistrements à l'aide de signaux d'index enregistrés sur la cassette.</li> </ul>  |
| CASSETTE MEMORY ERASE            | ALL DATA<br>INDEX DATA<br>DATE DATA<br>PHOTO DATA | <ul style="list-style-type: none"> <li>Pour effacer toutes les données de la mémoire de cassette. (Lorsque vous utilisez une cassette dont la mémoire peut enregistrer plus de 16 Kbits de données, vous ne pouvez sélectionner que ALL DATA.)</li> <li>Pour effacer les données d'index de la mémoire de cassette.</li> <li>Pour effacer les données de date de la mémoire de cassette.</li> <li>Pour effacer les données de photo dans la mémoire de cassette.</li> </ul> |
| PHOTO PB                         | FIELD<br>FRAME                                    | <ul style="list-style-type: none"> <li>Pour éviter que l'image ne tremble lors de la lecture d'une cassette enregistrée en mode photo.</li> <li>Pour visualiser une image claire lors de la lecture d'une image fixe.</li> </ul> <p><b>Remarque</b><br/>Lorsque FRAME est activé, il se peut que l'image enregistrée en mode photo soit floue.</p>  |
| DV EE OUT                        | ON<br>OFF   | <ul style="list-style-type: none"> <li>Pour sortir les signaux d'entrée de ligne sélectionnés via la prise DV.</li> <li>Pour sortir uniquement les signaux audio et vidéo de lecture via la prise DV.</li> </ul>  |
| DISPLAY POSITION                 | CENTER<br>LOWER RIGHT<br>OFF                      | <ul style="list-style-type: none"> <li>Pour afficher le compteur de bande au centre de l'écran du moniteur.</li> <li>Pour afficher le compteur de bande dans la partie inférieure droite de l'écran du moniteur.</li> <li>Ne pas afficher le compteur de cassette.</li> </ul>   |
| CAUTION DISPLAY                  | ON<br>OFF   | <ul style="list-style-type: none"> <li>Pour afficher les messages d'alarme sur l'écran du moniteur.</li> <li>Pour ne pas afficher les messages d'erreur.</li> </ul>   |
| BEEP                             | ON<br>OFF   | <ul style="list-style-type: none"> <li>Pour émettre un bip sonore lorsqu'une opération erronée est effectuée.</li> <li>Pour désactiver le bip.</li> </ul>   |
| TIME CODE<br>(DSR-40 uniquement) | AUTO<br>NDF<br>DF                                 | <ul style="list-style-type: none"> <li>Pour régler le code temporel sur le même que celui déjà enregistré sur la cassette.</li> <li>Pour régler le code temporel sur système d'image non désynchronisée.</li> <li>Pour régler le code temporel sur système d'image désynchronisée.</li> </ul> <p><b>Remarque</b><br/>Si vous utilisez AUTO et commencez l'enregistrement au début de la cassette, le code temporel est réglé sur système d'image non désynchronisée.</p>    |
| PREROLL TIME SELECT              | 3SEC<br>5SEC<br>7SEC<br>10SEC                     | La durée de rembobinage de l'amorce peut être réglée sur quatre valeurs entre 3 et 10 secondes. Si un contrôleur de montage comme le PVE-500 a été raccordé, ce réglage est désactivé et le réglage du contrôleur de montage a la priorité. Le réglage de la durée de rembobinage de l'amorce est également exécuté sur le contrôleur de montage.   |
| AFTER CUE-UP                     | STOP<br>STILL                                     | <ul style="list-style-type: none"> <li>Après une recherche, l'appareil informe le contrôleur de montage qu'il se trouve en mode d'arrêt. (En réalité, l'appareil se trouve en mode d'arrêt sur image.)</li> <li>Après une recherche, l'appareil passe en mode d'arrêt sur image.</li> </ul>   |

| Options de menu                      | Réglez cette option sur                 | Description des réglages   |
|--------------------------------------|---|--|
| PB STILL DELAY                       | <b>0FRAME – 10FRAME</b>                 | La temporisation d'arrêt de lecture peut être réglée sur 11 niveau entre 0 et 9 images. Vous pouvez régler le délai au terme duquel l'appareil repasse du mode d'arrêt sur image au mode de lecture.   |
| RECORDER MODE                        | <b>NORMAL PLAYER<br/>FXE RECORDER</b>   | <ul style="list-style-type: none"> <li>• Pour utiliser l'appareil comme lecteur normal.</li> <li>• Pour utiliser l'appareil comme enregistreur avec un FXE-120/120P dans un système.</li> </ul>  |
| STILL TIMER                          | <b>8SEC – 4MIN</b>                      | Vous pouvez régler la durée au terme de laquelle le mode d'arrêt sur image ou de pause est désactivé pour protéger la cassette. Sélectionnez la durée sur 6 niveaux entre 8 secondes et 4 minutes.   |
| NEXT MODE FROM STILL                 | <b>STEP FWD<br/><br/>STB OFF</b>        | <ul style="list-style-type: none"> <li>• Par avancer le bande d'une image lorsque la durée réglée pour STILL TIMER est écoulée, en mode d'arrêt sur l'image.</li> <li>• Pour mettre l'appareil en mode de désactivation de veille à partir du mode d'arrêt sur image, lorsque la durée réglée pour STILL TIMER est écoulée.</li> </ul>   |
| H PHASE COARSE <sup>a)</sup>         | —                                       | Pour un réglage approximatif de la phase de synchro. <sup>b)</sup>   |
| H PHASE FINE <sup>a)</sup>           | —                                       | Pour un réglage précis de la phase de synchro. <sup>b)</sup>   |
| SC 0/180 <sup>a)</sup>               | <b>0DEG<br/>180DEG</b>                  | Pour un réglage approximatif de la phase de sous-porteuse. <sup>b)</sup>   |
| SC PHASE <sup>a)</sup>               | —                                       | Pour un réglage précis de la phase de sous-porteuse. <sup>b)</sup>   |
| PB COMPONENT Y LEVEL <sup>a)</sup>   | —                                       | Ajuste le niveau du signal Y du signal composante en mode de lecture. <sup>b)</sup>  |
| PB COMPONENT B–Y LEVEL <sup>a)</sup> | —                                       | Ajuste le niveau du signal B–Y du signal composante en mode de lecture. <sup>b)</sup>  |
| PB COMPONENT R–Y LEVEL <sup>a)</sup> | —                                       | Ajuste le niveau du signal R–Y du signal composante en mode de lecture. <sup>b)</sup>  |
| COMPOSITE B–Y GAIN <sup>a)</sup>     | —                                       | Ajuste le niveau de gain du signal B–Y du signal composite en mode de lecture. <sup>b)</sup>   |
| COMPOSITE R–Y GAIN <sup>a)</sup>     | —                                       | Ajuste le niveau de gain du signal R–Y du signal composite en mode de lecture. <sup>b)</sup>   |
| AUDIO MIX BALANCE                    | —                                       | Si vous réglez le commutateur AUDIO MONITOR sur MIX, vous pouvez sélectionner précisément la balance entre les canaux 1/2 et 3/4 en cinq paliers.  |
| AUDIO MODE                           | <b>Fs48k<br/><br/>Fs32k</b>             | <ul style="list-style-type: none"> <li>• Pour régler le mode audio sur le mode 2 canaux (mode 16 bits). Ce mode utilise l'intégralité de la zone audio pour enregistrer une piste stéréo. Vous obtenez ainsi une meilleure qualité sonore.</li> <li>• Pour régler le mode audio sur le mode 4 canaux (mode 12 bits). Ce mode sépare la zone audio en 2 parties. Vous pouvez enregistrer deux sortes de signaux audio: stéréo 1 et stéréo 2. Lors d'un enregistrement sur ce magnétoscope, les signaux audio sont enregistrés uniquement dans les canaux 1/2.</li> </ul>  |
| JOG WITH SOUND                       | <b>ON<br/>OFF</b>                       | <ul style="list-style-type: none"> <li>• Pour écouter le son lors de la lecture d'une cassette à différentes vitesses.</li> <li>• Pour couper le son pendant la lecture d'une cassette à différentes vitesses.</li> </ul>  |
| HOURS METER                          | <b>DRUM ROTATION<br/><br/>THREADING</b> | <p>L'indicateur numérique des heures conserve les comptages cumulés du temps de rotation du tambour d'enregistrement et du nombre d'opérations de non-défilement. Ces comptages peuvent être affichés sur l'écran du moniteur et ne peuvent être réinitialisés.</p> <ul style="list-style-type: none"> <li>• Le nombre total d'heures cumulées de rotation du tambour avec le défilement de la bande s'affiche par incréments de 10 heures.</li> <li>• Le nombre cumulé d'opérations de non-défilement de la bande s'affiche par incréments de 10 opérations.</li> </ul> |
| CLOCK SET                            | —                                       | Régler l'horloge de ce magnétoscope de sorte que la durée d'enregistrement puisse être inscrite dans le signal d'index. A l'aide des touches $\uparrow/\downarrow$ et SET, réglez la date et l'heure.  |

a) Le symbole ● apparaît sur l'écran du moniteur lorsque la valeur est réglée sur "0."

b) Ajustez la valeur à l'aide des touches  $\uparrow/\downarrow$ .

# Modification des réglages de menu

## Réglages recommandés dans le menu SET UP

Suivant la position du commutateur REMOTE/LOCAL, réglez les options de menu comme suit:

| Options de menu               | Par défaut    | REMOTE                           | LOCAL      |
|-------------------------------|---------------|----------------------------------|------------|
| LOCAL ENABLE                  | ALL DISABLE   | Par défaut                       | Par défaut |
| RS-422 CUE-UP MODE            | WITH VIDEO    | Par défaut                       | Par défaut |
| AUTO OFF                      | OFF           | OFF                              | ON         |
| AUTO REWIND                   | ON            | OFF                              | ON         |
| INDEX WRITE                   | AUTO          | Par défaut                       | Par défaut |
| CASSETTE MEMORY SEARCH        | AUTO          | Par défaut                       | Par défaut |
| CASSETTE MEMORY ERASE         | ALL DATA      | Par défaut                       | Par défaut |
| PHOTO PB                      | FIELD         | Par défaut                       | Par défaut |
| DV EE OUT                     | OFF           | Par défaut                       | Par défaut |
| DISPLAY POSITION              | LOWER RIGHT   | Par défaut                       | Par défaut |
| CAUTION DISPLAY               | ON            | Par défaut                       | Par défaut |
| BEEP                          | ON            | Par défaut                       | Par défaut |
| TIME CODE (DSR-40 uniquement) | AUTO          | Par défaut                       | Par défaut |
| PREROLL TIME SELECT           | 7 SEC         | Par défaut                       | Par défaut |
| AFTER CUE-UP                  | STOP          | Suivant le contrôleur de montage | Par défaut |
| PB STILL DELAY                | 0 FRAME       | Par défaut                       | Par défaut |
| RECORDER MODE                 | NORMAL PLAYER | Suivant le contrôleur de montage | Par défaut |
| STILL TIMER                   | 8 SEC         | 4 MIN                            | Par défaut |
| NEXT MODE FROM STILL          | STB OFF       | STEP FWD                         | Par défaut |
| H PHASE COARSE                | –             | Suivant le système de montage    | Par défaut |
| H PHASE FINE                  | –             | Suivant le système de montage    | Par défaut |
| SC 0/180                      | 0 DEG         | Suivant le système de montage    | Par défaut |
| SC PHASE                      | –             | Suivant le système de montage    | Par défaut |
| PB COMPONENT Y LEVEL          | –             | Suivant le système de montage    | Par défaut |
| PB COMPONENT B-Y LEVEL        | –             | Suivant le système de montage    | Par défaut |
| PB COMPONENT R-Y LEVEL        | –             | Suivant le système de montage    | Par défaut |
| COMPOSITE B-Y GAIN            | –             | Suivant le système de montage    | Par défaut |
| COMPOSITE R-Y GAIN            | –             | Suivant le système de montage    | Par défaut |
| AUDIO MIX BALANCE             | –             | Par défaut                       | Par défaut |
| AUDIO MODE                    | Fs48k         | Par défaut                       | Par défaut |
| JOG WITH SOUND                | ON            | ON                               | OFF        |

- **Par défaut:** Réglez l'option de menu en fonction de votre utilisation; vous pouvez employer le réglage par défaut.
- **Suivant le contrôleur de montage:** Réglez l'option de menu en fonction de votre appareil.
- **Suivant le système de montage:** Réglez l'option de menu en fonction de votre système.



# Messages d'alarme

Différents messages apparaissent sur l'écran du moniteur ("Err" apparaît sur la fenêtre d'affichage). Vérifiez leur signification au moyen de la liste suivante.

| Message  | Signification / Remède   |
|--|--|
| PLEASE CONFIRM THE SAFETY SWITCH OF THE CASSETTE | Vérifiez que le sélecteur de protection fait apparaître la portion rouge. → Faites coulisser le sélecteur de protection dans l'autre sens ( <i>voir page 8</i> ).  |
| NO CASSETTE MEMORY                               | Vous avez essayé d'effacer la mémoire de la cassette alors qu'il n'y a pas de mémoire de cassette.   |
| VCR IS RECORDING                                 | Vous appuyez sur une certaine touche d'exploitation en cours d'enregistrement ou de montage.   |
| PLEASE INSERT A NEW CASSETTE                     | Bien qu'aucune cassette ne soit introduite dans le compartiment à cassette, vous appuyez sur PLAY, etc. → Introduisez une cassette.  |
| THE TAPE IS REWOUND                              | Vous appuyez sur REW au début de la cassette.  |
| PLEASE REWIND OR INSERT A NEW CASSETTE           | Vous tentez de démarrer la lecture ou l'enregistrement à la fin de la cassette. → Rebobinez la cassette ou introduisez une nouvelle cassette.  |
| PLEASE SET THE CLOCK                             | Lorsque vous avez mis l'appareil sous tension, vous n'avez pas réglé l'horloge. → Réglez l'horloge dans le menu ( <i>voir page 53</i> ).   |
| THIS PROGRAM IS COPYRIGHT PROTECTED              | Vous tentez de dupliquer une cassette protégée par des signaux de droits d'auteur.   |
| CASSETTE MEMORY IS TOO LARGE TO ERASE            | Vous avez essayé d'effacer des données sur une cassette offrant une capacité de mémoire de plus de 16 Kbits en mode INDEX DATA, DATE DATA ou PHOTO DATA. → Effacez-les en mode ALL DATA ( <i>voir page 52</i> ). |
| WRITING ON CASSETTE MEMORY. PLEASE WAIT          | Vous effectuez certaines opérations pendant que le magnétoscope écrit dans la mémoire de cassette. → Effectuez ces opérations une fois l'écriture dans la mémoire de cassette terminée.                          |
| VCR IS IN DUP MODE                               | Vous appuyez sur une certaine touche d'exploitation en cours de duplication.   |

# Dépannage

| Symptômes  | Cause / Remède   |
|--|--|
| L'appareil ne se met pas sous tension.   | La fiche d'alimentation est déconnectée. → Branchez la fiche.  |
| L'appareil ne fonctionne pas même lorsqu'il est sous tension.  | <ul style="list-style-type: none"> <li>• Le commutateur REMOTE/LOCAL est réglé sur REMOTE. → Réglez-le sur LOCAL (voir page 13).</li> <li>• De la condensation d'humidité s'est produite. → Mettez l'appareil hors tension et déconnectez la fiche d'alimentation. Après environ une minute, rebranchez la fiche et remettez l'appareil sous tension. → Laissez l'appareil sous tension et attendez environ une heure.</li> <li>• La cassette n'a pas été introduite correctement. → Introduisez-la correctement.</li> </ul> |
| L'appareil ne peut être commandé avec les touches de l'appareil.   | Le commutateur REMOTE/LOCAL est réglé sur REMOTE. → Réglez-le sur LOCAL (voir page 13).  |
| Impossible d'éjecter la cassette.  | Le commutateur REMOTE/LOCAL est réglé sur REMOTE. → Réglez-le sur LOCAL (voir page 13).  |
| Impossible d'introduire la cassette, ou elle est directement éjectée.  | <ul style="list-style-type: none"> <li>• De la condensation d'humidité s'est formée sur le tambour de la tête. → Attendez environ une heure.</li> <li>• La cassette n'a pas été introduite correctement. → Introduisez-la correctement.</li> </ul>   |
| Pas d'image.   | Les têtes vidéo sont encrassées. → Nettoyez les têtes vidéo avec la cassette de nettoyage fournie.   |
| Des parasites apparaissent sur l'écran.  | <ul style="list-style-type: none"> <li>• Vous avez introduit une cassette endommagée. → Introduisez une autre cassette.</li> <li>• Les têtes vidéo sont encrassées. → Nettoyez les têtes vidéo avec la cassette de nettoyage fournie.</li> </ul>   |
| Pas d'image via la prise DV.   | Rebranchez un câble i.LINK (câble de connexion DV) (non fourni).   |
| Le son comporte des parasites.   | Vous avez introduit une cassette endommagée. → Introduisez une autre cassette.   |
| La lecture démarre automatiquement lorsque l'appareil est mis sous tension.  | Le commutateur TIMER est réglé sur REPEAT. → Réglez-le sur OFF (voir page 13).   |
| Le menu ne s'affiche pas.  | Raccordez le moniteur vidéo sur le connecteur MONITOR.   |
| Impossible de mettre l'appareil hors tension.  | Le commutateur REMOTE/LOCAL est réglé sur REMOTE. → Réglez-le sur LOCAL (voir page 13).  |
| Le point de montage se décale.   | La précision du montage n'a pas été réglée. → Ajustez la précision du montage (voir page 40).  |
| Lorsque vous entrez un signal S-vidéo ou composite, l'appareil ne peut sortir de signal composite en mode EE.  | Il ne s'agit pas d'un dysfonctionnement.   |
| La lecture n'est pas synchronisée avec le signal vidéo de référence lorsque vous entrez un signal DV.  | Il ne s'agit pas d'un dysfonctionnement. → Sélectionnez S-vidéo ou vidéo lorsque vous effectuez une lecture synchronisée avec un signal de synchro externe.  |
| La pause est désactivée automatiquement.   | Le mode de pause est automatiquement désactivé pour protéger la cassette sauf en cours de montage (voir page 53).  |
| La commande jog ne fonctionne pas après avoir avancé rapidement la bande magnétique jusqu'au bout de la cassette avec l'appareil raccordé au connecteur REMOTE (si le commutateur TIMER est réglé sur REPEAT). | Il ne s'agit pas d'un dysfonctionnement. → Rembobinez la cassette avec une touche de transport de cassette.  |
| La fonction de répétition automatique est inopérante.  | <ul style="list-style-type: none"> <li>• Les 20 premières secondes du début de la cassette ne sont pas disponibles pour la fonction de répétition automatique. → Enregistrez pendant plus de 20 secondes.</li> <li>• Le commutateur TIMER est réglé sur OFF. → Réglez-le sur REPEAT.</li> </ul>  |
| Des parasites se produisent en cours de copie via la prise DV.   | Un signal d'entrée autre qu'un signal normal est entré. → Réglez l'entrée sur l'entrée DV.   |
| Impossible de commander l'appareil avec l'appareil raccordé au connecteur REMOTE après la mise hors tension (si AUTO OFF est réglé sur ON).  | Il ne s'agit pas d'un dysfonctionnement. → Remettez-le sous tension. → Réglez AUTO OFF sur OFF.  |
| La sélection du signal d'entrée n'est pas disponible.  | Vous ne pouvez pas sélectionner l'entrée en cours de lecture ou en mode de pause de lecture. → Arrêtez la lecture et sélectionnez l'entrée.  |
| La fonction de duplication est inopérante.   | Vous reproduisez une cassette de format DV. → Reproduisez une cassette DVCAM ou effectuez un enregistrement normal.  |
| La précision de montage est faible via la connexion DV.  | Le montage à l'aide d'un raccordement DV n'est pas garanti.  |

# Remarques sur l'utilisation

## Remarques sur le magnétoscope

### Ne placez pas cet appareil dans un endroit exposé aux rayons directs du soleil ou aux sources de chaleur

Si c'est le cas, le châssis, les composants mécaniques, etc., risquent d'être endommagés.

### N'installez pas cet appareil dans un lieu excessivement chaud

Si l'appareil est abandonné dans un véhicule stationné avec les vitres fermées (en été tout particulièrement), son châssis risque d'être endommagé et il ne pourra plus fonctionner correctement.

### Si l'appareil est transporté directement d'un endroit frais à un endroit chaud

De l'humidité peut se condenser à l'intérieur de l'appareil et endommager la tête vidéo et la bande. Si vous utilisez l'appareil dans un endroit exposé aux courants d'air d'un climatiseur, de l'humidité peut également se condenser à l'intérieur de l'appareil.

### Ne placez pas d'objets lourds sur l'appareil

Cela pourrait endommager le châssis ou le magnétoscope pourrait ne plus fonctionner correctement.

### Manipulez l'enregistreur avec soin

Évitez toute manipulation sauvage ou des chocs mécaniques.

### Pour éviter d'endommager le châssis

Le plastique est souvent utilisé comme surface de finition de l'appareil. Ne vaporisez pas de solvant volatil comme un insecticide en direction du châssis et ne placez pas de produits en caoutchouc ou en vinyle sur le châssis pendant trop longtemps, car cela peut endommager la surface de finition du châssis ou faire disparaître son revêtement.

### Ne nettoyez pas le châssis avec du diluant ou du benzène

Cela peut endommager la surface de finition du châssis ou faire disparaître son revêtement. Lorsque vous utilisez un chiffon imprégné de substances chimiques, utilisez-le conformément aux instructions l'accompagnant.

### Nettoyez le châssis avec un chiffon sec et doux

Lorsque le châssis est très sale, nettoyez-le avec un chiffon sec et doux légèrement imbibé d'une solution détergente neutre et terminez avec un chiffon sec.

### Ne placez pas d'objets magnétiques à proximité de l'appareil

Les champs magnétiques peuvent endommager un enregistrement précieux.

### Vérifiez les têtes vidéo toutes les 1000 heures d'utilisation

Un magnétoscope est un appareil comportant des pièces de haute précision parce qu'il enregistre et reproduit l'image sur une bande magnétique. En particulier, la tête vidéo et d'autres composants mécaniques s'encrassent et s'usent. Pour conserver une image claire, nous recommandons un entretien toutes les 1000 heures, bien que les conditions d'utilisation diffèrent en fonction de la température, de l'humidité, de la poussière, etc.

## Nettoyage des têtes vidéo

Si les têtes vidéo sont encrassées, les images ne peuvent plus être enregistrées convenablement ou les images lues comportent des parasites. Si le phénomène suivant se produit, utilisez la cassette de nettoyage (fournie) pour nettoyer les têtes.

- L'image lue comporte des parasites en forme de carré.
- Une partie de l'image lue ne bouge pas.
- L'image lue n'apparaît pas à l'écran.

Symptômes provoqués par un encrassement des têtes vidéo



Image normale



Si ces images apparaissent à l'écran, utilisez la cassette de nettoyage.

## Remarques sur l'utilisation

### Utilisation de la cassette de nettoyage

Reportez-vous au mode d'emploi de la cassette de nettoyage.

Après une utilisation prolongée, les têtes vidéo peuvent être usées. Si une qualité d'image optimale n'est pas restaurée même après avoir nettoyé les têtes vidéo à l'aide de la cassette de nettoyage, il est possible que les têtes vidéo soient usées. Dans ce cas, vous devez remplacer les têtes vidéo par des neuves. Adressez-vous à votre revendeur Sony.

### Remarques sur les cassettes vidéo

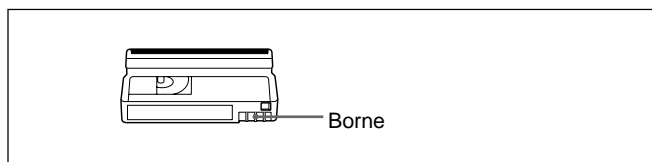
#### Si la fonction de mémoire de cassette n'est pas opérante

Réintroduisez la cassette quelques fois. Il se peut que la borne soit poussiéreuse ou sale.

#### Nettoyage de la borne

Si la borne de la cassette est encrassée, ou si la poussière adhère à la borne, le magnétoscope risque de ne pas fonctionner correctement.

Nettoyez le connecteur à l'aide d'un coton-tige après avoir éjecté la cassette une dizaine de fois.



#### Pose d'une étiquette sur la cassette

Veillez à coller l'étiquette uniquement à l'endroit indiqué dans l'illustration de manière à éviter tout dysfonctionnement du magnétoscope.

#### Après avoir utilisé une cassette

Après l'utilisation, rebobinez la cassette jusqu'au début (pour éviter toute déformation du son et de l'image). Remettez-la dans son boîtier et conservez-la en position verticale.

### A propos de la condensation

Si l'appareil ou la cassette est transporté sans transition d'un endroit froid à un endroit chaud, l'humidité peut former de la condensation à l'intérieur comme à l'extérieur de l'appareil ou de la cassette. Si vous utilisez un appareil ou une cassette présentant de la condensation, la cassette peut coller au tambour

d'enregistrement, provoquant de ce fait une dégradation des têtes vidéo ou de la cassette ou un dysfonctionnement.

La condensation se forme généralement dans les conditions suivantes:

- L'appareil est transporté de l'extérieur où il fait froid vers une pièce chauffée.
- L'appareil est transporté d'une pièce climatisée vers l'extérieur où il fait chaud.
- L'appareil est utilisé dans un endroit exposé aux courants d'air d'un climatiseur.

Lorsque vous transportez l'appareil d'un endroit froid dans un endroit chaud ou inversement, mettez-le dans un sac en plastique et refermez le sac hermétiquement. Une fois dans l'endroit de destination, laissez le sac pendant environ une heure, puis retirez l'appareil du sac lorsque la température de l'air à l'intérieur du sac a atteint la température environnante.

#### Si de la condensation s'est formée

Vous ne pouvez pas exploiter l'appareil, à l'exception d'une pression sur EJECT. Si vous introduisez une cassette, elle est éjectée automatiquement. Dans ce cas, mettez l'appareil sous tension, attendez environ une heure que la condensation s'évapore.

### Indicateur numérique des heures

L'indicateur numérique des heures conserve les comptages cumulés du temps de rotation du tambour d'enregistrement et du nombre d'opérations de non-défilement. Ces comptages peuvent être affichés sur l'écran du moniteur. Utilisez-les comme indication pour votre programme d'entretien.

En général, adressez-vous à votre revendeur Sony pour connaître les vérifications d'entretien périodiques nécessaires.

L'indicateur numérique des heures offre les deux modes d'affichage suivants et vous pouvez les vérifier dans le menu HOURS METER (voir page 53).

#### • Mode DRUM ROTATION

Le nombre total d'heures cumulées de rotation du tambour avec le défilement de la bande s'affiche par incréments de 10 heures.

#### • Mode THREADING

Le nombre cumulé d'opérations de non-défilement de la bande s'affiche par incréments de 10 opérations.

---

## Fonction d'autodiagnostic

L'appareil est équipé d'une fonction d'autodiagnostic qui empêche tout dysfonctionnement du magnéscope. Un numéro de service à deux chiffres apparaît dans la fenêtre d'affichage. Dans ce cas, consultez le tableau suivant.

| Message | Symptôme  | Remède   |
|---------|---|--|
| 32      | Pour éviter tout dysfonctionnement de l'appareil, la fonction d'auto-diagnostic s'est enclenchée. | <ul style="list-style-type: none"><li>• Débranchez le cordon d'alimentation. Après l'avoir rebranché, faites fonctionner l'appareil.</li><li>• Retirez la cassette et mettez l'appareil sous/hors tension.</li></ul> |
| 21      | De la condensation d'humidité s'est produite.   | Retirez la cassette et laissez l'appareil pendant au moins 1 heure.  |

Si vous ne parvenez pas à résoudre le problème, consultez votre revendeur Sony ou un centre de service après-vente Sony agréé et communiquez-leur le numéro.

# Spécifications

## Systeme

Format d'enregistrement

DVCAM, balayage hélicoïdal à 2 têtes, enregistrement composante numérique

Signal vidéo

DSR-40: EIA STANDARD, système couleur NTSC

DSR-40P: CCIR STANDARD, système couleur PAL

## Vidéo

Quantification 8-bit

Fréquence de standardisation

DSR-40: 13,5 MHz (composante 4:1:1)

DSR-40P: 13,5 MHz (composante 4:2:0)

## Audio

Quantification 12-bit (non linéaire) ou 16-bit (linéaire)

Fréquence de standardisation

32 kHz (enregistrement 12 bit) ou 48 kHz (enregistrement 16 bit)

Cassettes utilisables

Cassettes DVCAM standard et minicassettes DVCAM

Durée d'enregistrement

184 minutes (avec une cassette PDV-184ME)

40 minutes (avec une cassette PDVM-40ME)

## Horloge

A quartz

DSR-40: affichage au format 12 heures

DSR-40P: affichage au format 24 heures

Réserve d'alimentation

Condensateur intégré autorechargeable

Durée d'autonomie: 100 heures maximum (Après 8 heures de charge)

## Entrées et sorties

INPUT

S VIDEO: Mini DIN à 4 broches  
Signal de luminance: 1 Vcc (75 ohms asymétrique)  
Signal de chrominance: 0,286 Vcc (DSR-40) 0,3 Vcc (DSR-40P) (75 ohms asymétrique)

MONITOR

VIDEO: Type BNC

Signal d'entrée: 1 Vcc (75 ohms asymétrique)

AUDIO: Prise phono (L, R)

Niveau d'entrée: 2 Vrms (bit intégral)

Impédance d'entrée: supérieure à 47 kohms

VIDEO: Type BNC

Signal de sortie: 1 Vcc (75 ohms asymétrique)

AUDIO CH1/3: Prise phono

Niveau de sortie: 2 Vrms (bit intégral)

Impédance de sortie: moins de 10 kohms

AUDIO CH2/4: Prise phono

Niveau de sortie: 2 Vrms (bit intégral)

Impédance de sortie: moins de 10 kohms

OUTPUT

S VIDEO: Mini DIN à 4 broches

Signal de luminance: 1 Vcc (75 ohms asymétrique)

Signal de chrominance: 0,286 Vcc (DSR-40)

0,3 Vcc (DSR-40P)

(75 ohms asymétrique)

VIDEO: Type BNC 1 Vcc

(75 ohms asymétrique)

Y: Type BNC 1 Vcc (75 ohms asymétrique)

R-Y: Type BNC 0,7 Vcc

(75 ohms asymétrique) (DSR-40:

75%, barre de couleur / DSR-

40P: 100%, barre de couleur)

B-Y: Type BNC 0,7 Vcc (75 ohms

asymétrique) (DSR-40: 75%,

barre de couleur / DSR-40P:

100%, barre de couleur)

AUDIO CH1/3: XLR 3 broches,

mâle, +4 dBu, charge de 600 ohms, symétrique.

AUDIO CH2/4: XLR 3 broches,

mâle, +4 dBu, charge de

600 ohms, symétrique.

REF. VIDEO INPUT

Type BNC

1 Vcc (75 ohms asymétrique)

CONTROL S

Miniprise

|        |   |
|--------|---|
| DV     | Prise à 4 broches (i.LINK)  |
| REMOTE | D-sub à 9 broches   |
| PHONES | Miniprise stéréo<br>-2 dBu, 8 ohms, asymétrique<br>(lorsque le volume est réglé sur le maximum) |

|                     |  |
|---------------------|--|
| Masse               | Env. 5 kg  |
| Accessoires fournis | Cordon d'alimentation (1)<br>Cassette de nettoyage (1) |

### Généralités

#### Alimentation électrique

|          |                       |
|----------|-----------------------|
| DSR-40:  | 120 V CA, 60 Hz       |
| DSR-40P: | 220 – 240 V CA, 50 Hz |

#### Consommation électrique

|          |   |
|----------|---|
| DSR-40:  | 40W, 120 V CA, 60 Hz                                |
| DSR-40P: | 40W, 220 – 240 V CA, 50 Hz<br>(en cours de lecture) |

#### Appel de courant de crête

Mesuré conformément à la norme européenne EN55103-1: 12A (230V)

#### Température de fonctionnement

5°C à 40°C

#### Température de stockage

-20°C à +60°C

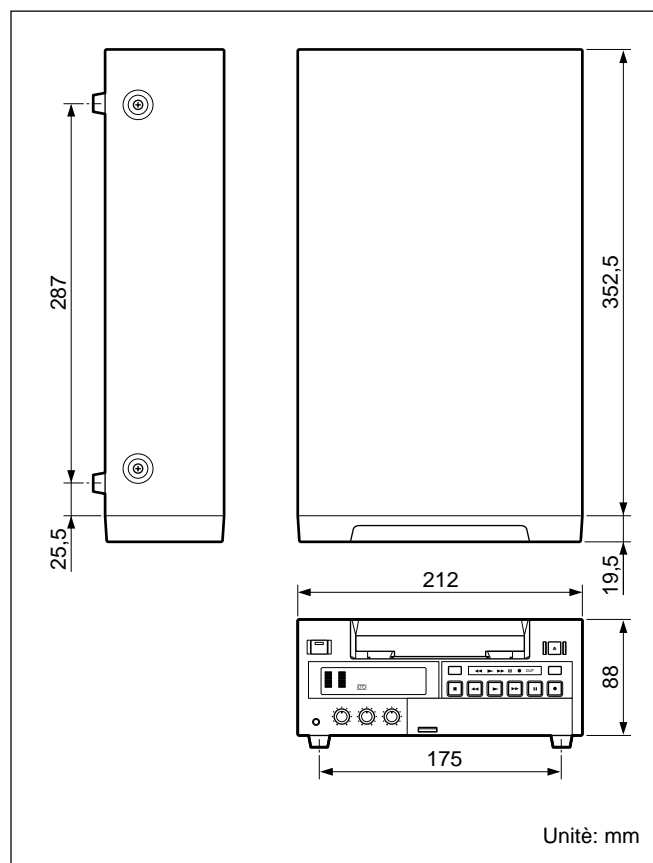
#### Dimensions

Env. 212 × 98 × 392 mm  
(l/h/p, y compris les parties et commandes saillantes)

#### Accessoires en option

Télécommande DSRM-10/20  
Câble de télécommande à 9 broches  
RCC-5G/10G/30G (longueur  
5 m/10 m/30 m)  
Cassette vidéo numérique  
Format standard: PDV-64ME/  
94ME/124ME/184ME  
Miniformat: PDVM-12ME/  
22ME/32ME/40ME

La conception et les spécifications sont sujettes à modifications sans préavis.



# Compatibilité du format DVCAM et DV

Le format DVCAM se présente comme un format plus fiable et de meilleure qualité que le format grand public DV. Voici quelques explications concernant les formats DVCAM et DV: les différences, la compatibilité et les limites de montage.

## Différences entre le format DVCAM et DV

| Paramètre                                 | DVCAM  | DV   |
|---|--|--|
| Entraxe des pistes                        | 15µm   | 10µm   |
| Fréquence d'échantillonnage audio         | 12bit: 32kHz<br>16bit: 48kHz   | 12bit: 32kHz<br>16bit: 32kHz, 44.1kHz, 48kHz |
| Mode d'enregistrement audio <sup>1)</sup> | Mode de verrouillage   | Mode de déverrouillage                       |
| Mode temporel                             | Système d'image désynchronisée (DSR-40 uniquement) ou système d'image non désynchronisée | Système d'image désynchronisée uniquement    |

- 1) Il y a deux modes d'enregistrement audio, le mode de verrouillage et le mode de déverrouillage. En mode de verrouillage, les fréquences d'échantillonnage des pistes audio et vidéo sont synchronisées. En mode de déverrouillage, qui est le mode adopté par le format grand public DV, les deux fréquences d'échantillonnage sont indépendantes. Par conséquent, le mode de verrouillage est plus efficace que le mode de déverrouillage lors d'un traitement numérique et assure une transition douce lors d'un montage audio.

## Cassettes DVCAM et DV

Les deux cassettes DVCAM et DV peuvent être utilisées sur des appareils vidéo DVCAM ou DV. Le format d'enregistrement de l'image est définie en fonction du format de l'enregistreur, comme décrit ci-dessous.

| Format de l'enregistreur | Format de la cassette | Format d'enregistrement |
|--------------------------|-----------------------|-------------------------|
| DVCAM                    | DVCAM<br>DV           | DVCAM                   |
| DV                       | DVCAM<br>DV           | DV                      |

- Ce magnétoscope numérique est compatible avec le format DVCAM. Bien que les cassettes DV puissent être utilisées pour l'enregistrement, nous recommandons l'utilisation de cassettes DVCAM pour tirer le meilleur parti de la haute fiabilité du format DVCAM.
- La durée d'enregistrement des cassettes DV est 2/3 plus courte que celle indiquée sur les cassettes DV.

## Compatibilité à la lecture

Certaines cassettes ne peuvent pas être reproduites sur un équipement vidéo DVCAM ou DV.

| Cassette       | A propos de l'équipement vidéo DV   | A propos de l'équipement vidéo DVCAM                 |
|----------------|---|--|
| Formatée DV    | Lecture possible  | Lecture possible (enregistrée en mode SP uniquement) |
| Formatée DVCAM | Il se peut que certains équipements vidéo DV puissent reproduire une cassette formatée DVCAM. | Lecture possible                                     |



---

## Compatibilité de montage à l'aide d'une connexion DV

Lorsque ce magnétoscope numérique est raccordé à un autre équipement vidéo DVCAM ou DV à l'aide des connecteurs DV, le format d'enregistrement des cassettes de montage est défini en fonction du format de l'enregistreur, comme décrit ci-dessous.

| Cassette source              | Format du lecteur | Format de l'enregistreur | Format enregistré                       |
|------------------------------|-------------------|--------------------------|---|
| Formatée DV <sup>1)</sup>    | DVCAM             | DVCAM<br>DV              | DVCAM <sup>2)</sup><br>DV               |
| Formatée DV                  | DV                | DVCAM<br>DV              | DVCAM <sup>2)</sup><br>DV               |
| Formatée DVCAM <sup>3)</sup> | DVCAM             | DVCAM<br>DV              | DVCAM<br>DV <sup>4)</sup>               |
| Formatée DVCAM <sup>3)</sup> | DV <sup>5)</sup>  | DVCAM<br>DV              | DVCAM <sup>6)</sup><br>DV <sup>4)</sup> |

- 1) Les cassettes formatées DV enregistrées en mode SP uniquement peuvent être utilisées comme cassettes source.
- 2) Lorsque vous copiez une cassette formatée DV au moyen d'un appareil vidéo DVCAM, le format enregistré de la cassette copiée est le format DVCAM suivant.
  - Le mode d'enregistrement audio de la cassette copiée est le mode de déverrouillage.
  - Le code temporel de la cassette copiée est partiellement incorrect.
- 3) Si vous utilisez la cassette formatée DVCAM telle que décrite sous le point 2) ci-dessus, le mode d'enregistrement audio de la cassette enregistrée est le mode de déverrouillage et le code temporel est partiellement incorrect.
- 4) Le mode d'enregistrement audio de la cassette de montage est le mode de verrouillage.
- 5) Il est possible que certains équipements vidéo DV ne puissent pas lire des cassettes formatées DVCAM. Même si la cassette est reproduite, le contenu ne peut pas être garanti.
- 6) En fonction des conditions du signal de la cassette source, il se peut que vous ne puissiez pas effectuer le montage de la cassette à l'aide de la connexion DV.

---

## Limites de montage

Vous serez confrontés aux limites suivantes lors du montage:

- En raison de la différence de l'entraxe des pistes, vous ne pouvez pas effectuer l'enregistrement ou le montage sur des cassettes formatées DV à l'aide d'un appareil vidéo DVCAM.
- En fonction de l'état des signaux, il se peut que vous ne puissiez pas effectuer l'enregistrement ou le montage sur des cassettes formatées DVCAM. Dans ces cas, copiez de nouveau la cassette à l'aide des prises audio/vidéo.

## Amorce

Partie d'une bande vidéo qui précède un point de début de montage permettant à la bande l'atteindre une vitesse stable et d'être synchronisée avec les autres bandes vidéo.

## Arrêt de défilement

Voir "Déchargement".

## Audio PCM

PCM est l'abréviation de "pulse code modulation" (modulation par impulsions codées).

Audio PCM signifie des signaux audio traités par modulation par impulsions codées. Chaque signal audio analogique est converti en impulsions qui sont produites en succession rapide, et chaque impulsion est enregistrée en tant que signal numérique d'une valeur de 0 ou 1.

## Chargement

En cours de chargement, la bande est extraite du boîtier de cassette et défile le long du chemin de la bande spécifié pour être enroulée autour du tambour en vue de l'enregistrement ou de la lecture. En règle générale, cette opération s'effectue automatiquement dès que vous introduisez la cassette dans le magnéscope. On parle également de défilement.

## Code temporel

Signaux enregistrés sur la cassette pour fournir des informations sur la position de la cassette telles que l'heure, les minutes, les secondes et les images afin d'aider au réglage des points de montage ou à la recherche de scènes en particulier. Ce magnéscope accepte les signaux DF (système d'image désynchronisée) et NDF (système d'image non désynchronisée). Sur ce magnéscope, le code temporel est enregistré consécutivement de "00:00:00:00" à partir du début de la cassette. Toutefois, s'il y a une section vierge sur la cassette, le code temporel est réinitialisé et enregistré depuis "00:00:00:00" de nouveau à partir de la section suivant juste la section vierge. Si les codes temporels ne sont pas consécutifs, il est possible que vous ne puissiez plus réaliser un montage correct.

## Condensation

Condensation d'humidité sur les mécanismes de défilement de la bande des magnétoscopes, y compris le tambour d'enregistrement. En cas de condensation d'humidité sur le tambour d'enregistrement, la bande adhère au tambour et provoque un dysfonctionnement.

## Contrôleur de montage

Appareil permettant le contrôle d'un magnéscope, d'un commutateur, d'un mixeur audio, etc. dans un système de montage.

## Déchargement

Lorsqu'elle est déchargée, la bande quitte le chemin de défilement du magnéscope et est remise dans son boîtier. En général, cette opération s'effectue automatiquement dès que vous appuyez sur la touche EJECT. Également appelé Arrêt de défilement.

## Défilement

Reportez-vous à "Chargement".

## EBU

European Broadcasting Union (Union de diffusion européenne)  
Établie par les organisations de diffusion européenne et les organisations associées.

## Mode d'attente activée

Un des deux états du mode d'arrêt. Le tambour tourne et la bande est enroulée autour. Le magnéscope est prêt à enregistrer ou lire, ce qui permet d'obtenir une image fixe.

## Mode d'attente désactivée

Un des deux états du mode d'arrêt. Le tambour ne tourne pas et la bande est détendue. Il n'y a pas d'endommagement des têtes vidéo et de la bande, mais le magnéscope n'est pas prêt à l'enregistrement ou la lecture immédiats.

## Mode d'enregistrement audio

Dans le format DVCAM, le son est enregistré en mode 16 bits (Fs48k) ou 12 bits (Fs32k).

## Mode de recherche

Un mode de fonctionnement de magnéscope utilisé pour rechercher des scènes spécifiques, en visionnant la sortie vidéo ou les valeurs de code de temps pendant la lecture d'une bande à différentes vitesses en avant ou en arrière.

## Mode EE

EE est une abréviation de "Electrique à électrique". Les signaux vidéo et audio sont transmis aux circuits internes du magnéscope, mais ne passent pas par les têtes d'enregistrement.

## Mode système d'image désynchronisée

Dans le format NTSC, le nombre réel d'images par seconde est d'environ 29,97, tandis que celui spécifié par le code temporel SMPTE est de 30. Le mode système d'image désynchronisée est un mode dans lequel le code temporel est avancé de telle sorte que la différence de valeur d'image entre le temps réel et le code temporel est corrigée. Dans ce mode, deux images sont ignorées au début de chaque minute, sauf à chaque dixième minute de sorte que la valeur d'image pour le code temporel corresponde au temps réel. Reportez-vous également à "Mode système d'image non désynchronisée".

## Mode système d'image non désynchronisée

Mode d'avance du code temporel de sorte que la différence de valeur d'image entre le temps réel et le code temporel soit négligeable. L'utilisation de ce mode produit une différence d'environ 86 secondes par jour entre le temps réel et le code temporel, ce qui peut provoquer des problèmes lors du montage de programmes en unités de secondes à l'aide du nombre d'images comme référence.

## Mode 12 bits (Fs32k)

Dans le format DVCAM, le mode 12 bits (Fs32k) sépare la zone audio en 2 parties. Vous pouvez enregistrer deux sortes de signaux audio: stéréo 1 et stéréo 2.

## Mode 16 bits (Fs48k)

Dans le format DVCAM, le mode 16 bits (Fs48k) utilise l'intégralité de la zone audio pour enregistrer une piste stéréo. Vous obtenez ainsi une meilleure qualité sonore.

## Montage à roulement A/B

Une méthode de montage qui utilise deux magnétoscopes de lecture ou plus pour créer des effets spéciaux tels que fondu enchaîné et fondu effacé, et un magnéscope enregistreur pour enregistrer les résultats du montage. L'emploi d'un contrôleur de montage permet de contrôler efficacement les magnétoscopes et un montage très précis.

### **Montage linéaire**

Montage pendant la lecture de signaux vidéo et audio enregistrés sur la bande vidéo. *Egalement voir* "Montage non-linéaire".

### **Montage non-linéaire**

Montage pendant la lecture de signaux vidéo et audio enregistrés sur des disques durs. Les scènes vidéo enregistrées sur les disques peuvent être repérées facilement pour augmenter l'efficacité du montage. Reportez-vous aussi à "Montage linéaire".

### **Servoverrouillage**

Synchronisation de la phase de rotation du tambour et de la phase de transport de la bande à un signal de référence pendant la lecture ou l'enregistrement de sorte que les têtes vidéo balaient la bande de la même manière pendant la lecture et l'enregistrement.

### **Signal B-Y**

Un signal de chrominance défini en soustrayant le signal Y (luminance) du signal B (bleu). Un des signaux composants.

### **Signal composante**

Signal vidéo consistant en un signal de luminance (Y) et deux signaux de chrominance (R-Y, B-Y).

### **Signal composite**

Signal vidéo composite contenant des signaux vidéo, des signaux de salve et de synchro.

### **Signal de chrominance**

Signal couleur contenant des informations de couleur telles que teinte et saturation. *Egalement appelé* signal C.

### **Signal de luminance**

Le signal qui détermine la luminosité de l'image. *Egalement appelé* signal Y. Un des signaux composants.

### **Signal de synchro**

Signal de référence consistant en des signaux de synchronisation verticale et horizontale utilisés pour synchroniser la fréquence de balayage d'une caméra vidéo et d'un moniteur.

### **Signal R-Y**

Un signal de chrominance défini par soustraction du signal Y (luminance) du signal R (rouge). Un des signaux composants.

### **Signal vidéo de référence**

Signal vidéo consistant en un signal de synchro ou en des signaux de synchro et de salve, utilisés comme référence.

### **SMPTE**

Society of Motion Picture and Television Engineers (Société des ingénieurs de la télévision et du cinéma)

Établie par des organisations de diffusion et des organisations associées aux États-Unis.

### **S/N**

Abréviation de Signal-to-Noise (rapport signal/bruit). Plus la valeur S/N est grande, plus le bruit est faible et plus la qualité d'image est bonne.

### **Sous-porteuse**

Une onde sinusoïdale imposée sur la partie luminance du signal vidéo et modulée pour porter des informations de couleur. Son amplitude représente la saturation couleur et sa phase, la teinte.

### **Surimpression**

Faculté de faire apparaître un jeu de caractères sur une image tout en permettant de la visualiser.

### **S-video**

Un format de signal dans lequel les signaux Y (luminance) et C (chrominance) sont séparés pour réduire l'interférence entre eux, de manière à reproduire des images sans bruit.

### **Tambour de tête**

Un cylindre de métal auquel une tête vidéo est attachée. Cet tambour tourne à grande vitesse en synchronisation avec le signal de synchro pendant l'enregistrement et la lecture.

### **TBC**

Abréviation de "Time Base Corrector". Des circuits électroniques pour stabiliser électriquement les signaux de lecture en éliminant la variation des couleurs et le roulement dans l'image lue provoqués par l'irrégularité de rotation du tambour et du mouvement de la bande. La correction de la base de temps réduit la détérioration de la qualité de l'image pendant la transmission ou la copie des signaux lus.

# Index

## A, B, C

|                               |        |
|-------------------------------|--------|
| Cassette DVCAM standard ..... | 8      |
| Cassette utilisable .....     | 8      |
| Code temporel .....           | 64     |
| Compteur de temps .....       | 11, 13 |
| Contrôleur de montage .....   | 31     |

## D, E

|                            |            |
|----------------------------|------------|
| Données de caméscope ..... | 20         |
| Drop Frame .....           | 64         |
| Duplication .....          | 28         |
| DV                         |            |
| cassette .....             | 62         |
| format .....               | 62         |
| prise .....                | 15, 16, 23 |
| DVCAM                      |            |
| cassette .....             | 8, 62      |
| format .....               | 62         |

## F, G

|             |    |
|-------------|----|
| Fs32k ..... | 53 |
| Fs48k ..... | 53 |

## H

|               |    |
|---------------|----|
| Horloge ..... | 53 |
|---------------|----|

## I, J, K

|                   |    |
|-------------------|----|
| i.LINK .....      | 15 |
| Indicateurs ..... | 20 |

## L

|                              |    |
|------------------------------|----|
| Lecture                      |    |
| à différentes vitesses ..... | 20 |
| image par image .....        | 20 |

## M

|                              |    |
|------------------------------|----|
| Mémoire de cassette .....    | 8  |
| Menu .....                   | 51 |
| Minicassette DVCAM .....     | 8  |
| Mode audio .....             | 11 |
| Mode de déverrouillage ..... | 62 |
| Mode de verrouillage .....   | 62 |

## N, O

|                      |    |
|----------------------|----|
| Nettoyage .....      | 57 |
| Non Drop Frame ..... | 62 |

## P, Q

|  |    |
|--|----|
| Phase de sous-porteuse, alignement .....       | 45 |
| Phase de synchro, ajustement .....             | 45 |
| Précision, synchronisation de<br>montage ..... | 40 |
| Programmeur AC .....                           | 21 |

## R

|  |    |
|--|----|
| Raccordements                                      |    |
| moniteur vidéo .....                               | 39 |
| signal de contrôle .....                           | 37 |
| signal vidéo de référence .....                    | 36 |
| signaux vidéo .....                                | 38 |
| système de contrôle audio .....                    | 36 |
| système de montage à roulement<br>A/B .....        | 35 |
| système de montage de coupures ....                | 33 |
| système de montage non-linéaire<br>numérique ..... | 32 |
| Recherche .....                                    | 20 |
| Recherche de date .....                            | 20 |
| Recherche d'index .....                            | 20 |
| Recherche de photo .....                           | 20 |
| Répétition automatique .....                       | 21 |

## S

|  |    |
|--|----|
| Signal vidéo de référence .....                    | 36 |
| Signaux de contrôle .....                          | 37 |
| SIRCS .....  | 6  |
| Système de contrôle audio .....                    | 36 |
| Système de montage                                 |    |
| à roulement A/B .....                              | 35 |
| de coupures .....                                  | 33 |
| non-linéaire numérique .....                       | 32 |
| Système de montage à roulement A/B ...             | 35 |
| Système de montage de coupures .....               | 33 |
| Système de montage non-linéaire<br>numérique ..... | 32 |

## T, U, V, W, X, Y, Z

|                     |    |
|---------------------|----|
| Temps restant ..... | 11 |
|---------------------|----|